

ZF 3HP22, 4HP22H, EH & A

3 & 4 SPEED FWD, RWD & 4WD (Hydraulic & Electronic Control)

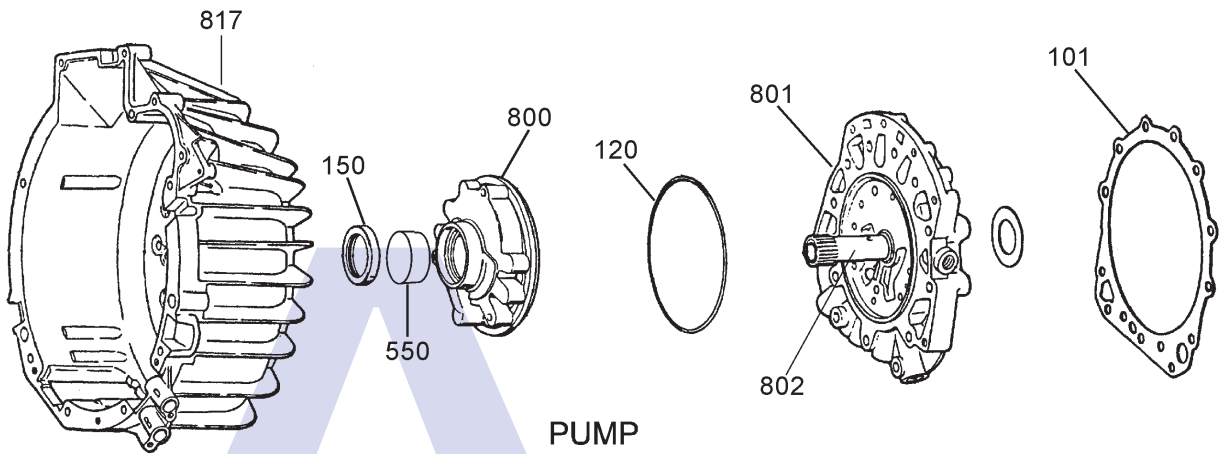


AUTOMATIC CHOICE



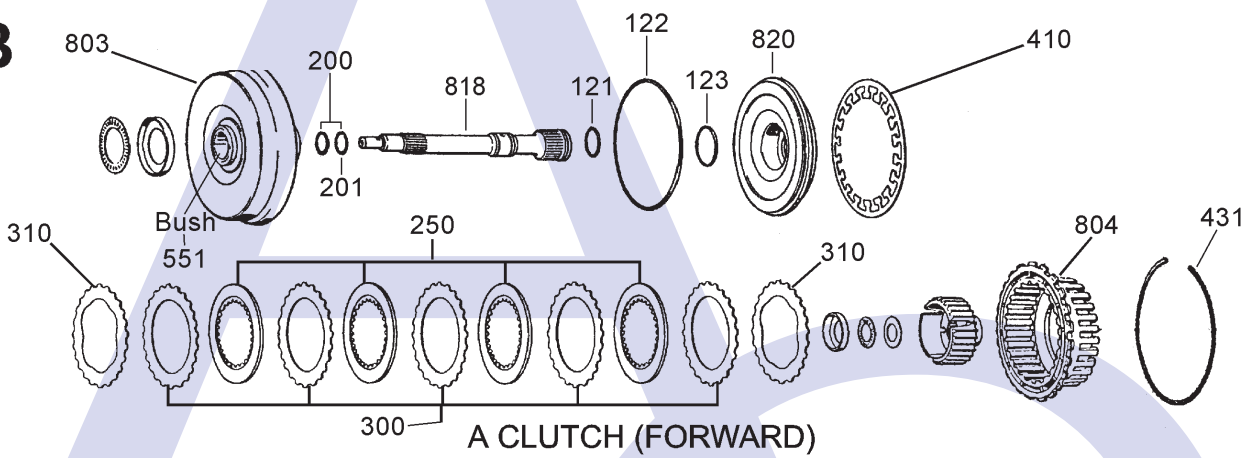
THE AUTOMATIC TRANSMISSION PARTS WAREHOUSE

A



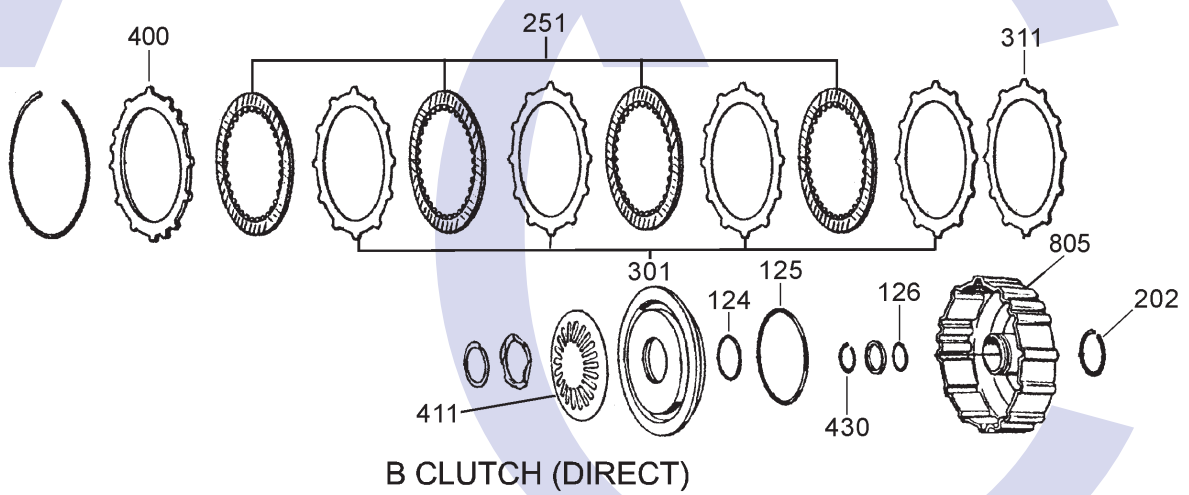
PUMP

B



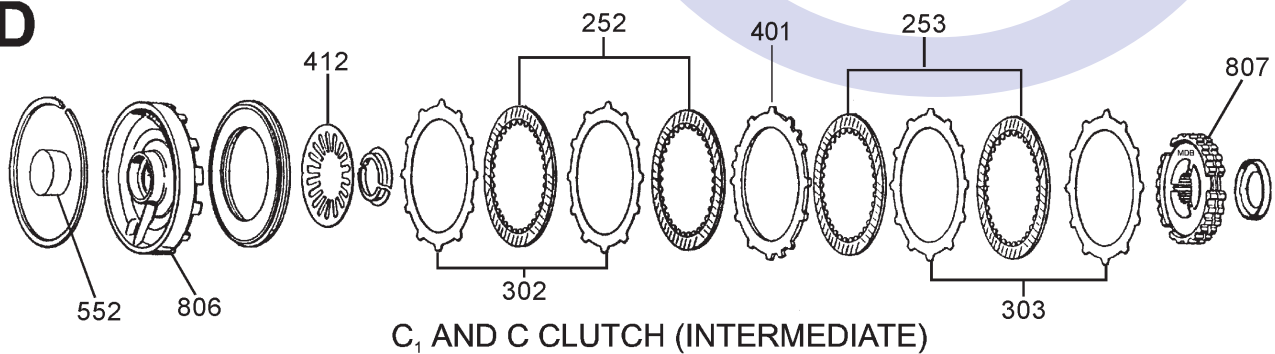
A CLUTCH (FORWARD)

C



B CLUTCH (DIRECT)

D



C₁ AND C CLUTCH (INTERMEDIATE)

ZF 3HP22, 4HP22H, EH & A

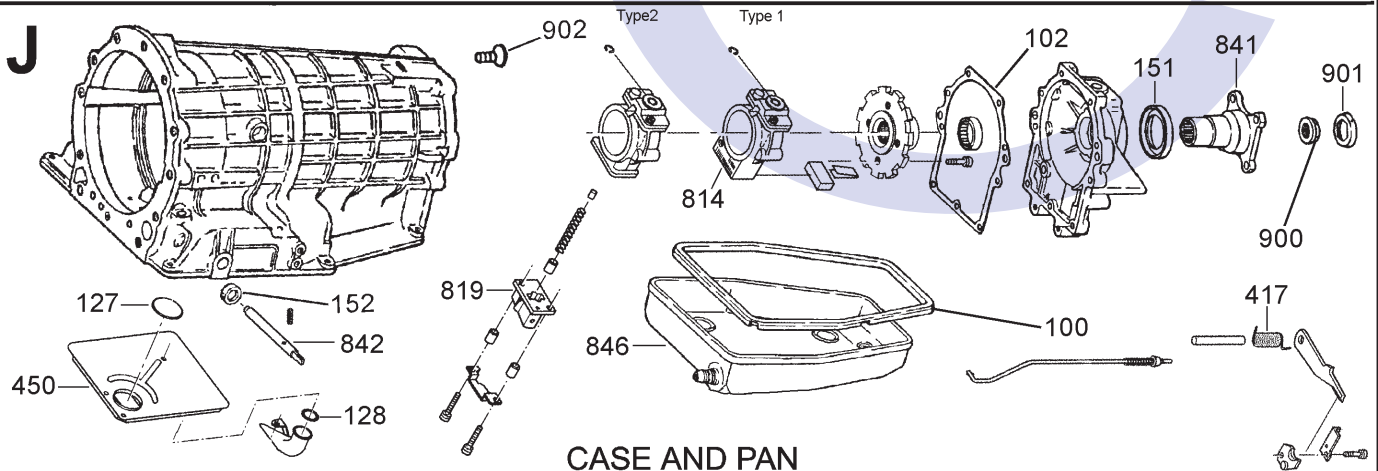
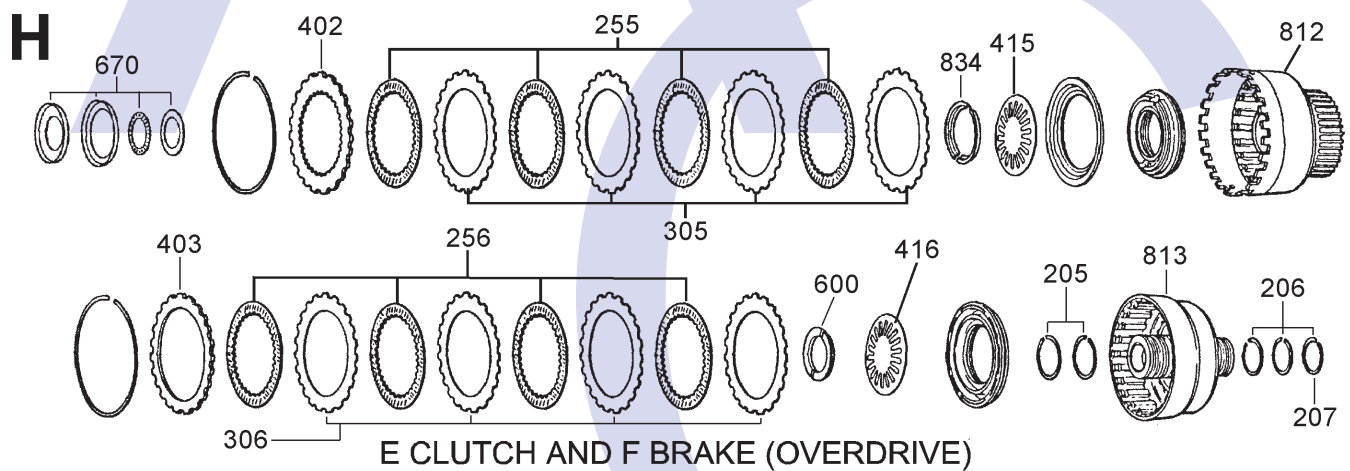
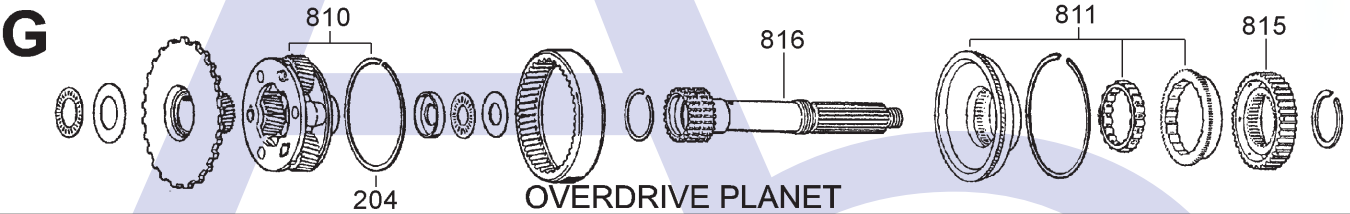
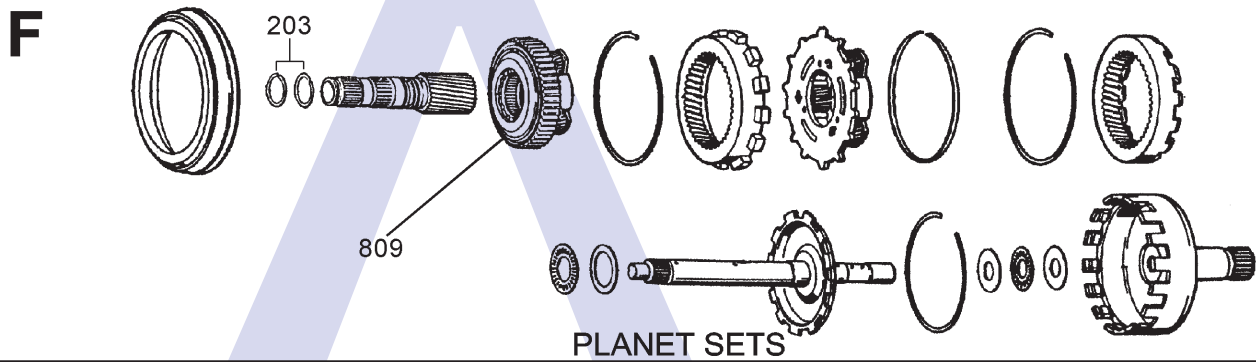
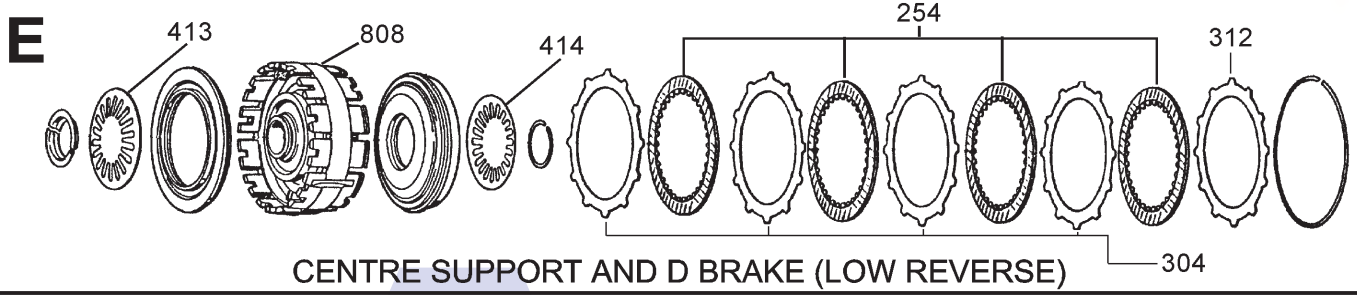
3 & 4 SPEED FWD, RWD & 4WD (Hydraulic & Electronic Control)



AUTOMATIC CHOICE



THE AUTOMATIC TRANSMISSION PARTS WAREHOUSE



ZF 3HP22, 4HP22H, EH & A

3 & 4 SPEED FWD, RWD & 4WD (Hydraulic & Electronic Control)



AUTOMATIC CHOICE



THE AUTOMATIC TRANSMISSION PARTS WAREHOUSE

| ILL NO. | DESCRIPTION | YEARS | QTY | PART NO |
|--------------------------|------------------------------------------------------------------------------------------------------------------------------------------------------------------|-------|-----|--------------------|
| KITS | | | | |
| Kit | Overhaul Kit 3HP22 (Transtec) (BMW, Peugeot, Fiat)..... | 75-ON | 1 | 3HP22.OHK01 |
| Kit | Overhaul Kit 3HP22 (Precision) (BMW, Peugeot, Fiat)..... | 75-ON | 1 | 3HP22.OHK51 |
| Kit | Overhaul Kit 3HP22 (OEM) (BMW)..... | 75-ON | 1 | 3HP22.OHK03 |
| Kit | Overhaul Kit 3HP22 (Citroen FWD)..... | 75-ON | 1 | NLA |
| Kit | Overhaul Kit 4HP22H/EH (Transtec)..... | 83-ON | 1 | 4HP22.OHK03 |
| Kit | Overhaul Kit 4HP22H/EH (Precision)..... | 83-ON | 1 | 4HP22.OHK51 |
| Kit | Overhaul Kit 4HP22H (OEM) (BMW, Peugeot, Volvo, Jaguar)..... | 83-ON | 1 | 4HP22.OHK02 |
| Kit | Overhaul Kit 4HP22EH (OEM) (BMW, Jaguar)..... | 87-ON | 1 | 4HP22.OHK05 |
| Kit | Overhaul Kit 4HP22H (OEM) (Land/Range Rover)..... | 83-ON | 1 | 4HP22.OHK04 |
| Kit | Overhaul Kit 4HP22EH (OEM) (Land/Range Rover)..... | 94-ON | 1 | 4HP22.OHK06 |
| Kit | Clutch Kit, 'A' Clutch (POWERPACK™ Alto)..... | 83-ON | 1 | 4HP22.CK51 |
| GASKETS | | | | |
| 100J | Pan Gasket (3HP22)..... | 75-ON | 1 | 3HP22.GAS01 |
| 100J | Pan Gasket (4HP22)..... | 83-ON | 1 | 4HP22.GAS01 |
| NI | Stator to Case (3HP22)..... | 75-ON | 1 | 3HP22.GAS04 |
| 101A | Stator to Case (4HP22)..... | 83-ON | 1 | 4HP22.GAS02 |
| 101A | Stator to Case (4HP22 OEM) ... | 83-ON | 1 | 4HP22.GAS22 |
| 102J | Extension Housing (4HP22)..... | 83-ON | 1 | 4HP22.GAS03 |
| NI | Valve Body Cover (3HP22) (Citroen FWD)..... | 75-ON | 1 | 3HP22.GAS02 |
| NI | Side Cover (3HP22) (Citroen FWD)..... | 75-ON | 1 | 3HP22.GAS03 |
| NI | Valve Body Gasket (3HP22) (Citroen FWD)..... | 75-ON | 1 | 3HP22.GAS05 |
| NI | Filter Gasket (3HP22 RWD)..... | 75-ON | 1 | 3HP22.GAS06 |
| NI | Bell Housing Gasket (3HP22) (Citroen FWD)..... | 75-ON | 1 | 3HP22.GAS08 |
| NI | Valve Body Gasket (4HP22H) (Box Code Required)..... | 83-ON | 1 | 4HP22.GAS04 |
| NI | Valve Body Gasket (4HP22H) (Box Code Required)..... | 83-ON | 1 | 4HP22.GAS05 |
| NI | Valve Body Gasket (4HP22EH) (Box Code Required)..... | 87-ON | 1 | 4HP22.GAS06 |
| NI | Valve Body Gasket (4HP22EH) (Box Code Required)..... | 87-ON | 1 | 4HP22.GAS07 |
| NI | Valve Body Gasket (4HP22EH) (Box Code Required)..... | 94-ON | 1 | 4HP22.GAS08 |
| RUBBER COMPONENTS | | | | |
| 120A | Pump 'O' Ring..... | 75-ON | 1 | 4HP22.OR03 |
| 121B | Input Shaft 'O' Ring..... | 83-ON | 1 | 4HP22.OR14 |
| 122B | 'A' Clutch Outer 'O' Ring..... | 83-ON | 1 | 4HP22.OR01 |
| 123B | 'A' Clutch Inner 'O' Ring..... | 83-ON | 1 | 4HP22.OR12 |
| 124C | 'B' Clutch Inner 'O' Ring..... | 83-ON | 1 | 4HP22.OR12 |
| 125C | 'B' Clutch Outer 'O' Ring..... | 83-ON | 1 | 4HP22.OR06 |
| 125C | 'B' Clutch Outer 'O' Ring Codes: 1043 010 152, 153, 161, 209, 325, 327, 328, 344, 388, 390, 415, 416, 608, 610, 694, 713, 740, 765, 767, 773) | 83-ON | 1 | 5HP19.OR09 |
| 126C | 'B' Clutch to Sun Shaft 'O' Ring..... | 83-ON | 1 | 4HP22.OR14 |
| 127J | Filter to Valve Body 'O' Ring..... | 83-ON | 1 | 4HP22.OR11 |
| 128J | Lower Spout 'O' Ring (L.Rov) ... | 83-ON | 1 | 4HP22.OR19 |
| NI | 'F' Brake Outer 'O' Ring..... | 83-ON | 1 | 4HP22.OR04 |

| ILL NO. | DESCRIPTION | YEARS | QTY | PART NO |
|----------------------------------|---------------------------------------------------------------------------------------------------------------------------------------------------------------------------|-------|-----|-----------------------|
| RUBBER COMPONENTS Cont... | | | | |
| NI | 'F' Brake Inner 'O' Ring..... | 83-ON | 1 | 4HP22.OR07 |
| NI | 'C1' Brake Inner 'O' Ring..... | 83-ON | 1 | 4HP22.OR05 |
| NI | Output Shaft 'O' Ring..... | 83-ON | 1 | 4HP22.OR15 |
| NI | 'D' Brake Cushion Rubber (Some Models)..... | 85-ON | 1 | 4HP22.CUS01 |
| NI | V. Body to Case Seal 3HP22 | 75-ON | 4 | 4HP22.RUB01 |
| NI | V. Body to Case Seal 4HP22 | 83-ON | 8 | 4HP22.RUB01 |
| NI | V. Body to Case Seal Angled ... | 83-ON | 1 | 4HP22.RUB02 |
| NI | Angled Rubber Spacer Kit..... | 83-ON | 1 | 4HP22.RK01 |
| NI | Rubber Spacer & Clip Kit (For Valve Body)..... | 83-ON | 1 | 4HP22.RK02 |
| METAL CLAD SEALS | | | | |
| 150A | Front Pump Body (OEM)..... | 75-ON | 1 | 3HP22.MCS01 |
| 150A | Front Pump Body (AM)..... | 75-ON | 1 | 3HP22.MCS51 |
| 151J | Extension Housing (OEM)..... | 75-ON | 1 | 3HP22.MCS02 |
| 151J | Extension Housing (AM)..... | 75-ON | 1 | 3HP22.MCS52 |
| 152J | Selector Shaft..... | 75-ON | 1 | 3HP22.MCS03 |
| NI | Differential 3HP22 FWD..... | 75-ON | 2 | 3HP22.MCS04 |
| NI | Transfer Case Range Rover | 85-94 | 2 | TF8.MCS05 |
| NI | Transfer Case Range Rover Later Chain Driven Unit (70mm OD x 48mm ID)..... | 94-ON | 2 | 4HP22.MCS06 |
| SEALING RINGS | | | | |
| Kit | Sealing Ring Kit 3HP22..... | 75-ON | 1 | 3HP22.SRK01 |
| Kit | Sealing Ring Kit 4HP22..... | 85-ON | 1 | 4HP22.SRK01 |
| Kit | Sealing Ring Kit 4HP22 (With Teflon Modification)..... | 85-ON | 1 | 4HP22.SRK02 |
| 200B | Input Shaft (Metal OEM)..... | 85-ON | 2 | 4HP22.SSR01 |
| 201B | Input Shaft Rear (Teflon*)..... | 85-ON | 1 | 4HP22.SSR08 |
| 202C | 'B' Clutch Drum (OEM)..... | 85-ON | 1 | 4HP22.SSR02 |
| 203F | Sun Gear Shaft (OEM)..... | 85-ON | 2 | 4HP22.SSR03 |
| 204G | Planetary Set (OEM)..... | 85-ON | 1 | 4HP22.SSR07 |
| 205H | 'F' Brake to 'E' Clutch (OEM) | 85-ON | 2 | 4HP22.SSR04 |
| 206H | 'F' Brake to Governor Assy (Rubber OEM)..... | 85-ON | 3 | 4HP22.SSR06 |
| 207H | 'F' Brake to Park Ring (Metal) (EH Models Only)..... | 87-ON | 1 | 4HP20.SSR02 |
| * See ATSG Bullitin 91-70 | | | | |
| FRICITION PLATES | | | | |
| Kit | Friction Plate (3HP22) (Alto)..... | 75-84 | 1 | 3HP22.FRK51 |
| Kit | Friction Plate (4HP22)..... | 83-ON | 1 | 4HP22.FRPKIT01 |
| Kit | Friction Plate (4HP22) (Alto)..... | 83-ON | 1 | 4HP22.FRK51 |
| 250B | 'A' Clutch (Forward)..... | 75-ON | 4-6 | 3HP22.FRP21 |
| 250B | 'A' Clutch (Forward) (Alto)..... | 75-ON | 4-6 | 3HP22.FRP51 |
| 251C | 'B' Clutch (Third & Reverse)..... | 75-ON | 3-4 | 3HP22.FRP22 |
| 251C | 'B' Clutch (Third & Rev) (Alto) ... | 75-ON | 3-4 | 3HP22.FRP52 |
| 252D | 'C1' Brake (Intermediate & Overrun)..... | 75-ON | 2 | 3HP22.FRP22 |
| 252D | 'C1' Brake (Intermediate & Overrun) (Alto)..... | 75-ON | 2 | 3HP22.FRP52 |
| 253D | 'C' Brake (Intermediate)..... | 75-ON | 2 | 3HP22.FRP22 |
| 253D | 'C' Brake (Intermediate) (Alto) ... | 75-ON | 2 | 3HP22.FRP52 |
| 254E | 'D' Brake..... | 75-ON | 4-6 | 3HP22.FRP23 |
| 254E | 'D' Brake (Alto)..... | 75-ON | 4-6 | 3HP22.FRP53 |
| 254E | 'D' Brake (58 Teeth Following Box Codes Only) (1043 010 728, 739, 740, 747, 748, 749, 759, 760, 761, 762, 763, 764, 765, 766, 767, 768, 769, 770, 771, 773, 774) | 75-ON | 5 | 4HP24.FRP22 |
| 255H | 'E' Clutch (Overdrive Clutch)..... | 83-ON | 3-4 | 4HP22.FRP11 |
| 256H | 'F' Brake (Overdrive Brake)..... | 83-ON | 3-4 | 4HP22.FRP11 |

ZF 3HP22, 4HP22H, EH & A

3 & 4 SPEED FWD, RWD & 4WD (Hydraulic & Electronic Control)



AUTOMATIC CHOICE



THE AUTOMATIC TRANSMISSION PARTS WAREHOUSE

| ILL NO. | DESCRIPTION | YEARS | QTY | PART NO |
|-------------------------------|--------------------------------------------------------------------------------------------------------------------|-------|-----|--------------------|
| STEEL PLATES | | | | |
| Kit | Steel Plate (3HP22) (Alto)..... | 75-84 | 1 | 3HP22.STK51 |
| Kit | Steel Plate (4HP22) | 83-ON | 1 | 4HP22.STK01 |
| Kit | Steel Plate (4HP22) (Alto)..... | 83-ON | 1 | 4HP22.STK51 |
| 300B | 'A' Clutch Selective (2.10mm) ... | 75-ON | AR | 3HP22.STP08 |
| 300B | 'A' Clutch Selective (1.80mm) ... | 75-ON | AR | 3HP22.STP02 |
| 300B | 'A' Clutch Selective (1.50mm) ... | 75-ON | AR | 3HP22.STP06 |
| 300B | 'A' Clutch Selective (1.20mm) ... | 75-ON | AR | 3HP22.STP09 |
| 301C | 'B' Clutch Selective (2.10mm) ... | 75-ON | AR | 3HP22.STP04 |
| 301C | 'B' Clutch Selective (1.80mm) ... | 75-ON | AR | 3HP22.STP03 |
| 301C | 'B' Clutch Selective (1.50mm) ... | 75-ON | AR | 3HP22.STP05 |
| 301C | 'B' Clutch Selective (1.20mm) ... | 75-ON | AR | 4HP22.STP03 |
| 302D | 'C1' Brake Selective (2.10mm) .. | 75-ON | AR | 3HP22.STP04 |
| 302D | 'C1' Brake Selective (1.80mm) .. | 75-ON | AR | 3HP22.STP03 |
| 302D | 'C1' Brake Selective (1.50mm) .. | 75-ON | AR | 3HP22.STP05 |
| 302D | 'C1' Brake Selective (1.20mm) .. | 75-ON | AR | 4HP22.STP03 |
| 303D | 'C' Brake Selective (2.10mm) | 75-ON | AR | 3HP22.STP04 |
| 303D | 'C' Brake Selective (1.80mm) | 75-ON | AR | 3HP22.STP03 |
| 303D | 'C' Brake Selective (1.50mm) | 75-ON | AR | 3HP22.STP05 |
| 303D | 'C' Brake Selective (1.20mm) | 75-ON | AR | 4HP22.STP03 |
| 304E | 'D' Brake Selective (2.10mm) | 75-ON | AR | 3HP22.STP04 |
| 304E | 'D' Brake Selective (1.80mm) | 75-ON | AR | 3HP22.STP03 |
| 304E | 'D' Brake Selective (1.50mm) | 75-ON | AR | 3HP22.STP05 |
| 304E | 'D' Brake Selective (1.20mm) | 75-ON | AR | 4HP22.STP03 |
| 304E | 'D' Brake (1.20mm) (Following Box Codes Only) | | | |
| | (1043 010 728, 739, 740, 747, 748, 749, 759, 760, 761, 762, 763, 764, 765, 766, 767, 768, 769, 770, 771, 773, 774) | | | |
| | | 75-ON | 5 | 4HP24.STP01 |
| 305H | 'E' Clutch (1.50mm)..... | 83-ON | 4-5 | 4HP22.STP02 |
| 306H | 'F' Brake (2.00mm)..... | 83-ON | 3-4 | 4HP22.STP01 |
| 310B | 'A' Clutch Waved (1.00mm)..... | 75-ON | 2 | 3HP22.STP01 |
| 310B | 'A' Clutch Waved (1.60mm)..... | 75-ON | 2 | 3HP22.STP07 |
| 311C | 'B' Clutch Waved..... | 83-ON | 1 | 4HP22.STP06 |
| 312E | 'D' Brake Selective (1.20mm) | | | |
| | (Following Box Codes Only) | | | |
| | (1043 010 728, 739, 740, 747, 748, 749, 759, 760, 761, 762, 763, 764, 765, 766, 767, 768, 769, 770, 771, 773, 774) | | | |
| | | 75-ON | AR | 4HP24.STP01 |
| 312E | 'D' Brake Selective (1.50mm) | | | |
| | (Following Box Codes Only) | | | |
| | (1043 010 728, 739, 740, 747, 748, 749, 759, 760, 761, 762, 763, 764, 765, 766, 767, 768, 769, 770, 771, 773, 774) | | | |
| | | 75-ON | AR | 4HP24.STP02 |
| 312E | 'D' Brake Selective (1.80mm) | | | |
| | (Following Box Codes Only) | | | |
| | (1043 010 728, 739, 740, 747, 748, 749, 759, 760, 761, 762, 763, 764, 765, 766, 767, 768, 769, 770, 771, 773, 774) | | | |
| | | 75-ON | AR | 4HP24.STP03 |
| 312E | 'D' Brake Selective (2.10mm) | | | |
| | (Following Box Codes Only) | | | |
| | (1043 010 728, 739, 740, 747, 748, 749, 759, 760, 761, 762, 763, 764, 765, 766, 767, 768, 769, 770, 771, 773, 774) | | | |
| | | 75-ON | AR | 4HP24.STP04 |
| PRESSURE PLATES | | | | |
| 400C | 'B' Clutch (4.50mm)..... | 83-ON | 1 | 4HP22.PP02 |
| 400C | 'B' Clutch (4.50mm) (Alto) | 83-ON | 1 | 4HP22.PP07 |
| 401D | 'C' Brake (4.00mm) | 83-ON | 1 | 4HP22.PP03 |
| 401D | 'C' Brake (4.50mm) | 83-ON | 1 | 4HP22.PP02 |
| 401D | 'C' Brake (4.50mm) (Alto)..... | 83-ON | 1 | 4HP22.PP07 |
| 402H | 'E' Clutch | 83-ON | 1 | 4HP22.PP05 |
| 403H | 'F' Brake | 83-ON | 1 | 4HP22.PP06 |
| SPRINGS & CIRCLIPS | | | | |
| 410B | 'A' Clutch Diaphragm Spring | 83-ON | 1 | 4HP22.DIA01 |
| 411C | 'B' Clutch Diaphragm Spring | 83-ON | 1 | 4HP22.DIA05 |
| 412C | 'C1' Brake Diaphragm Spring..... | 83-ON | 1 | 4HP22.DIA06 |

| ILL NO. | DESCRIPTION | YEARS | QTY | PART NO |
|---------------------------------------|------------------------------------------------------------------------------------|-------|-----|--------------------|
| SPRINGS & CIRCLIPS Cont... | | | | |
| 413E | 'C' Brake Diaphragm Spring..... | 83-ON | 1 | 4HP22.DIA06 |
| 414E | 'D' Brake Diaphragm Spring..... | 83-ON | 1 | 4HP22.DIA03 |
| 415H | 'E' Clutch Diaphragm Spring | 83-ON | 1 | 4HP22.DIA04 |
| 416H | 'F' Brake Diaphragm Spring | 83-ON | 1 | 4HP22.DIA02 |
| 417J | Spring, Parking Pawl Return..... | 83-ON | 1 | 4HP22.SPR12 |
| 430C | Circlip 'B' Clutch to Sun Shaft ... | 83-ON | 1 | 4HP22.CIR01 |
| 431B | Circlip 'A' Clutch Retaining..... | 83-ON | 1 | 4HP22.CIR02 |
| NI | Circlip Case sealing Rubber Compression Spring | 83-ON | 8 | 4HP22.CIR03 |
| FILTERS | | | | |
| NI | Filter 3HP22 | 75-ON | 1 | 3HP22.FIL01 |
| NI | Filter 3HP22 Citroen FWD | 75-ON | 1 | 3HP22.FIL02 |
| 450J | Filter 4HP22 | 83-ON | 1 | 4HP22.FIL01 |
| 450J | Filter 4HP22 (OEM) | 83-ON | 1 | 4HP22.FIL11 |
| 450J | Filter 4HP22 (Range Rover/DAF) | 83-ON | 1 | 4HP22.FIL02 |
| 450J | Filter 4HP22 (OEM) (Range Rover/DAF) | 83-ON | 1 | 4HP22.FIL12 |
| 450J | Filter 4HP22 (With Spout) | 86-ON | 1 | 4HP22.FIL03 |
| 450J | Filter Porsche 911 | 90-ON | 1 | 4HP22.FIL04 |
| 450J | Filter Pinzgauer Code 485 | 90-ON | 1 | 4HP22.FIL05 |
| BUSHINGS | | | | |
| 550A | Front Pump Body Bush (13mm Wide) | 75-ON | 1 | 3HP22.BUS01 |
| 550A | Front Pump Body Bush (17mm Wide) | 94-ON | 1 | 4HP22.BUS01 |
| 551B | 'A' Clutch Housing..... | 75-ON | 1 | 4HP18.BUS01 |
| 552D | C1 Clutch Housing..... | 75-ON | 1 | 4HP18.BUS01 |
| NI | Centre Support..... | 75-ON | 1 | 4HP18.BUS01 |
| NI | Governor Support | 75-ON | 1 | 4HP18.BUS01 |
| THRUST WASHERS & BEARINGS | | | | |
| 600H | 'F' Brake Retainig 'C' Clip..... | 83-ON | 1 | 4HP22.THW01 |
| 670H | Bearing Kit, 'E' Clutch to Overdrive OWC..... | 83-ON | 1 | 4HP22.TK07 |
| ELECTRICAL COMPONENTS | | | | |
| NI | Shift Solenoid (E7 Electronics) (Early 5 Solenoid V. Body) | 87-ON | 4 | 4HP22.SOL01 |
| NI | Shift Solenoid (E9 Electronics) (Late 4 Solenoid V. Body) | 89-ON | 3 | 5HP18.SOL01 |
| NI | Pressure Control Solenoid (OEM) (E7 Electronics 5 Sol V. Body) .. | 87-ON | 1 | 4HP22.SOL02 |
| NI | Pressure Control Solenoid (Fitzall) (E7 Electronics 5 Sol V. Body) .. | 87-ON | 1 | 4HP22.SOL22 |
| NI | Pressure Control Solenoid (0501 311 845, OEM) (E9 Electronics 4 Sol V. Body) .. | 89-ON | 1 | 5HP18.SOL02 |
| NI | Pressure Control Solenoid (0501 209 948, OEM) (E9 Electronics 4 Sol V. Body) .. | 89-ON | 1 | 4HP22.SOL05 |
| NI | Inductive Speed Sensor..... | 87-ON | 1 | 4HP22.ELE01 |
| NI | Valve Body Loom (E7 Electronics 5 Sol V. Body) .. | 87-ON | 1 | 4HP22.ELE02 |
| NI | Valve Body Loom (E9 Electronics 4 Sol V. Body) .. | 87-ON | 1 | 4HP22.ELE06 |
| NI | Inhibitor Switch (Range Rover) .. | 87-ON | 1 | 4HP22.ELE03 |
| NI | Range Switch (Range Rover Codes 1043 010 727, 728 & 759) | 94-ON | 1 | 4HP22.ELE04 |
| NI | Range Switch (Range Rover Codes 1043 010 765, 766 & 773) | 94-ON | 1 | 4HP22.ELE05 |

ZF 3HP22, 4HP22H, EH & A

3 & 4 SPEED FWD, RWD & 4WD (Hydraulic & Electronic Control)



AUTOMATIC CHOICE



THE AUTOMATIC TRANSMISSION PARTS WAREHOUSE

| ILL NO. | DESCRIPTION | YEARS | QTY | PART NO |
|------------------------------|---------------------------------------------------------------------------------------------------------------------------------------------------------------------------------------------------------------------------------------------------------------------------------------------------------------------------------------|-------|-----|---------------------|
| VALVE BODY COMPONENTS | | | | |
| Kit | Shift Correction Package (Hydraulic Units) | 83-ON | 1 | 4HP22.SK02 |
| Kit | Shift Correction Package (Electronic Units)..... | 83-ON | 1 | 4HP22.SK03 |
| NI | Aluminum Tube 'U' Shape..... | 83-ON | 1 | 4HP22.TU01 |
| NI | Valve Body Plastic Check Ball (6.50mm)..... | 75-ON | AR | 4HP22.BALL01 |
| NI | Valve Body Plastic Check Ball (4.50mm)..... | 75-ON | AR | 4HP22.BALL02 |
| NI | Encapsulated Plastic Ball Valve Fits in Rear of Lower Valve Body (4HP22H Codes 1043 010 151, 152, 153, 161, 175, 209, 257, 323, 324, 325, 326, 327, 328, 330, 344, 345, 346, 388, 389, 390, 391, 415, 416, 446, 492, 493, 494, 551, 608, 610, 624, 681, 697, 698, 700, 701, 702, 707, 712, 713, 745, 746, 749, 762, 772) | 83-ON | 1 | 4HP22.VA01 |
| NI | Encapsulated Plastic Ball Valve Fits in Rear of Lower Valve Body (4HP22EH Codes 1043 010 290, 683, 684, 686, 687, 689, 695, 715, 716, 717, 723, 724, 727, 726, 728, 759, 763, 764, 765, 766, 767, 768, 769, 773) | 83-ON | 1 | 4HP22.VA01 |
| NI | 'C' Accumulator Spring (Volvo) (Codes; 1043 010 042, 151, 161, 171, 172, 246 & 279) | 83-ON | 1 | 4HP22.SPR07 |
| NI | 'C' Accumulator Spring (4HP22) (Codes; 1043 010 232, 283, 373, 415, 416, 421, 461, 462, 490, 502, 503, 507, 508, 512, 577, 639, 656, 658, 660, 683, 684, 689, 695, 717, 724, 726, 727, 728, 738, 746, 749, 759, 762, 763, 764, 765, 766, 767, 768, 769, 773) | 83-ON | 1 | 4HP14.SPR23 |
| NI | 'C' Accumulator Spring (4HP22EH) (Codes; 1043 010 091,286) | 83-ON | 1 | 4HP14.SPR24 |
| NI | 'C' Accumulator Spring (4HP22A) (Codes; 1043 020 011,019) | 83-ON | 1 | 4HP14.SPR23 |
| NI | 'C1' Accumulator Spring (4HP22) (Codes; 1043 010 607,699, 739, 740, 741, 747, 760, 771) | 83-ON | 1 | 4HP14.SPR24 |
| NI | 'E' Accumulator Spring (Codes 1043 010 481, 722, 727, 728, 748, 759, 763, 764, 765, 766, 767, 768, 769, 773) | 83-ON | 1 | 4HP22.SPR11 |
| HARD PARTS | | | | |
| 800A | Pump Body & Gears (Box Code Required) | 83-ON | 1 | 4HP22.PUM01 |
| 800A | Pump Body & Gears (Box Code Required) | 83-ON | 1 | 4HP22.PUM02 |
| 800A | Pump Body & Gears Box Codes: (1043 010 739, 770, 771 & 774)..... | 83-ON | 1 | 4HP22.PUM02 |
| 801A | Stator Support (Reconditioned) (No Valve Core Required) | 83-ON | 1 | 4HP22.SUP01 |
| 801A | Stator Support (Reconditioned) (With Valve Core Required) | 83-ON | 1 | 4HP22.SUP02 |
| 801A | Stator Support Reconditioned (Large Cooler Union Late BMW) (Core Required) | 83-ON | 1 | 4HP22.SUP03 |
| 801A | Stator Support With Valve (New) (Box Code Required) | 83-ON | 1 | 4HP22.SUP12 |
| 801A | Stator Support With Valve (New) (Box Code Required) | 83-ON | 1 | 4HP22.SUP13 |
| 802A | Stator Shaft Only..... | 83-ON | 1 | 4HP22.SSH01 |
| 803B | 'A' Clutch Cylinder (Except Codes 1043 010 739, 770, 771, 772, 774) | 83-ON | 1 | 4HP22.DRU02 |

| ILL NO. | DESCRIPTION | YEARS | QTY | PART NO |
|---------------------------|---------------------------------------------------------------------------------------------------------------------------------------------------------------------------------------------------------------------------------------------------------------------------------------------------------------------------------------------------------------------------------------------------------------------------------------------------------------------------------------------------------|-------|-----|--------------------|
| HARD PARTS Cont... | | | | |
| 803B | 'A' Clutch Cylinder (Codes 1043 010 739, 770, 771, 772, 774) | 92-04 | 1 | 4HP22.DRU11 |
| 804B | 'A' & 'B' Clutch Carrier..... | 83-ON | 1 | 4HP22.HUB01 |
| 805C | 'B' Clutch Cylinder (4 Plate) (Box Code Required) | 83-ON | 1 | 4HP22.DRU06 |
| 805C | 'B' Clutch Cylinder (4 Plate) (Box Code Required) | 83-ON | 1 | 4HP22.DRU09 |
| 806D | 'C1' Clutch Housing..... | 83-ON | 1 | 4HP22.DRU01 |
| 807D | 'C1' & 'C' Brake One Way Clutch Assy | 83-ON | 1 | 4HP22.OWC01 |
| 808E | Centre Support..... | 83-ON | 1 | 4HP22.DRU07 |
| 809F | Front Planet Assembly (3 Pinion with OWC Assy | 83-ON | 1 | 4HP22.PL03 |
| 809F | Front Planet Assembly (4 Pinion with OWC Assy | 83-ON | 1 | 4HP22.PL02 |
| 809F | Planetary Assembly (4 Pinion) (Fits Late Range Rover with 4HP24 Frictions) | 87-ON | 1 | 4HP24.PL02 |
| 810G | Over Drive Planet Assembly | 83-ON | 1 | 4HP22.PL01 |
| 811G | Over Drive One Way Clutch Assy (Late Units Box Code Required)..... | 87-ON | 1 | 4HP22.OWC02 |
| 812H | 'E' Clutch Cylinder..... | 83-ON | 1 | 4HP22.DRU04 |
| 812H | 'E' Clutch Cylinder (Range Rover) (Codes 1043 010 317, 419, 464, 481, 485, 502, 507, 513, 531, 537, 556, 564, 575, 583, 591, 627, 630, 638, 640, 641, 642, 643, 644, 645, 662, 663, 664, 665, 683, 684, 686, 687, 689, 690, 691, 694, 695, 697, 698, 699, 700, 701, 702, 704, 709, 710, 712, 715, 716, 717, 722, 723, 724, 726, 727, 728, 738, 739, 740, 741, 742, 744, 745, 746, 747, 748, 749, 759, 760, 761, 762, 763, 764, 765, 766, 767, 768, 769, 770, 771, 772, 773, 774, 775, 776, | 83-ON | 1 | 4HP22.DRU10 |
| 812H | 'E' Clutch Cylinder (4HP22A) (Codes 1043 020 019, 024) | 83-ON | 1 | 4HP22.DRU10 |
| 813H | 'F' Brake Cylinder Hydraulic (4 Plate) | 83-ON | 1 | 4HP22.DRU03 |
| 813H | 'F' Brake Cylinder Electronic (4 Plate)..... | 83-ON | 1 | 4HP22.DRU05 |
| 814J | Governor Hub (Excluding Valve Assy) Single Governor..... | 83-ON | 1 | 4HP22.GOV01 |
| 814J | Governor Hub (Excluding Valve Assy) Double Governor..... | 83-ON | 1 | 4HP22.GOV02 |
| 815G | Splined Hub O.D. One Way Clutch (Late Units Box Code Required)..... | 87-ON | 1 | 4HP22.HUB02 |
| 816G | Output Shaft (Peugeot Only) (Box Code Required) | 83-ON | 1 | 4HP22.SH01 |
| 816G | Output Shaft (L.R. Discovery) (Code 1043 010 744, 748, 766 & 773) | 92-04 | 1 | 4HP22.SH03 |
| 817A | Bell Housing, (L.R. Discovery) (Code 1043 010 744, 748) | 92-04 | 1 | 4HP22.CAS01 |
| 817A | Bell Housing, (Land Rover) (Code 1043 010 766, 773) | 92-04 | 1 | 4HP22.CAS03 |
| 818B | Input Shaft..... | 92-04 | 1 | 4HP22.SH04 |
| 819J | Housing, Governor Plunger (Codes: 1043 010 339, 340, 341, 344-346, 348, 351, 352, 354, 356, 358, 359, 383, 385, 388, 390, 399, 411, 415, 416, 419, 431, 443, 463-466, 468, 473, 485, 492-494, 608, 610, 624, 627, 637, 681, 694, 698, 700-702, 705, 708, 709, 713, 737, 744-746, 748, 749, 761, 762, 771, 772, 775, | 92-04 | 1 | 4HP22.GOV14 |
| 820B | 'A' Clutch Piston (Codes 1043 010 739, 770, 771, 772, 774) | 92-04 | 1 | 4HP22.PIS01 |
| 834H | Retainer 'E' Clutch Diaphragm.. | 92-04 | 1 | 4HP22.CIR05 |
| 841J | Output Flange (BMW) (Check Box Codes)..... | 92-04 | 1 | 4HP22.FL01 |

ZF 3HP22, 4HP22H, EH & A

3 & 4 SPEED FWD, RWD & 4WD (Hydraulic & Electronic Control)



AUTOMATIC CHOICE



THE AUTOMATIC TRANSMISSION PARTS WAREHOUSE

| ILL NO. | DESCRIPTION | YEARS | QTY | PART NO |
|---------------------------|------------------------------------------------------------------------------------------------------------------------|-------|-----|--------------------|
| HARD PARTS Cont... | | | | |
| 842J | Selector Shaft, 4HP22EH (Short) (Codes 1043 010 727, 728, 759, 763, 764, 767-769) | | | |
| | 91-ON | 1 | | 4HP24.SH01 |
| 846J | Oil Pan, With Filler Level Plug (4HP22 Land Rover) (Codes: 1043 010 765, 766, 767, 768, 769, 773) | | | |
| | 98-ON | 1 | | 4HP22.PAN01 |
| NI | Range Rover Transfer Shaft (Fits Over Transmission O. Shaft) | | 1 | 4HP22.SH02 |
| NI | Extension Housing (L.R. Discovery) (Code 1043 010 744, 748, 766 & 773) | 92-04 | 1 | 4HP22.CAS02 |
| NI | Manual Shaft Range Rover (Single Side) | 92-04 | 1 | 4HP22.SH06 |

| SPECIAL ITEMS | | | | |
|----------------------|-----------------------------------------------------|-------|----|--------------------|
| 900J | Output Shaft Nut | 75-ON | 1 | 4HP22.NUT02 |
| 901J | Lock Tab Output Shaft Nut | 75-ON | 1 | 4HP22.TAB01 |
| 902J | 'F' Brake to Case Screw | 83-ON | 10 | 4HP22.NUT01 |
| NI | Plastic Breather Body (Fits Inside Ext. Housing) | 83-ON | 1 | 4HP22.BRE01 |
| NI | Plastic Breather Cap | 75-ON | 1 | 4HP22.CAP01 |
| NI | Range Rover Sump Bung (Allen Head No Magnet) | 87-ON | 1 | 4HP22.PLU01 |
| NI | Range Rover Sump Bung (17mm Head With Magnet) | 87-ON | 1 | 4HP22.PLU02 |
| NI | Washer, Sump Drain Plug | 87-ON | 1 | 4HP22.WA01 |

A full range of Kickdown cables is available, please furnish transmission code when ordering,

| SPECIAL TOOLS & MANUALS | | | | |
|------------------------------------|---------------------|-------|--|--------------------|
| NI | ATSG Rebuild Manual | 83-ON | | 4HP22.MAN01 |

[Click here to view special tools for this transmission](#)

| ILL NO. | DESCRIPTION | YEARS | QTY | PART NO |
|---------|-------------|-------|-----|---------|
|---------|-------------|-------|-----|---------|