

# AW55-50SN, AW55-51SN

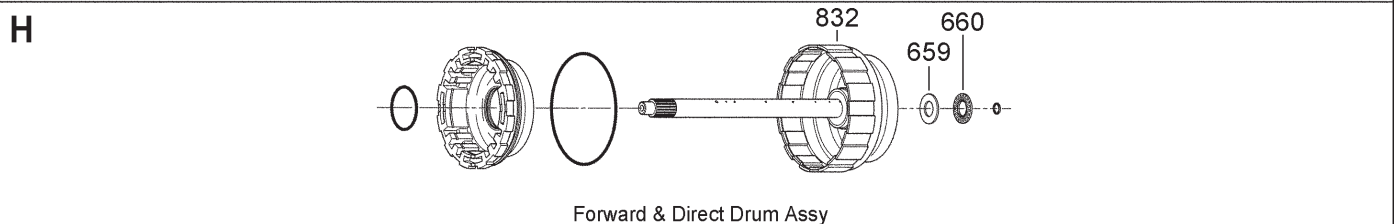
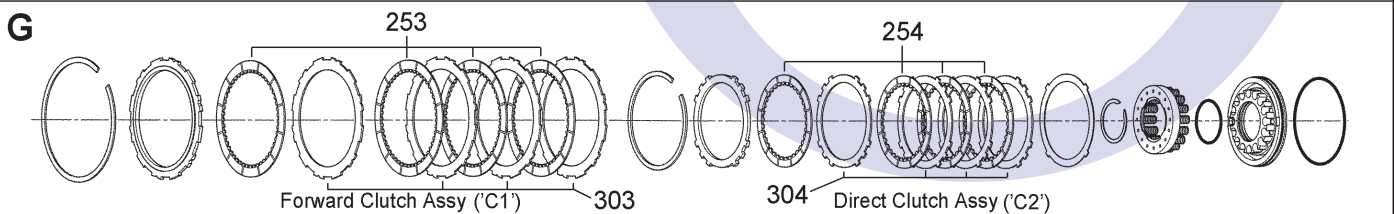
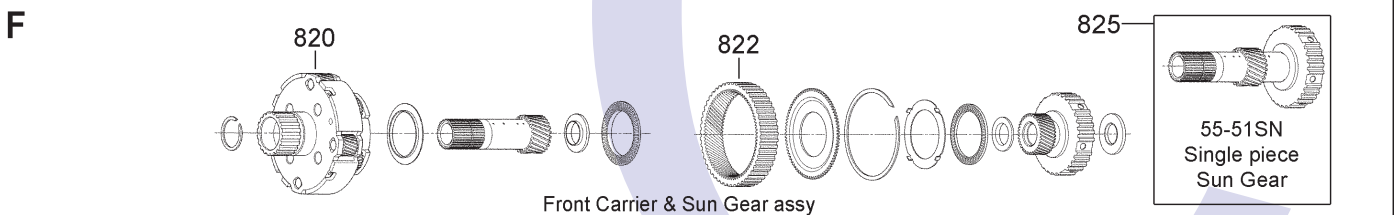
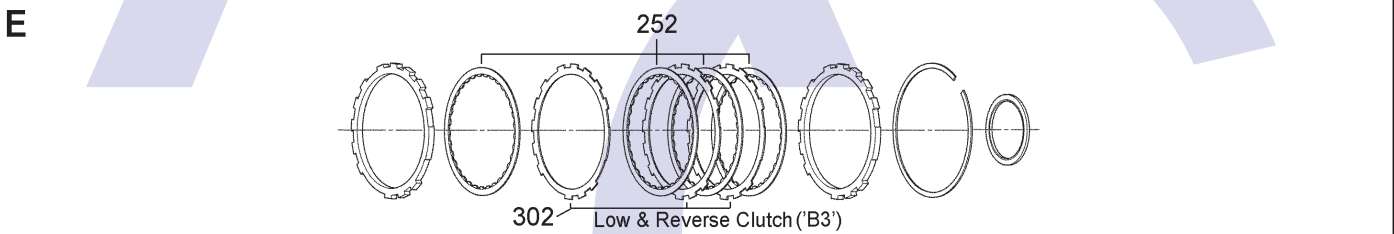
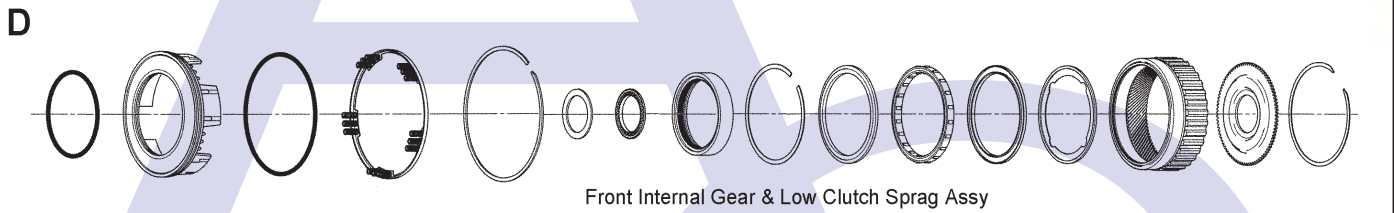
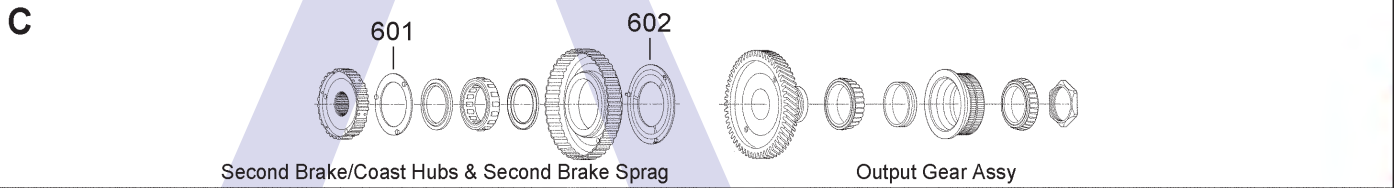
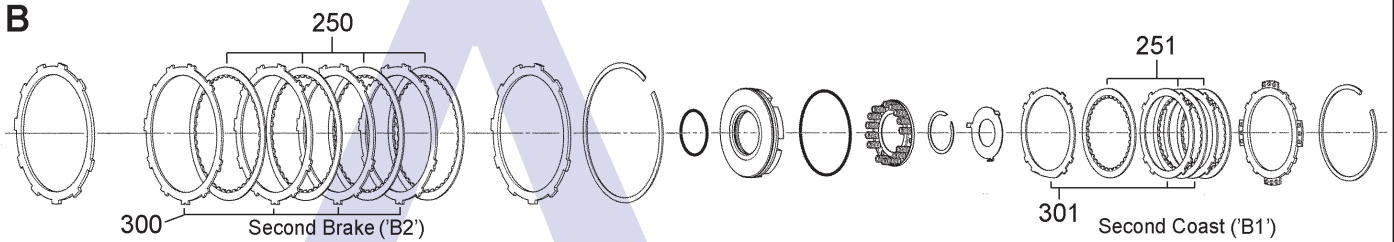
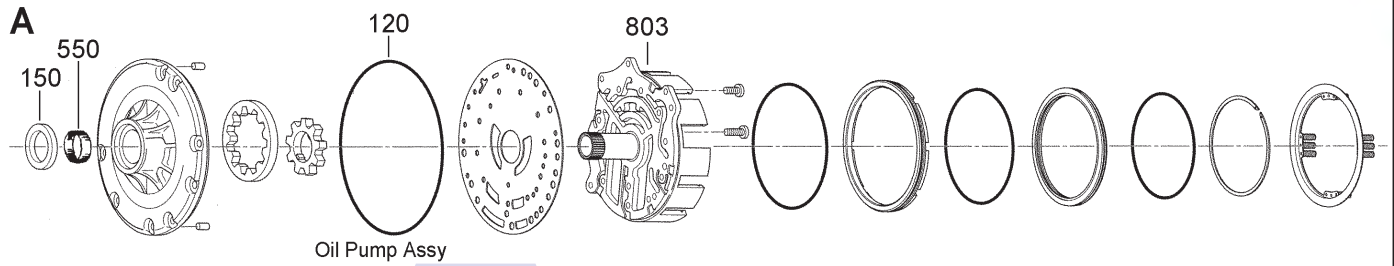
## 5 SPEED FWD (Electronic Control)



AUTOMATIC CHOICE



THE AUTOMATIC TRANSMISSION PARTS WAREHOUSE



# AW55-50SN, AW55-51SN

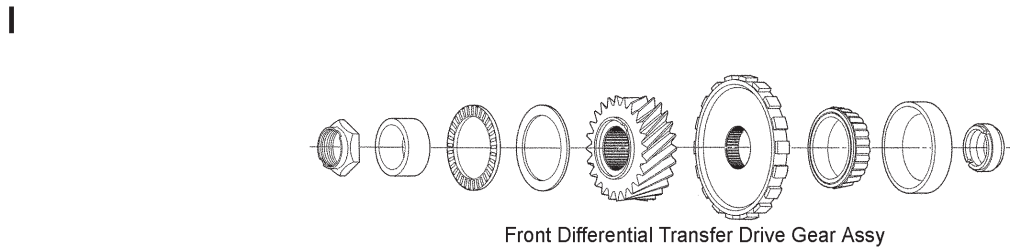
## 5 SPEED FWD (Electronic Control)



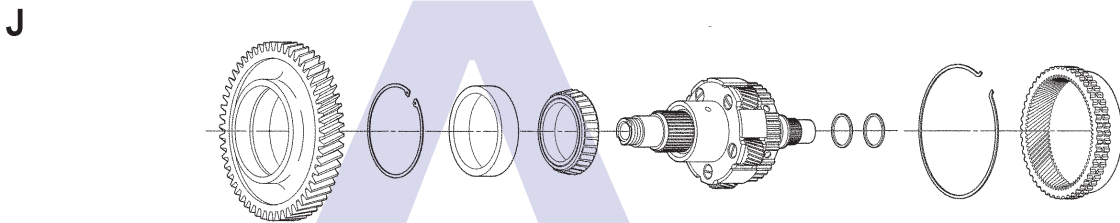
AUTOMATIC CHOICE



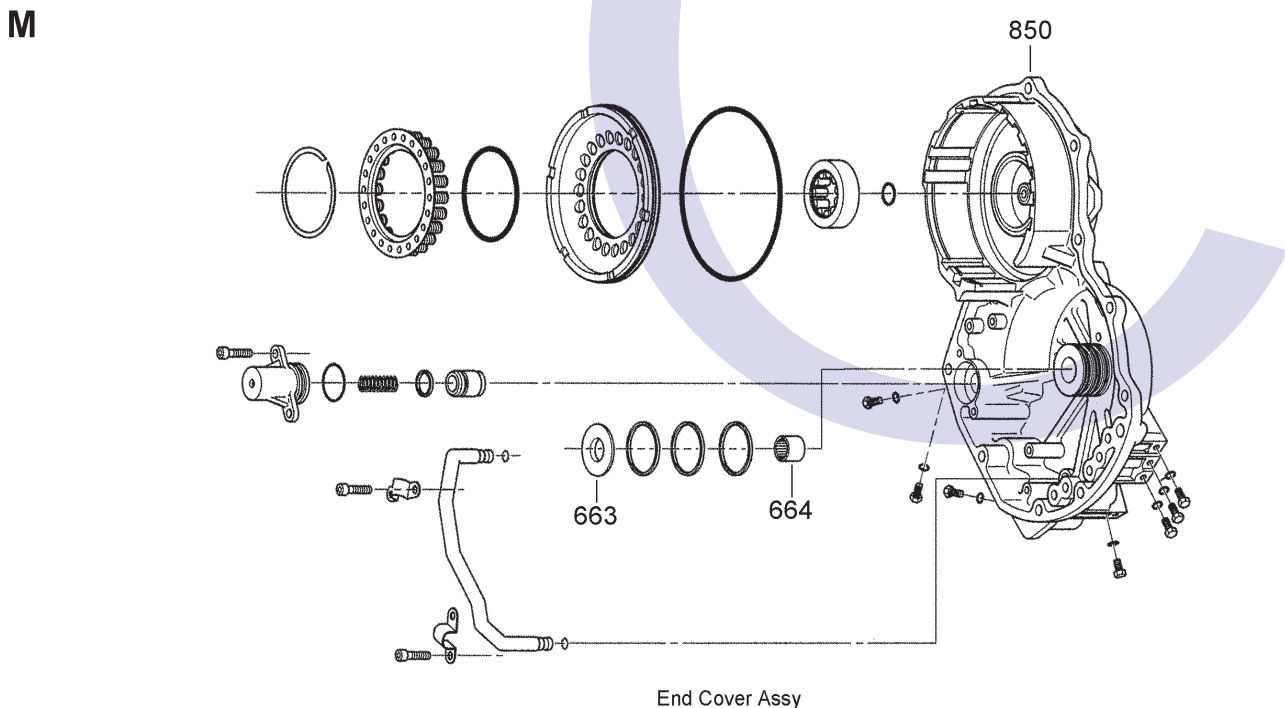
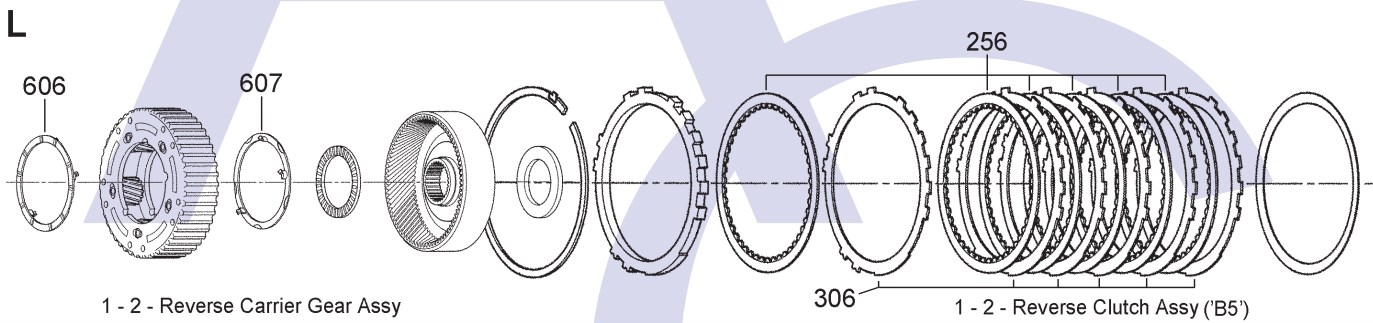
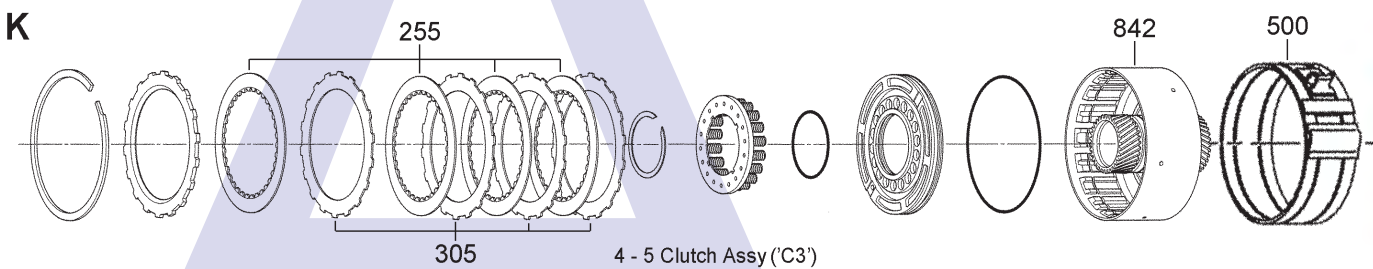
THE AUTOMATIC TRANSMISSION PARTS WAREHOUSE



Front Differential Transfer Drive Gear Assy



Front Differential Transfer Drive Gear Assy Continued



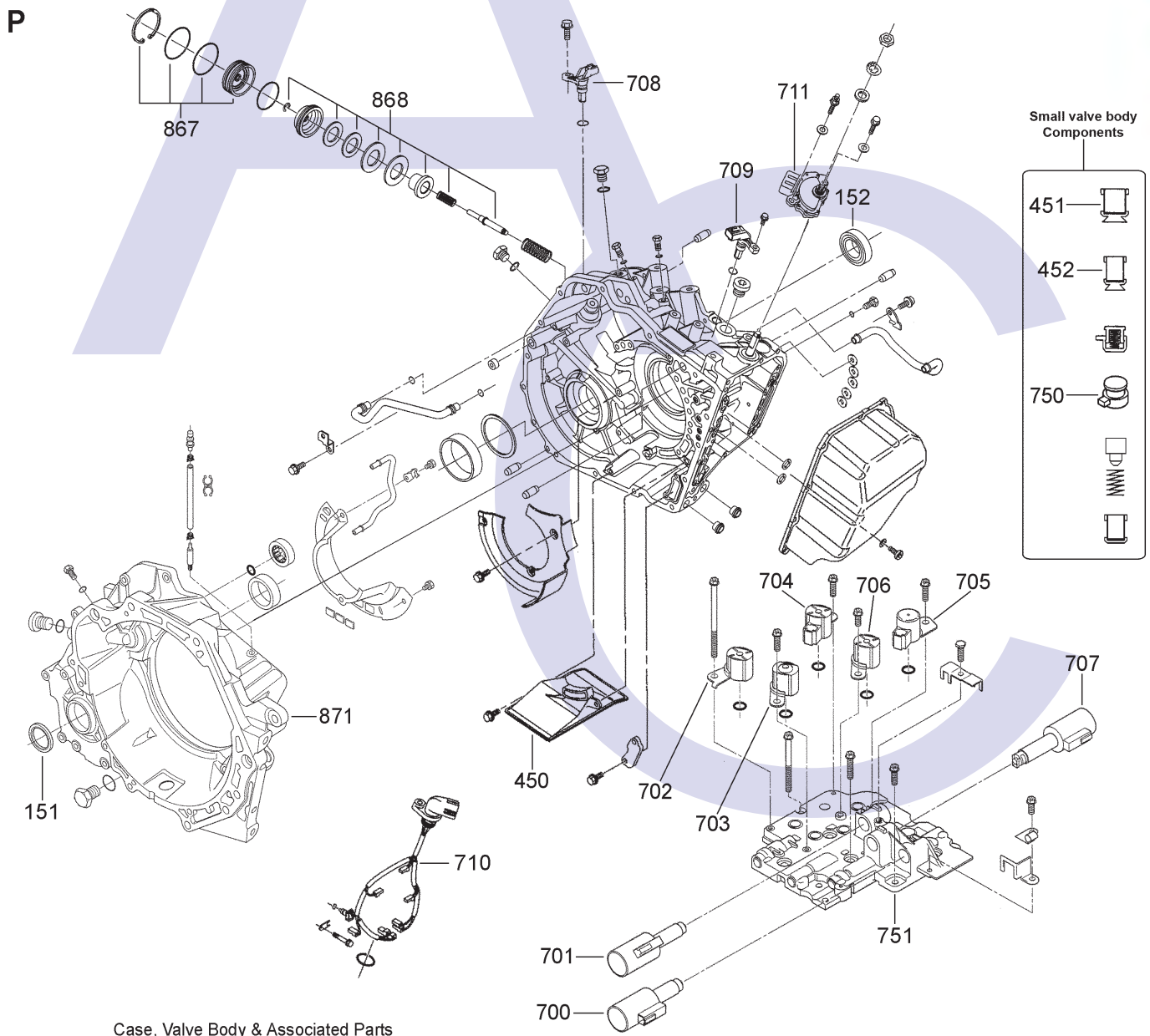
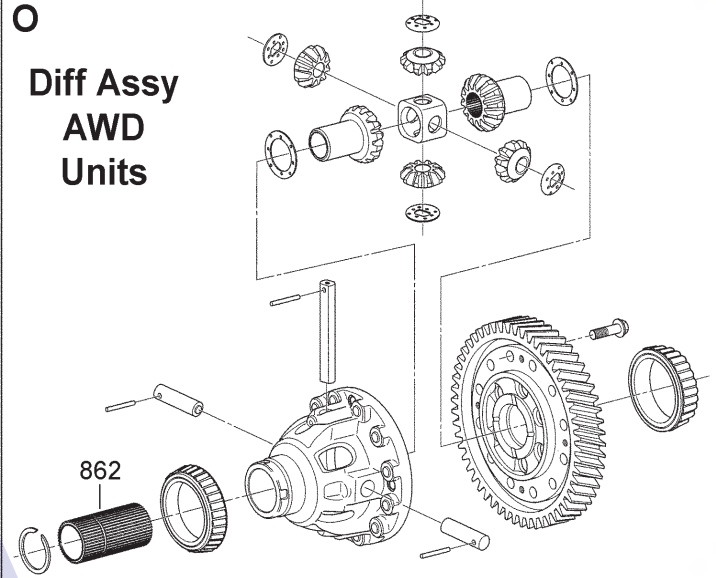
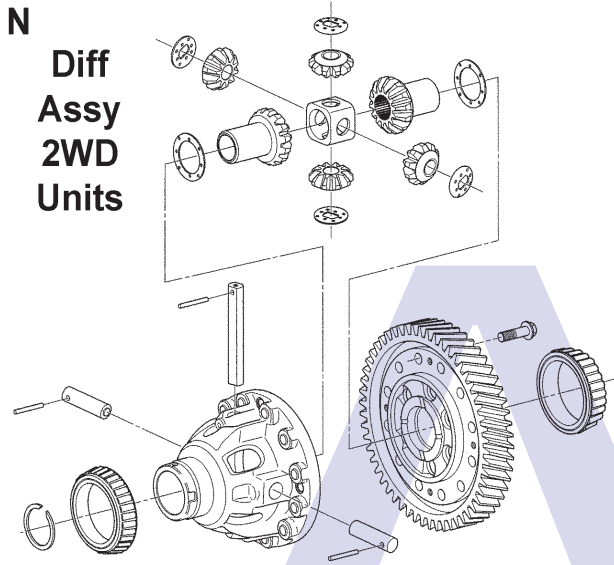
End Cover Assy

# AW55-50SN, AW55-51SN

## 5 SPEED FWD (Electronic Control)



AUTOMATIC CHOICE



Case, Valve Body & Associated Parts



THE AUTOMATIC TRANSMISSION PARTS WAREHOUSE

# AW55-50SN, AW55-51SN

## 5 SPEED FWD (Electronic Control)

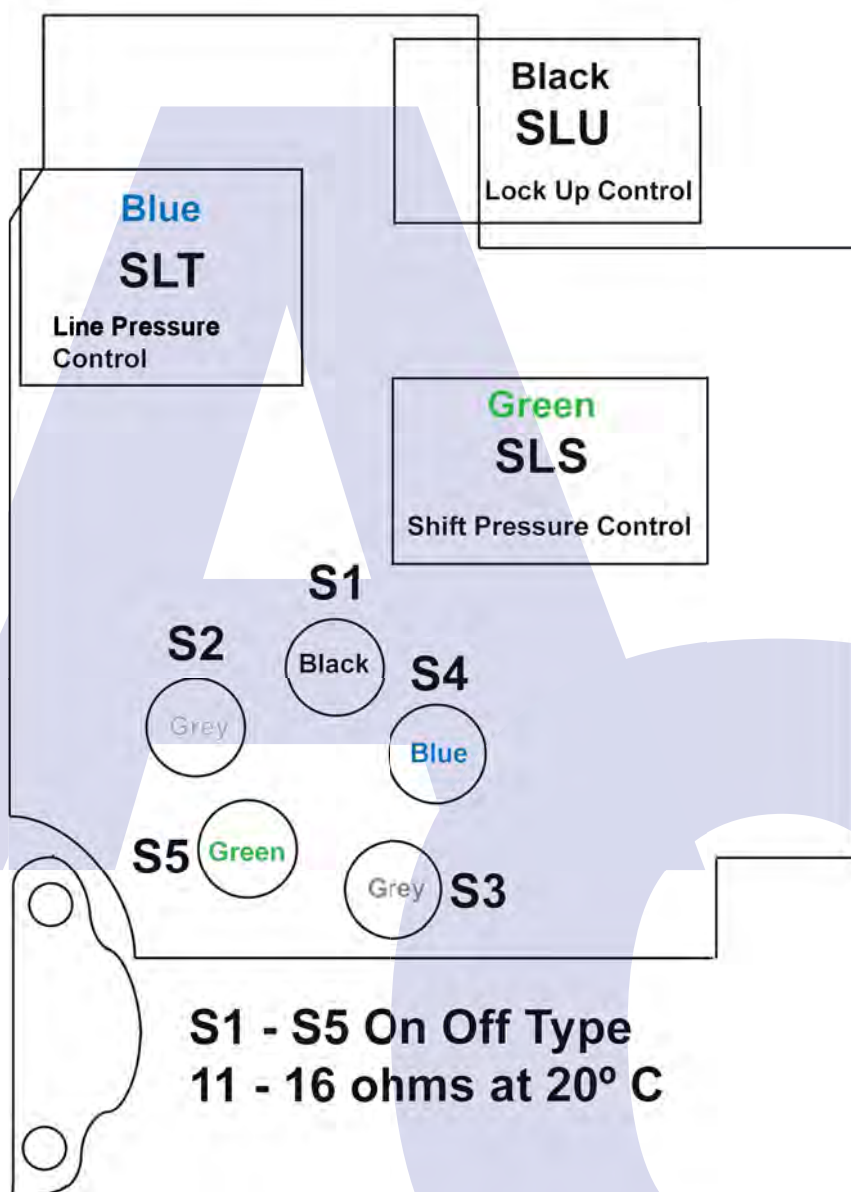


AUTOMATIC CHOICE



THE AUTOMATIC TRANSMISSION PARTS WAREHOUSE

### 55-50SN Solenoid Information



- 'S1'/Reverse, 1st Shift Solenoid
- 'S2'/2-3, 3-4 Shift Solenoid
- 'S3'/1-2, 2-3, Reverse Shift Solenoid
- 'S4'/3-4, 4-5 Shift Solenoid
- 'S5'/Reverse Shift Solenoid

# AW55-50SN, AW55-51SN

## 5 SPEED FWD (Electronic Control)



AUTOMATIC CHOICE



THE AUTOMATIC TRANSMISSION PARTS WAREHOUSE

ILL NO.	DESCRIPTION	YEARS	QTY	PART NO
<b>KITS</b>				
Kit	Master Overhaul Volvo (Precision).....	99-ON	1	<b>5550.MOHK03</b>
Kit	Banner Kit Volvo (Precision) (Includes Friction Plates) .....	99-ON	1	<b>5550.BAK03</b>
Kit	Overhaul Kit (OEM Volvo).....	99-ON	1	<b>5550.OHK01</b>
Kit	Overhaul Kit (Transtec) (Volvo/Nissan).....	99-ON	1	<b>5550.OHK02</b>
Kit	Overhaul Kit (Precision All) .....	99-ON	1	<b>5550.OHK03</b>
Kit	Valve Body Gasket Kit (Transtec) (Includes Opel/Vauxhall) .....	99-ON	1	<b>5550.GK01</b>
Kit	Valve Body Gasket Kit OEM (Saab/Opel) (Use with 5550.OHK01 & 03)....	99-ON	1	<b>5550.GK02</b>
Kit	Valve Body Gasket Kit (Volvo).....	99-ON	1	<b>5550.GK03</b>
Kit	Valve Body Gasket Kit (OEM) (Saab, Volvo, Opel).....	99-ON	1	<b>5550.GK04</b>
Kit	Valve Body Component Kit (Contains #750P, #451, #452 & 'O' Rings) .....	99-ON	1	<b>5550.VBK01</b>
<b>GASKETS</b>				
NI	Valve Body Cover (Duraprene) .	99-ON	1	<b>5550.GAS01</b>
NI	Valve Body gasket Upper (Volvo).....	99-ON	1	<b>5550.GAS03</b>
NI	Valve Body Gasket Lower (Volvo).....	99-ON	1	<b>5550.GAS04</b>
<b>RUBBER COMPONENTS</b>				
120A	Pump Outer 'O' Ring .....	99-ON	1	<b>AF20.OR01</b>
<b>METAL CLAD SEALS</b>				
150A	Converter Seal .....	99-ON	1	<b>BW55.MCS01</b>
151P	Axle Right Hand (Vectra OEM) .	99-ON	1	<b>5550.MCS02</b>
151P	Axle Right Hand (Volvo) (75mm x 39mm x 10mm) .....	99-ON	1	<b>5550.MCS06</b>
152P	Axle Left Hand (Vectra OEM)....	99-ON	1	<b>5550.MCS02</b>
152P	Axle Left Hand (Volvo) (75mm x 39mm x 10mm) .....	99-ON	1	<b>5550.MCS06</b>
152P	Axle Left Hand (Volvo XC70) (63mm x 40mm x 8mm) .....	99-ON	1	<b>5550.MCS07</b>
NI	Volvo AWD Output .....	99-ON	1	<b>5550.MCS04</b>
NI	4 x 4 Shaft Inner.....	99-ON	1	<b>5550.MCS05</b>
<b>SEALING RINGS</b>				
<b>FRICTION PLATES</b>				
Kit	Friction Plate (Volvo).....	99-ON	1	<b>5550.FRK01</b>
Kit	Friction Plate (Vectra) .....	99-ON	1	<b>5550.FRK02</b>
Kit	Friction Plate (AM Combi).....	99-ON	1	<b>5550.FRK03</b>
Kit	Friction Plate (Alto Combi).....	99-ON	1	<b>5550.FRK53</b>
Kit	Friction Plate (Alto) (55-51SN)..	05-ON	1	<b>5550.FRK54</b>
Kit	Friction Plate (Alto) (Saturn AF23-5) .....	03-ON	1	<b>AF20.FRK54</b>
250B	'B2' Second Brake (160mm OD x 1.70mm x 40T) ..	99-ON	4	<b>AF20.FRP07</b>
251B	'B1' Second Coast Brake (107mm OD x 1.70mm x 34T) ..	99-ON	2-3	<b>AF20.FRP01</b>
252E	'B3' Low Reverse Brake (160mm x 1.70mm x 33T).....	99-ON	3-5	<b>AF20.FRP03</b>

ILL NO.	DESCRIPTION	YEARS	QTY	PART NO
<b>FRICTION PLATES Cont...</b>				
253G	'C1' Forward Clutch (136mm OD x 1.70mm x 49T) ..	99-ON	4	<b>5550.FRP05</b>
253G	'C1' Forward Clutch (Alto) (136mm OD x 1.70mm x 49T) ..	99-ON	4	<b>5550.FRP55</b>
254G	'C2' Direct Clutch (108mm x 1.70mm x 34T).....	99-ON	4	<b>5550.FRP04</b>
254G	'C2' Direct Clutch (Alto) (108mm x 1.70mm x 34T).....	99-ON	4	<b>5550.FRP54</b>
254G	'C2' Direct Clutch (108mm x 1.50mm x 34T).....	99-ON	4	<b>5550.FRP08</b>
254G	'C2' Direct Clutch (Alto) (108mm x 1.50mm x 34T).....	99-ON	4	<b>5550.FRP58</b>
255K	'C3' 4-5 Clutch (114mm OD x 1.70mm x 34T)...	99-ON	4	<b>AF20.FRP05</b>
255K	'C3' 4-5 Clutch (Alto) (114mm OD x 1.70mm x 34T)...	99-ON	4	<b>AF20.FRP55</b>
255K	'C3' 4-5 Clutch (AM) (55-51SN) (114mm OD x 1.50mm x 34T)...	05-ON	4	<b>5550.FRP09</b>
255K	'C3' 4-5 Clutch (Alto) (55-51SN) (114mm OD x 1.50mm x 34T)...	05-ON	4	<b>5550.FRP59</b>
256L	'B5' 1-2-Reverse Brake (141mm OD x 1.70mm x 47T) ..	99-ON	6	<b>5550.FRP07</b>
256L	'B5' 1-2-Reverse Brake (Alto) (141mm OD x 1.70mm x 47T) ..	99-ON	6	<b>5550.FRP57</b>
<b>STEEL PLATES</b>				
Kit	Steel Plate.....	99-ON	1	<b>5550.STK01</b>
Kit	Steel Plate (Alto).....	99-ON	1	<b>5550.STK51</b>
Kit	Steel Plate (Alto) (Saturn AF23-5) .....	03-ON	1	<b>AF20.STK54</b>
300B	'B2' Second Brake (141mm ID x 1.80mm x 10T) ....	99-ON	4	<b>AF20.STP09</b>
300B	Steel Plate B2 (2nd Brake) (141mm ID x 4.00mm x 10T) ....	99-ON	4	<b>AF20.STP12</b>
301B	'B1' Second Coast Brake (107mm x 1.80mm x 8T).....	99-ON	2-3	<b>AF20.STP01</b>
302E	'B3' Low Reverse Brake (144mm ID x 1.80mm x 13T) ....	99-ON	2-4	<b>5550.STP03</b>
303G	'C1' Forward Clutch (114mm ID x 2.00mm x 12T) ....	99-ON	AR	<b>AF20.STP10</b>
304G	'C2' Direct Clutch (91mm ID x 1.80mm x 12T) .....	99-ON	4	<b>AF20.STP05</b>
305K	'C3' 4-5 Clutch (91mm ID x 1.80mm x 18T) .....	99-ON	4	<b>AF20.STP06</b>
306L	'B5' 1-2-Reverse Brake (124mm ID x 1.80mm x 12T) ....	99-ON	6	<b>5550.STP07</b>
<b>PRESSURE PLATES</b>				
<b>SPRINGS &amp; CIRCLIPS</b>				
<b>FILTERS</b>				
450P	Pick Up Filter (OEM) (Volvo & Some Saab).....	99-ON	1	<b>5550.FIL01</b>
450P	Pick Up Filter (Aftermarket) (Volvo & Some Saab).....	99-ON	1	<b>5550.FIL11</b>
450P	Pick Up Filter No Legs (OEM) (Vectra & Some Volvo/Saab) ....	99-ON	1	<b>5550.FIL02</b>
450P	Pick Up Filter No Legs (Aftermarket) (Vectra & Some Volvo/Saab) ....	99-ON	1	<b>5550.FIL12</b>
450P	Pick Up Filter (Deawoo) .....	99-ON	1	<b>5550.FIL05</b>
451P	Valve Body Filter (Large) .....	99-ON	1	<b>5550.FIL04</b>
452P	Valve Body Filter (Small).....	99-ON	1	<b>5550.VA02</b>

# AW55-50SN, AW55-51SN

## 5 SPEED FWD (Electronic Control)



AUTOMATIC CHOICE

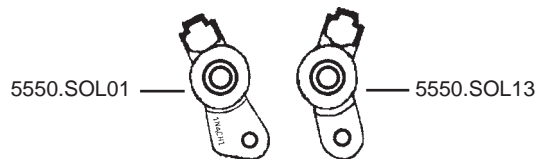


THE AUTOMATIC TRANSMISSION PARTS WAREHOUSE

ILL NO.	DESCRIPTION	YEARS	QTY	PART NO
<b>BANDS</b>				
500K	'B4' Band (52mm Wide) (OEM)	99-ON	1	5550.BAN01
500K	'B4' Band (52mm Wide) (Aftermarket)	99-ON	1	5550.BAN02
<b>BUSHINGS</b>				
Kit	Bushing Kit, (Small Shaft 55-50SN)	99-ON	1	5550.BK04
Kit	Bushing Kit (Planet & Sun Gears Only) Contained in this kit is 5550.BUS02 - this is a 1 piece bush that replaces the 2 bushes in the planet set, the planetary will need machining to allow the new bush to fit.	99-ON	1	5550.BK02
550A	Pump to Converter	99-ON	1	BW55.BUS01
NI	Planetary, 1 Piece Bush that Replaces 2 Bushings (See Note on 5550.BK02)	99-ON	1	5550.BUS02
NI	Sun Gear With Shaft (12mm High)	99-ON	1	5550.BUS03
NI	Sun Gear (Large) (26mm High)	99-ON	1	5550.BUS04
<b>THRUST WASHERS &amp; BEARINGS</b>				
Kit	Plastic Thrust Washer Kit	99-ON	1	5550.TWK01
601C	Thrust Washer (Plastic) 2nd Coast Hub to 2nd Brake Hub (77.30mm OD x 56.50mm ID)	99-ON	1	5550.THW02
602C	Thrust Washer (Plastic) 2nd Brake Hub to Output Gear (99.30mm OD x 56.50mm ID)	99-ON	1	5550.THW01
606L	Thrust Washer (Plastic) 1-2 & Rev Carrier (Front) (77.60mm OD x 66.80mm ID)	99-ON	1	5550.THW03
607L	Thrust Washer (Plastic) 1-2 & Rev Carrier (Rear) (77.60mm OD x 66.80mm ID)	99-ON	1	5550.THW03
659H	Bearing Race, Forward & Direct Drum to End Cover (Front)	99-ON	1	AF20.THW01
660H	Radial Needle Bearing, Forward & Direct Drum to End Cover	99-ON	1	5550.TOR01
663M	Bearing Race, Forward & Direct Drum to End Cover (Rear) (17.50mm ID)	99-ON	1	5550.THW04
663M	Bearing Race, Forward & Direct Drum to End Cover (Rear) (22.00mm ID)	99-ON	1	5550.THW05
664M	Needle Bearing, End Cover (Small Diameter)	99-ON	1	5550.BE01
664M	Needle Bearing, End Cover (Large Diameter)	99-ON	1	5550.BE02
<b>ELECTRICAL COMPONENTS</b>				
700P	Lock Up Control Solenoid ('SLU')	99-ON	1	5550.SOL08
701P	Shift Pressure Control Solenoid ('SLS') (After Serial No. 02E †) . 6/02-ON	99-ON	1	5550.SOL09
702P	1-2, 2-3, Reverse Shift Solenoid ('S3')	99-ON	1	5550.SOL03
703P	3-4, 4-5 Shift Solenoid ('S4')	99-ON	1	5550.SOL04
704P	Reverse Shift Solenoid ('S5')	99-ON	1	5550.SOL05
705P	2-3, 3-4 Shift Solenoid ('S2') (Normally Closed, Grey Connector) (Volvo/Renault)	99-ON	1	5550.SOL02

ILL NO.	DESCRIPTION	YEARS	QTY	PART NO
<b>ELECTRICAL COMPONENTS Cont...</b>				
705P	2-3, 3-4 Shift Solenoid ('S2') (Normally Open, Black Connector) (Vauxhall/Opel/Saab)	99-ON	1	5550.SOL14
706P	Reverse, 1st Shift Solenoid Black Connector (Fits Front Control Body With No Code & Code 'A') ('S1' See end of section)	99-01	1	5550.SOL01
706P	Reverse, 1st Shift Solenoid Black Connector (Fits Front Control Body With Codes 'B' & 'C') ('S1' † See end of section)	02-ON	1	5550.SOL13
707P	Line Pressure Control Solenoid ('SLT') (After Serial No. 02E †) . 6/02-ON	99-ON	1	5550.SOL10
708P	Output Speed Sensor (2 Flat Connectors Volvo)	99-ON	1	5550.ELE02
708P	Output Speed Sensor (2 Flat Pins Opel)	99-ON	1	5550.ELE03
708P	Output Speed Sensor (Renault)	99-ON	1	5550.ELE06
709P	Input Speed Sensor (2 Flat Pins Opel)	99-ON	1	5550.ELE03
709P	Input Speed Sensor (2 Round Pins)	99-ON	1	5550.ELE01
709P	Input Speed Sensor (Renault)	99-ON	1	5550.ELE06
708P & 709P	Input & Output Speed Sensors (Combined With 60cm & 90cm Leads Volvo)	99-ON	1	5550.ELE04
710P	Valve Body Loom Volvo (3rd Generation 02E-On) It is the same electrically as the 2nd generation loom (round main connector) which fits up to 02E Volvo vehicles, but is slightly longer inside the transmission to accommodate the connectors being rotated 90 degrees on the line pressure & shift pressure solenoid's. The 1st generation loom has a square connector.	01-ON	1	5550.ELE05
710P	Wiring Harness (Volvo) (Early Loom to Late Solenoids)	01-ON	1	5550.ELE11
710P	Wiring Harness (Volvo) (With 90 Degree Connector)	01-ON	1	5550.ELE13
710P	Wiring Harness (Saab) (To Fit Early Type SLS & SLT Solenoids and Externally Has Two 16 Pin Connectors, One Male, One Female, Also Has Connections For Both Speed Sensors and the Selector Position Switch)	01-ON	1	5550.ELE08
710P	Wiring Harness (Vauxhall/Opel) (Short Wire)	01-ON	1	5550.ELE09
710P	Wiring Harness (Vauxhall/Opel) (Long Wire)	01-ON	1	5550.ELE10
711P	Range Switch (Renault)	01-ON	1	5550.ELE07
NI	Bracket, Solenoid Retaining (Use With SLS & SLT †)	99-ON	1	5550.SOL12
Kit	Internal Bushing kit, for SLS, SLT & SLU Solenoids (Includes Installation Tool)	99-ON	AR	5550.BUS10
NI	Internal Bush for SLS, SLT & SLU Solenoids (Pack of 100)	99-ON	AR	5550.BUS11

[Click here to see location of valve body codes](#)



† [Click here to see fitment notes for SLT & SLS Solenoids](#)

# AW55-50SN, AW55-51SN

## 5 SPEED FWD (Electronic Control)



AUTOMATIC CHOICE



THE AUTOMATIC TRANSMISSION PARTS WAREHOUSE

ILL NO.	DESCRIPTION	YEARS	QTY	PART NO
<b>VALVE BODY PARTS</b>				
Kit	TransGo® Shift Kit <a href="#">(Click here for Info)</a> .....	01-ON	1	<b>5550.SK01</b>
NI	Valve Body Assembly (New) Many options available, please call with vehicle details and transmission code to obtain correct unit .....	99-ON	1	<b>5550.VBxx</b>
NI	Valve Body Assembly (Remanufactured OCR) Many options available, please call with vehicle details and transmission code to obtain correct unit .....	99-ON	1	<b>5550.VBxx</b>
750P	Accumulator Check Valve Assy	99-ON	9	<b>5550.VA01</b>
751P	Front Valve Body Casting (Early Style) .....	99-ON	1	<b>5550.VB07</b>
751P	Front Valve Body Casting (Late Style).....	99-ON	1	<b>5550.VB08</b>
Kit	Oversized Pressure Regulator & Boost Valve (Requires Toolkit 5550.VA04) (Sonnax® <a href="#">Click Here for Info</a> ) ...	99-ON	1	<b>5550.VA03</b>
Kit	Toolkit for 5550.VA03 (Sonnax®).....	99-ON	1	<b>5550.VA04</b>
Kit	Main Boost Valve & Sleeve (Sonnax® <a href="#">Click Here for Info</a> ) ...	99-ON	1	<b>5550.VA05</b>
Kit	Solenoid Modulator Valve Capsule (Sonnax® <a href="#">Click Here for Info</a> ) ...	99-ON	1	<b>5550.VA06</b>
Kit	Solenoid Relay Valve & Sleeve (Sonnax® <a href="#">Click Here for Info</a> ) ...	99-ON	1	<b>5550.VA07</b>
NI	Valve, Solenoid Relay (OEM) ...	99-ON	1	<b>5550.VA11</b>
Kit	Lock-Up Relay Control Valve & Sleeve (Sonnax® <a href="#">Click Here for Info</a> ) ...	99-ON	1	<b>5550.VA08</b>
NI	Sleeve, Lock-Up Relay (OEM)..	99-ON	1	<b>5550.VA10</b>
Kit	Lock-Up Control Valve & Sleeve (Sonnax® <a href="#">Click Here for Info</a> ) ...	99-ON	1	<b>5550.VA09</b>
Kit	LPC Accumulator Piston Kit (Sonnax® <a href="#">Click here for Info</a> ) ...	99-ON	1	<b>5550.VA12</b>
Kit	'O'-Ringed End Plug Kit (Sonnax® <a href="#">Click here for Info</a> ) ...	99-ON	1	<b>5550.VA13</b>
Kit	Secondary Regulator Valve & Spring Kit (Requires Tool 5550.VA15 & Valve Body Fixture AG4.VA05) (Sonnax® <a href="#">Click here for Info</a> ) ...	99-ON	1	<b>5550.VA14</b>
Kit	Toolkit for 5550.VA14 (Sonnax®).....	99-ON	1	<b>5550.VA15</b>
Kit	Universal Valve Body Fixture (Sonnax® <a href="#">Click here for Info</a> ) ...	99-ON	1	<b>AG4.VA05</b>
Kit	Valve Body Component Kit (Contains #750P, #451, #452 & 'O' Rings) .....	99-ON	1	<b>5550.VBK01</b>
Kit	'B4' Release Valve Kit (Requires 5550.VA17 Toolkit & Valve Body Fixture AG4.A05) (Sonnax® <a href="#">Click here for Info</a> ) ...	99-ON	1	<b>5550.VA16</b>
Kit	Toolkit for 5550.VA16 (Sonnax®).....	99-ON	1	<b>5550.VA17</b>
Kit	Neutral Relay Valve, Oversize Requires Tool 5550.VA21 & VB Fixture AG4.VA05 (Sonnax® <a href="#">Click here for Info</a> ) ...	99-ON	1	<b>5550.VA19</b>
Kit	Solenoid Modulator Valve, Oversize Requires Tool 5550.VA21 & VB Fixture AG4.VA05 (Sonnax® <a href="#">Click here for Info</a> ) ...	99-ON	1	<b>5550.VA20</b>
Kit	Toolkit for 5550.VA19/20 (Sonnax®).....	99-ON	1	<b>5550.VA21</b>

ILL NO.	DESCRIPTION	YEARS	QTY	PART NO
<b>VALVE BODY PARTS Cont...</b>				
Kit	L/U Control Valve & Boost, Oversize Requires Tool 5550.VA23 & VB Fixture AG4.VA05 With Adaptor 5550.VA24 (Sonnax® <a href="#">Click here for Info</a> ) ...	99-ON	1	<b>5550.VA22</b>
Kit	Toolkit for 5550.VA22 (Sonnax®).....	99-ON	1	<b>5550.VA23</b>
Kit	Adaptor plate for Fixture 5550.VA22 (Sonnax®).....	99-ON	1	<b>5550.VA24</b>
NI	Spring 'B5' Control valve (Pack of 5) (Sonnax® <a href="#">Click here for Info</a> ) ...	05-ON	AR	<b>5550.SPR01</b>
NI	Separator Plate (W/Gaskets) (Vectra '3A').....	99-ON	1	<b>5550.SP01</b>
NI	Separator Plate (W/Gaskets) (Volvo '2D').....	99-ON	1	<b>5550.SP02</b>
<a href="#">Click here for complete 55-50SN Sonnax® Valve Body Diagram</a>				
<b>HARD PARTS</b>				
803A	Pump Stator (22mm Shaft) .....	99-ON	1	<b>5550.PUM01</b>
820F	Front Planetary (Renault/Volvo)	99-ON	1	<b>5550.PL01</b>
822F	Large Annulus, Front Planetary (Renault/Volvo) .....	99-ON	1	<b>5550.GE01</b>
825F	Sun Gear, Front Carrier (1 Piece 27 Tooth).....	99-ON	1	<b>5550.SUN03</b>
832H	'C1'/'C2' Drum (22mm Shaft) (20 Spline).....	99-ON	1	<b>5550.DRU01</b>
832H	'C1'/'C2' Drum (Late Model 7 Holes in Shaft) (Has 6 holes on one side and 1 hole on the other side) (22m Shaft) .....	99-ON	1	<b>5550.DRU03</b>
832H	'C1'/'C2' Drum (Late Model 10 Holes in Shaft) (Has 8 holes on one side and 2 hole on the other side) (22m Shaft) .....	99-ON	1	<b>5550.DRU06</b>
NI	Conversion Kit, Converts Units With 21.5mm Input Shaft to 22mm Input Shaft Kit Contains 'C1'/'C2' Drum with 22mm Input Shaft, Stator Support & Both Sungears Retro Fits All 55-50SN Transmissions With 21.5mm Input Shaft .....	99-ON	1	<b>5550.UP001</b>
842K	'C3' Drum (With Sun Gear) .....	99-ON	1	<b>5550.DRU02</b>
850M	End Cover (Volvo).....	99-ON	1	<b>5550.CAS01</b>
850M	End Cover (Renault) .....	99-ON	1	<b>5550.CAS02</b>
8620	4 x 4 Splined Stub Shaft .....	99-ON	1	<b>5550.SH01</b>
867P	Servo Cap Kit (Volvo).....	99-ON	1	<b>5550.CAP01</b>
868P	'B4' Band Servo & Pin Assy (Except Nissan 76.20mm Long) 99-ON	99-ON	1	<b>5550.SER01</b>
	(Except Nissan 76.70mm Long) 99-ON	99-ON	1	<b>5550.SER02</b>
	(Except Nissan 77.20mm Long) 99-ON	99-ON	1	<b>5550.SER03</b>
	(Except Nissan 77.70mm Long) 99-ON	99-ON	1	<b>5550.SER04</b>
	(Except Nissan 78.20mm Long) 99-ON	99-ON	1	<b>5550.SER05</b>
	(Nissan Only 63.70mm Long) ...	99-ON	1	<b>5550.SER06</b>
	(Nissan Only 64.20mm Long) ...	99-ON	1	<b>5550.SER07</b>
	(Nissan Only 64.70mm Long) ...	99-ON	1	<b>5550.SER08</b>
	(Nissan Only 65.20mm Long) ...	99-ON	1	<b>5550.SER09</b>
	(Nissan Only 65.70mm Long) ...	99-ON	1	<b>5550.SER10</b>
871P	Bell Housing Casing (Volvo Check Trans I.D.).....	99-ON	1	<b>5550.CAS04</b>
<b>SPECIAL ITEMS</b>				
NI	Repair, Maincase Counter Gear With Bushing.....	99-ON	1	<b>5550.CAS32</b>
NI	Bolt, Converter (Volvo).....	99-ON	6	<b>5550.NUT01</b>

# AW55-50SN, AW55-51SN

## 5 SPEED FWD (Electronic Control)



A  
U  
T  
O  
M  
A  
T  
I  
C  
C  
H  
O  
I  
C  
E



T  
H  
E  
A  
U  
T  
O  
M  
A  
T  
I  
C  
T  
R  
A  
N  
S  
M  
I  
S  
S  
I  
O  
N  
P  
A  
R  
T  
S  
W  
A  
R  
E  
H  
O  
U  
S  
E

ILL NO.	DESCRIPTION	YEARS	QTY	PART NO
<b>TOOLS &amp; MANUALS</b>				
NI	GM Operation Manual AW55-50SN/AF23/33-5 .....	99-ON		<b>5550.MAN01</b>
NI	Technicians Diagnostic Guide (ATSG) .....	99-ON		<b>5550.MAN02</b>
<p><a href="#">Click here to view special tool for this transmission</a></p>				

ILL NO.	DESCRIPTION	YEARS	QTY	PART NO