

# Getrag 6DCT450 (MPS6) Ford, Volvo, Chrysler 6 Speed Dual Clutch Transmission (Electronic Control)

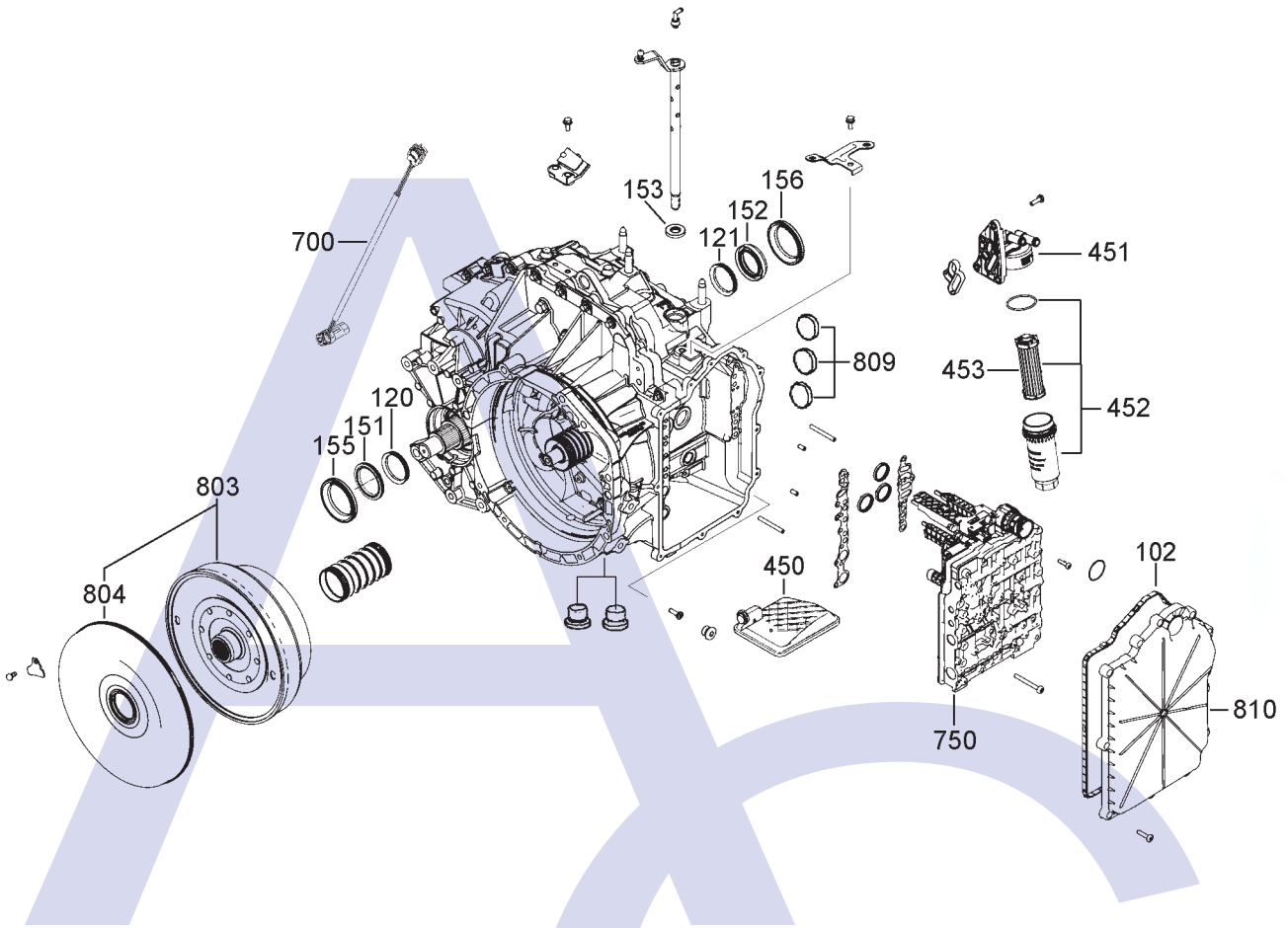


AUTOMATIC CHOICE

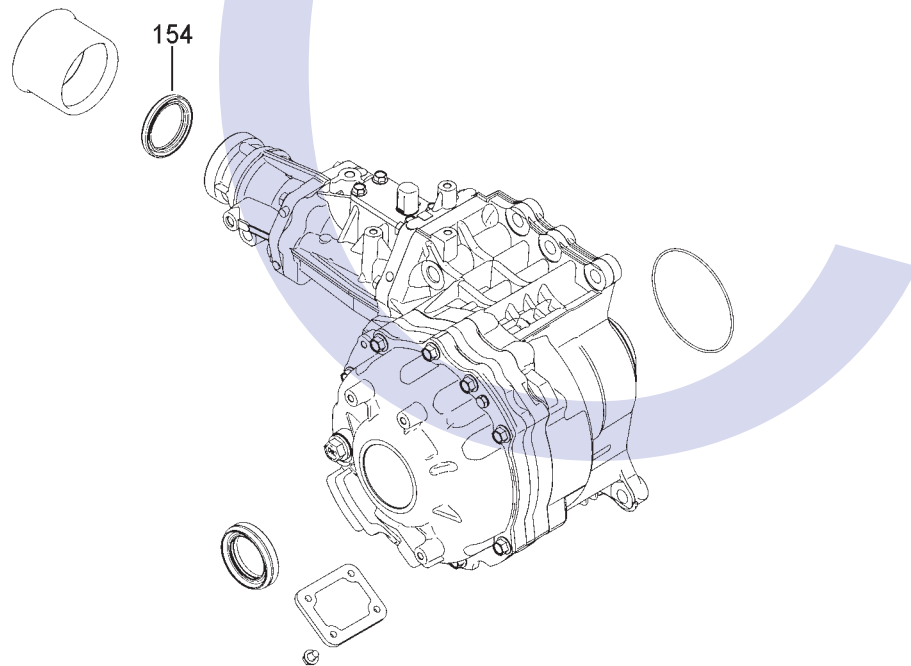


THE AUTOMATIC TRANSMISSION PARTS WAREHOUSE

A



B



# Getrag 6DCT450 (MPS6)

Ford, Volvo, Chrysler

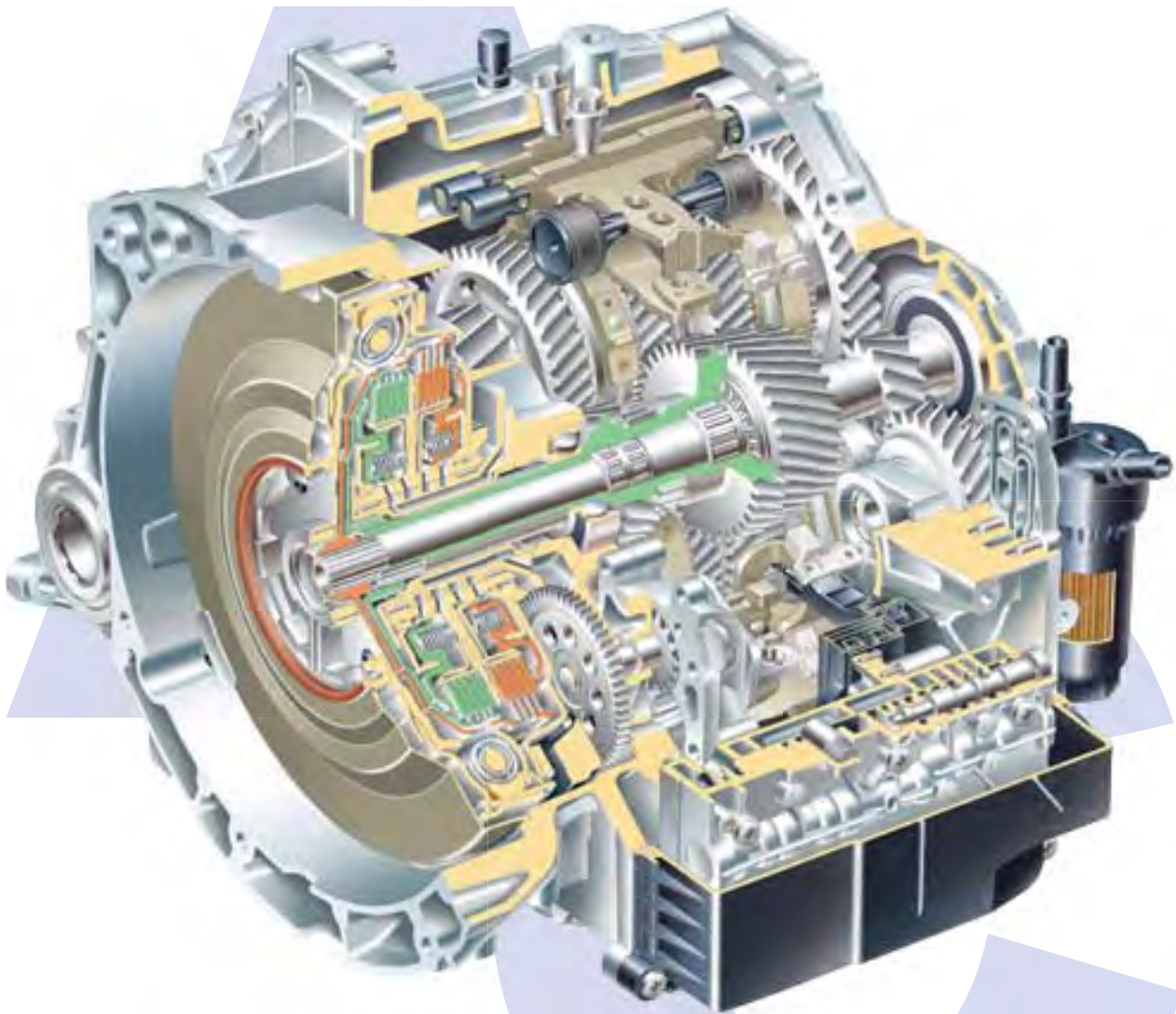
6 Speed Dual Clutch Transmission (Electronic Control)



A  
U  
T  
O  
M  
A  
T  
I  
C  
C  
H  
O  
I  
C  
E



T  
H  
E  
A  
U  
T  
O  
M  
A  
T  
I  
C  
T  
R  
A  
N  
S  
M  
I  
S  
S  
I  
O  
N  
P  
A  
R  
T  
S  
W  
A  
R  
E  
H  
O  
U  
S  
E



# Getrag 6DCT450 (MPS6)

## Ford, Volvo, Chrysler

### 6 Speed Dual Clutch Transmission (Electronic Control)



AUTOMATIC CHOICE



THE AUTOMATIC TRANSMISSION PARTS WAREHOUSE

ILL NO.	DESCRIPTION	YEARS	QTY	PART NO
<b>KITS</b>				
Kit	Overhaul Kit Without Pistons (Transtec) (DCT450/MPS6) .....	08-ON	1	<b>MPS6.OHK01</b>
Kit	Overhaul Kit With Pistons (Transtec) (DCT450/MPS6) .....	08-ON	1	<b>MPS6.OHK02</b>
Kit	Overhaul Kit With Pistons (Precision) (DCT450/MPS6) .....	08-ON	1	<b>MPS6.OHK51</b>
Kit	Overhaul Kit Without Pistons (Precision) (DCT450/MPS6) .....	08-ON	1	<b>MPS6.OHK52</b>
<b>GASKETS</b>				
102A	Oil Pan .....	08-ON	1	<b>MPS6.GAS01</b>
<b>RUBBER COMPONENTS</b>				
120A	'O' Ring, Diff Shaft R/H .....	08-ON	1	<b>MPS6.OR02</b>
121A	'O' Ring, Diff Shaft L/H .....	08-ON	1	<b>MPS6.OR02</b>
<b>METAL CLAD SEALS</b>				
NI	Front Dampener .....	08-ON	1	<b>MPS6.MCS01</b>
151A	Axle Right Hand .....	08-ON	1	<b>MPS6.MCS02</b>
152A	Axle Left Hand .....	08-ON	1	<b>MPS6.MCS02</b>
153A	Manual Shaft .....	08-ON	1	<b>MPS6.MCS03</b>
154B	Rear 4x4 Seal .....	08-ON	1	<b>MPS6.MCS04</b>
155A	Oil Shield R/H .....	08-ON	1	<b>MPS6.RET02</b>
156A	Oil Shield L/H .....	08-ON	1	<b>MPS6.RET02</b>
<b>MOULDED PISTONS</b>				
Kit	Piston Kit (Precision) .....	08-ON	1	<b>MPS6.PISKIT51</b>
NI	Bonded Shift Piston (Large) (Transtec) .....	08-ON	2	<b>MPS6.PIS02</b>
<b>SEALING RINGS</b>				
Kit	Sealing Ring (Transtec) .....	08-ON	1	<b>MPS6.SRK01</b>
Kit	Sealing Ring (Precision) .....	08-ON	1	<b>MPS6.SRK51</b>
<b>FRICITION PLATES</b>				
Kit	Friction Plate (Precision) .....	08-ON	1	<b>MPS6.FRK51</b>
<b>STEEL PLATES</b>				
Kit	Steel Plate (Precision) .....	08-ON	1	<b>MPS6.STK51</b>
<b>PRESSURE PLATES</b>				
<b>SPRINGS &amp; CIRCLIPS</b>				

ILL NO.	DESCRIPTION	YEARS	QTY	PART NO
<b>FILTERS</b>				
450A	Internal Filter .....	08-ON	1	<b>MPS6.FIL01</b>
451A	Main Housing, External Filter (AM) .....	08-ON	1	<b>MPS6.FIL02</b>
452A	Cartridge, Filter Housing & 'O' Ring (OEM) (Volvo, Ford) .....	08-ON	1	<b>MPS6.FIL14</b>
453A	Cartridge Only (Precision) (Volvo, Ford) .....	08-ON	1	<b>MPS6.FIL04</b>
<b>BUSHINGS</b>				
<b>THRUST WASHERS &amp; BEARINGS</b>				
<b>ELECTRICAL COMPONENTS</b>				
700A	Sensor, Engine Speed Fits Internaly Behind Bell Housing .....	08-ON	1	<b>MPS6.ELE01</b>
<b>VALVE BODY PARTS</b>				
750A	Mechatronic Unit (Ford) .....	08-ON	1	<b>MPS6.VB01</b>
<b>HARD PARTS</b>				
803A	Double Clutch Unit, 2.0L Duratorq 136/140/163ps Diesel Engines Including Clutch Cover. (OE Remanufactured) .....	11-ON	1	<b>MPS6.DRU01</b>
803A	Double Clutch Unit, 2.0L Duratorq 136/140/163ps Diesel Engines Including Clutch Cover. (OE New) .....	11-ON	1	<b>MPS6.DRU21</b>
803A	Double Clutch Unit, 2.0L Duratorq 136/140/163ps Diesel Engines Including Clutch Cover. (OE New) .....	TO-12/10	1	<b>MPS6.DRU26</b>
803A	Double Clutch Unit, Ford Galaxy 2.0L Ecoboost 203ps Including Clutch Cover. (OE Remanufactured) .....	08-ON	1	<b>MPS6.DRU02</b>
803A	Double Clutch Unit, Ford Galaxy 2.0L Ecoboost 203ps Including Clutch Cover. (OE New) .....	08-ON	1	<b>MPS6.DRU22</b>
803A	Double Clutch Unit, Ford Galaxy 2.0L Ecoboost 240ps Including Clutch Cover. (OE Remanufactured) .....	08-ON	1	<b>MPS6.DRU03</b>
803A	Double Clutch Unit, Ford Galaxy 2.0L Ecoboost 240ps Including Clutch Cover. (OE New) .....	08-ON	1	<b>MPS6.DRU23</b>
803A	Double Clutch Unit, Ford Focus Including Clutch Cover. (OE New) .....	08-ON	1	<b>MPS6.DRU24</b>
804A	Moulded Front Cover (OEM) .....	08-ON	1	<b>MPS6.COV01</b>
809A	Shaft Cover (18mm) .....	08-ON	3	<b>MPS6.COV03</b>
810A	Valve Body Cover .....	08-ON	1	<b>MPS6.COV02</b>

# Getrag 6DCT450 (MPS6)

## Ford, Volvo, Chrysler

### 6 Speed Dual Clutch Transmission (Electronic Control)



A  
U  
T  
O  
M  
A  
T  
I  
C  
C  
H  
O  
I  
C  
E



T  
H  
E  
A  
U  
T  
O  
M  
A  
T  
I  
C  
T  
R  
A  
N  
S  
M  
I  
S  
S  
I  
O  
N  
P  
A  
R  
T  
S  
W  
A  
R  
E  
H  
O  
U  
S  
E

ILL NO.	DESCRIPTION	YEARS	QTY	PART NO
<b>SPECIAL ITEMS</b>				
NI	Dual Mass Fly Wheel (Vehicle Details Required)	08-ON	1	MPS6.FLYxx
Oil	OEM Oil Transmission Quantities Required 7.5 Litres from empty (Including cooler) 5.5 Litres drain & refill (1 Litre Bottle)	08-ON	AR	MPS6.OIL01
	(5 Litre Canister)	08-ON	AR	MPS6.OIL02
<b>TOOLS &amp; MANUALS</b>				
NI	MPS6 Choice Tech Handout (ATSG)	08-ON	AR	MPS6.MAN01
NI	MPS6, SPS6 Manual	08-ON	AR	MPS6.MAN02

[Click here to see special tools available for this unit](#)

ILL NO.	DESCRIPTION	YEARS	QTY	PART NO
---------	-------------	-------	-----	---------