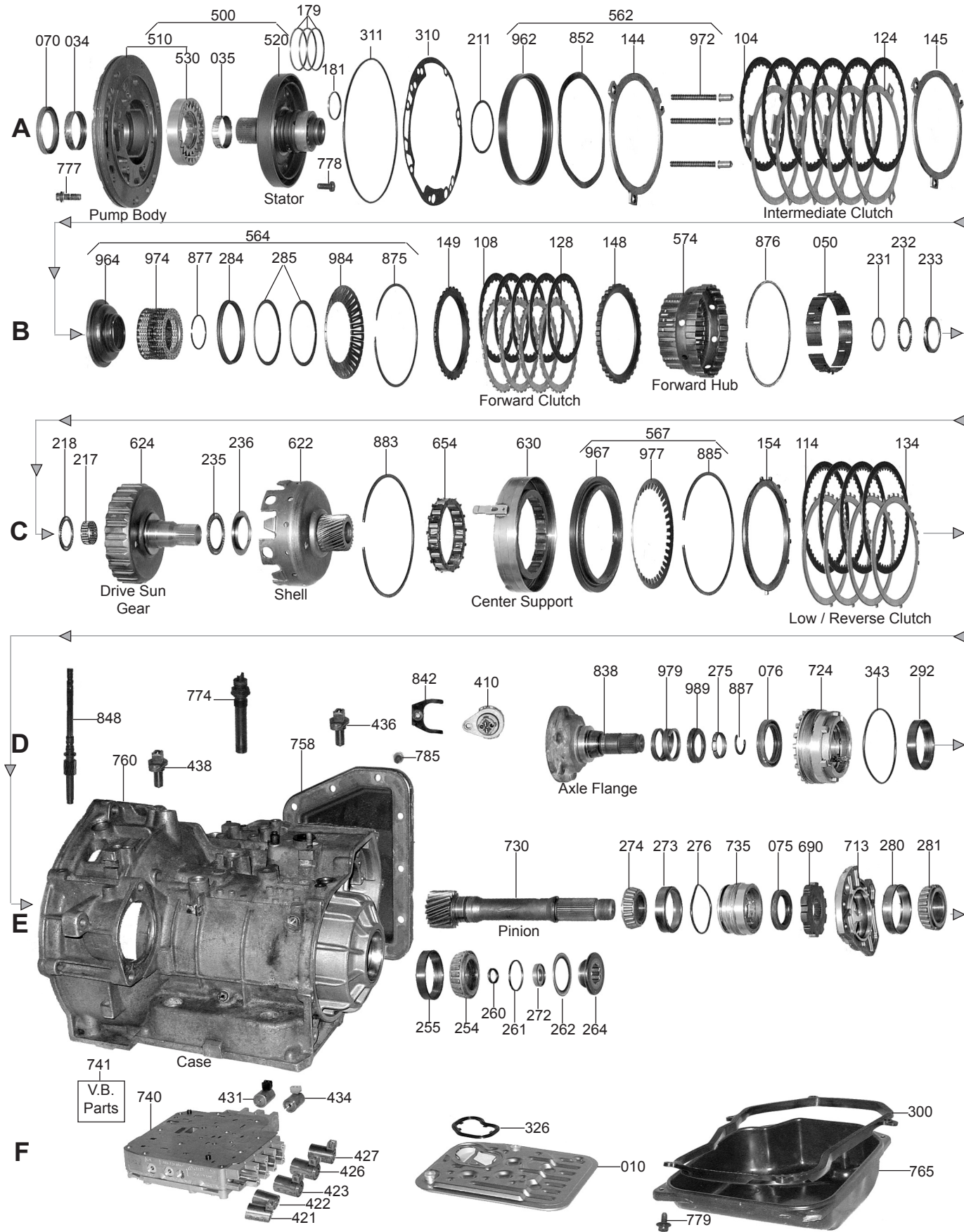
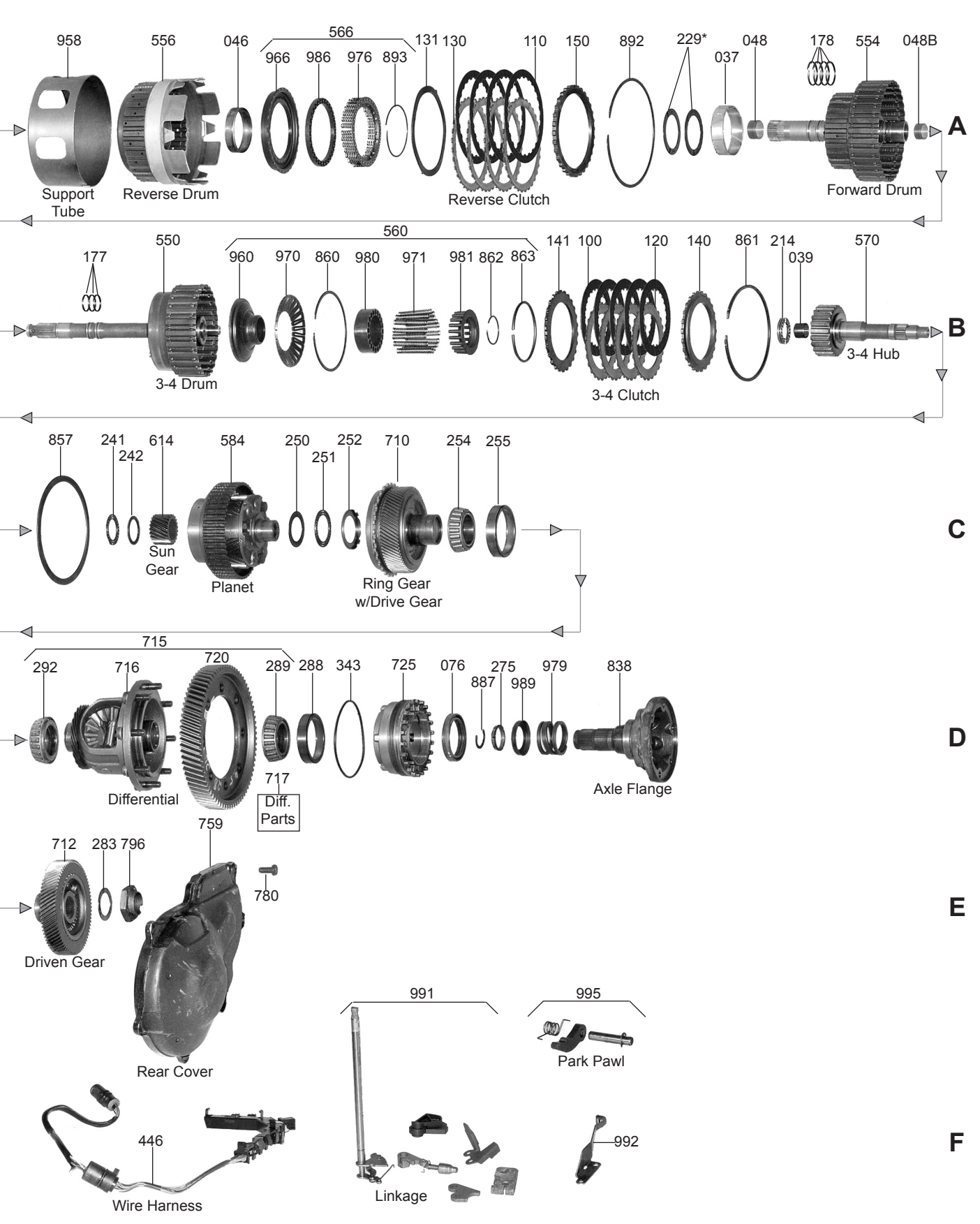


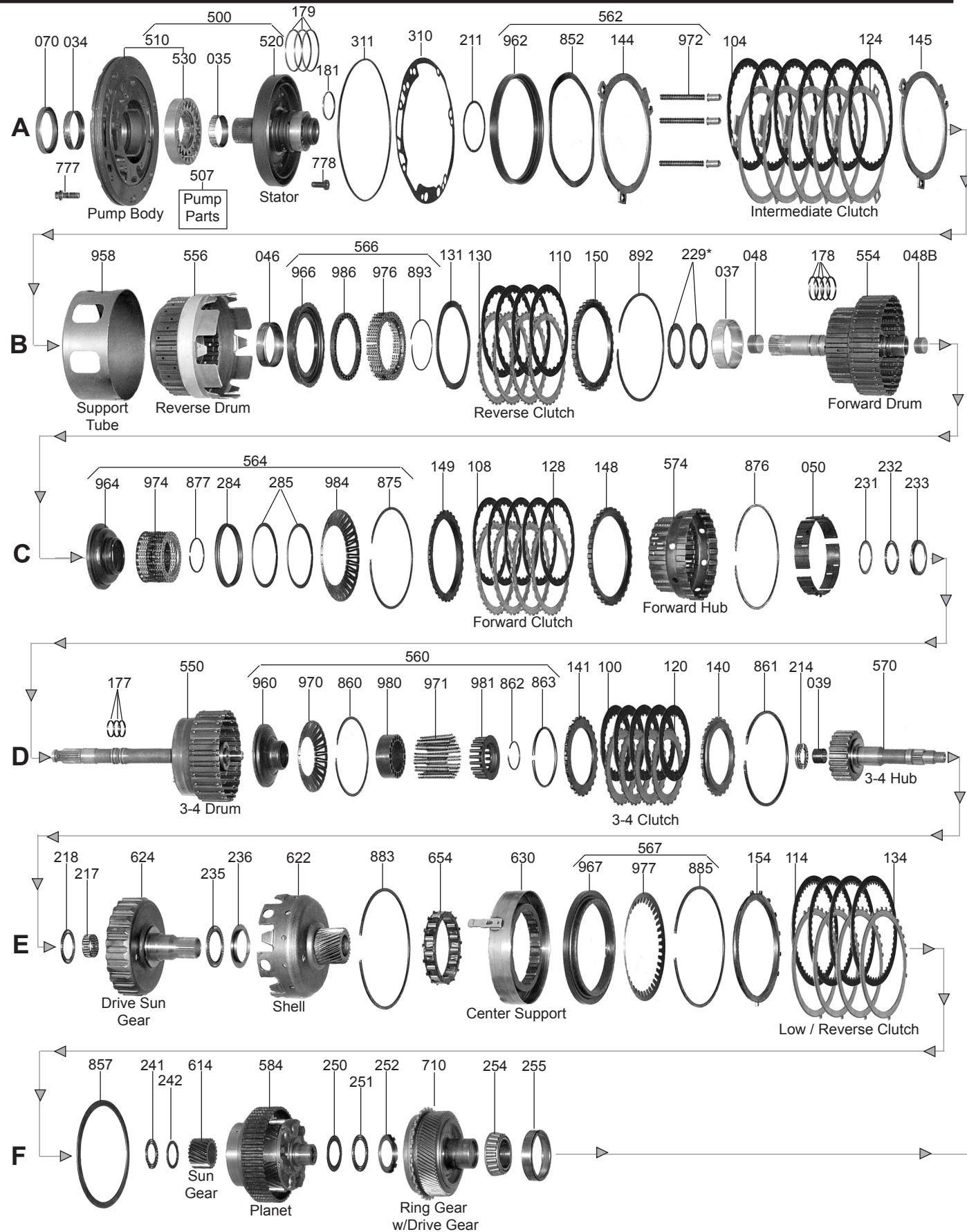
FWD 4 Spd



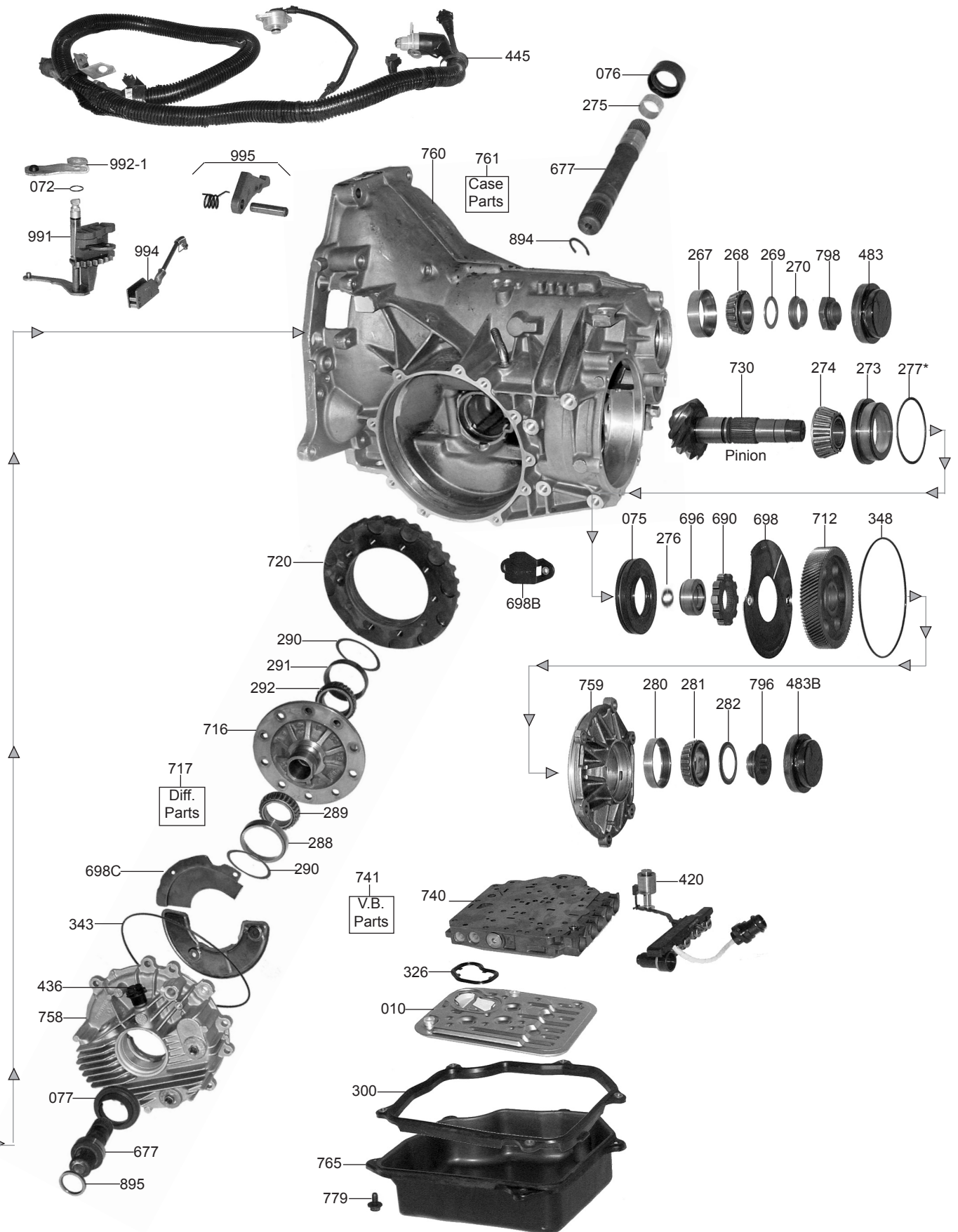
FWD 4 Spd



FWD 4 Speed



FWD 4 Speed



VW/AUDI AG4 095/096(01M)/098(01P)/097(01N)

ILL#	PART #	DESCRIPTION	QTY	REF #
		OVERHAUL KITS		
	K111900	Overhaul Kit, 095/096 W/Pistons (German Built) 1989-12/94	1	
	K119900X	Overhaul Kit, 095/096 W/Out Piston (German & Mexican Built) 1989-12/94	1	
	K119900A	Overhaul Kit, 01M W/Pistons 1/95-03, 096 (Mexican Built) 8/93-12/94	1	
	K119900B	Overhaul Kit, 097(AG4) W/ Pistons (German Built) 1989-12/94	1	
	K119900BX	Overhaul Kit, 097(AG4) W/Out Pistons (German Built) 1989-12/94	1	
	K119900E	Overhaul Kit, 098(AG4) W/ Bonded Pistons (German Built) 1992-94	1	
	K119900EX	Overhaul Kit, W/Out Pistons 098(AG4) (German Built) 1992-94, 01P/099 1/95-03,	1	
		098 8/93-12/94 (Mexican Built)		
	K119900G	Overhaul Kit, W/Pistons, 01N 1/95-03, 097 1/93-12/94 (Mexican Built Code "CFS")	1	
	K119900GX	Overhaul Kit, W/Out Pistons, 01N 1/95-03, 097 1/93-12/94 (Mexican Built Code "CFS")	1	
	K119900K	Overhaul Kit, W/Pistons, 01P/099 1/95-03, 098 8/93-12/94 (Mexican Built)	1	
		MASTER L/STEEL KIT		
	DK11900S	Master L/Steels Kit, W/Pistons 095, 096 (AG4) German Built, 1989-12/94	1	
	DK11900XS	Master L/Steels Kit, W/Out Pistons 095, 096 (AG4) German Built, 1989-12/94	1	
	DK11900AS	Master L/Steels Kit, W/Pistons 01M (All), 096 Mexican Built, 01M 1/95-03 (All	1	
		Except 01-03 Jetta VR-6 & Passat VR-6), 096 8/93-12/94		
	DK11900AXS	Master L/Steels Kit, W/Out Pistons 01M (All), 096 Mexican Built, 01M 1/95-03 (All	1	
		Except 01-03 Jetta VR-6 & Passat VR-6), 096 8/93-12/94		
	DK11900BS	Master L/Steels Kit, W/Pistons 097 (AG4) German Built, 1989-12/94	1	
	DK11900BXS	Master L/Steels Kit, W/Out Pistons 097 (AG4) German Built, 1989-12/94	1	
	DK11900ES	Master L/Steels Kit, W/Pistons 098 (AG4) German Built, Eurovan, Sharon, 1992-94	1	
	DK11900EXS	Master L/Steels Kit, W/Out Pistons 098 (AG4) German Built, Eurovan, Sharon, 1992-94	1	
	DK11900GS	Master L/Steels Kit, W/Pistons 01N(All) 1/95-03, 097 Mexican Built Code "CFS"1/93-12/94	1	
	DK11900GXS	Master L/Steels Kit, W/Out Pistons 01N(All) 1/95-03, 097 Mex Built Code "CFS"1/93-12/94	1	
	DK11900KS	Master L/Steels Kit, W/Pistons 01P/099 (All), 1/95-03, 098 Mexican Built, 8/93-12/94	1	
		MASTER W/STEEL KIT		
	DK11900	Master W/Steels Kit, W/Pistons 095, 096 (AG4) German Built, 1989-12/94	1	
	DK11900X	Master W/Steels Kit, W/Out Pistons 095, 096 (AG4) German Built, 1989-12/94	1	
	DK11900A	Master W/Steels Kit, W/Pistons 01M (All), 096 Mexican Built, 01M 1/95-03 (All	1	
		Except 01-03 Jetta VR-6 & Passat VR-6), 096 8/93-12/94		
	DK11900AX	Master W/Steels Kit, W/Out Pistons 01M (All), 096 Mexican Built, 01M 1/95-03 (All	1	
		Except 01-03 Jetta VR-6 & Passat VR-6), 096 8/93-12/94		
	DK11900B	Master W/Steels Kit, W/Pistons 097 (AG4) German Built, 1989-12/94	1	
	DK11900BX	Master W/Steels Kit, W/Out Pistons 097 (AG4) German Built, 1989-12/94	1	
	DK11900E	Master W/Steels Kit, W/Pistons 098 (AG4) German Built, Eurovan, Sharon, 1992-94	1	
	DK11900EX	Master W/Steels Kit, W/Out Pistons 098 (AG4) German Built, Eurovan, Sharon, 1992-94	1	
	DK11900G	Master W/Steels Kit, W/Pistons 01N(All) 1/95-03, 097 Mexican Built Code "CFS"1/93-12/94	1	
	DK11900GX	W/Steels Kit, W/Out Pistons 01N(All) 1/95-03, 097 Mexican Built Code "CFS"1/93-12/94	1	

VW/AUDI AG4 095/096(01M)/098(01P)/097(01N)

	DK11900K	Master W/Steels Kit, W/Pistons 01P/099 (All), 1/95-03, 098 Mexican Built, 8/93-12/94	1	
		FILTER		
010	119710	Filter, 1990-95 (With Kidney Shape Inlet)	1	095-325-429D
010	119710A	Filter, 1996-Up (With Round Inlet)	1	01M-325-429
		FILTER KIT		
011	TBA	Filter Kit, 095/096/097/098	1	
011	TBA	Filter Kit, 096 (With Lip Seal) 1996-Up	1	
		BUSHINGS		
030	K119905	Bushing Kit, 095/096/097/098	1	
	119905-01K	Bsh & Wsh Kit, Includes: Fwd Drum/K1, Shaft/K1 (096/097/098 Only), Rev Drum/K2,	1	Sonnax
		Pump Gear, Pump Hsg Bushings And 2-Washers (1-OE Thick & 1-.015" Oversize)		
		*Recommended Removal & Install Tools: 119905-TL1, 119905-TL2, 119905-TL5		
034	119005	Bushing, 095/096/097/098 Pump Body	1	
035	119024	Bushing, 095/096/097/098 Inner Pump Gear	1	
037	119004	Bushing, 095/096/097/098 Forward Drum (Large) (Front) (To Stator)	1	
039	119007	Bushing, 095/096/097/098 3-4 Hub (Pilot) (Front) (To Forward Drum)	1	
048	119001	Bushing, 095/096/097/098 Forward Drum Shaft (Small) (Front)	1	
048	119002	Bushing, 095/096/097/098 Forward Drum Shaft (Small) (Rear)	1	
050	119013A	Bushing, 095/096 (01M) Forward Hub To 3-4 Drum (Plastic Insert) (.768" Tall)	4	
050	119013B	Bushing, 097/098 Forward Hub To 3-4 Drum (Plastic Insert) (.650" Tall)	4	
		METAL CLAD SEALS		
070	119151	Seal, 095/096/097/098 Front	1	096-95-321-243
072	119152	Seal, 095/096/097/098 Manual Shaft Lever	1	
075	119153	Seal, 095/096/01M Pinion/Output Shaft Large-52mm	1	096-323-862-A
	119153A	Seal, 095/096/01M Pinion/Output Shaft Small-50mm	1	095-323-862-A
	119153B	Seal, 097/01N Pinion/Output Shaft	1	
	119153C	Seal, 098/01P Pinion/Output Shaft	1	
076	79309	Seal, 095/096/01M Axle Both Sides, 01N Left	2	
	119154	Seal, 098/01P Axle Both Sides, 01N Right	2	
	119155	Seal, 097 Axle Left	1	
	119156	Seal, 097 Axle Right	1	
		FRICTION CLUTCH		
100	119108	Friction, 095/096/097/098 3-4 Clutch (K3) .063" (3.80"OD) 22 Teeth 1990-94	4-6	
100	119108A	Friction, 095/096/097/098 3-4 Clutch (K3) .063" (4.05"OD) 1995-Up	4-6	
100	119108B	Friction, 095/096 (01M) 3-4 Clutch (K3) (.049"(.22 Internal Teeth)(1 Sided) 200-03	4-6	
120	119108C	Friction, 095/096 (01M) 3-4 Clutch (K3) (.048"(.28 External Teeth)(1 Sided) 2000-03	4-6	
104	119102	Friction, 095/096/097/098 Intermediate Clutch (B2) .063" (6.10"OD) 32 Teeth 1990-Up	4-6	
108	119106	Friction, 095/096/097/098 Fwd Clu (K1) .063" (4.80"OD) 24T (Also Rev Clu K2) 1990-Up	4-10	
110	119106	Friction, 095/096/097/098 Reverse Clutch (K2) .063" (4.80"OD) 24 Teeth 1990-Up	4-5	
114	119103	Friction, 095/096/097/098 Low/Reverse Clutch (B1) .063" (5.75"OD) 50 Teeth 1990-Up	4-5	
119	K119F	Friction Module, 095/096/097 1989-94	1	
	K119AF	Friction Module, 095/096/097 1995-Up	1	

VW/AUDI AG4 095/096(01M)/098(01P)/097(01N)

STEEL CLUTCH				
120	119109	Steel, 095/096/097/098 3-4 Clutch (K3) .079" (2.80"ID) 26 Teeth 1990-94	3-5	
120	119109B	Steel, 095/096/097/098 3-4 Clutch (K3) .063" (2.80"ID) 28 Teeth 1995-Up	4-6	
120	119109A	Steel, 095/096/097/098 3-4 Clutch (K3) .058" (2.80"ID) 28 Teeth 1995-Up	4-6	
120	119108C	Friction, 095/096 (01M) 3-4 Clutch (K3) (.048")(28 External Teeth)(1 Sided) 2000-03	4-6	
124	119104	Steel, 095/096/097/098 Intermediate Clutch (B2) .079" (5.35"ID) 3 Teeth 1990-Up	5-7	
124	119104A	Steel, 095/096/097/098 Intermediate Clutch (B2) .089" (5.35"ID) 3 Teeth 1990-Up	AR	
124	119104B	Steel, 095/096/097/098 Intermediate Clutch (B2) .095" (5.35"ID) 3 Teeth 1990-Up	AR	
124	119104G	Steel, 095/096/097/098 Intermediate Clutch (B2) .108" (5.35"ID) 3 Teeth 1990-Up	AR	
124	119104C	Steel, 095/096/097/098 Intermediate Clutch (B2) .118" (5.35"ID) 3 Teeth 1990-Up	AR	
128	119107	Steel, 095/096/097/098 Fwd Clu (K1) .079" (4.10"ID) 32T (Also Rev Clu K2) 1990-Up	4-10	
128	119107A	Steel, 095/096/097/098 Forward Clutch (K1) .057" (4.10"ID) 32 Teeth 1995-Up	4-6	
130	119107	Steel, 095/096/097/098 Reverse Clutch (K2) .079" (4.10"ID) 32 Teeth 1990-Up	5	
131	119107C	Steel, 095/096/097/098 Reverse Clutch (Cushion) .058" (2 Teeth)	1	
134	119100	Steel, 095/096/097/098 Low/Reverse Clutch (B1) .079" (5.10"OD) 12 Teeth 1990-94	4-5	
134	119100A	Steel, 095/096/097/098 Low/Reverse Clutch (B1) .057" (5.10"OD) 12 Teeth 1995-Up	4-6	
CLUTCH PRESSURE PLATES				
140	119139A	Pressure Plate, 095/096/097/098 3-4 Clutch (Top) K3 (.125") 26 Teeth	1	
140	119139AA	Pressure Plate, 095/096/097/098 3-4 Clutch (Top) K3 (28 Teeth)	1	
141	119139B	Apply Plate, 095/096/097/098 3-4 Clutch (Bottom) K3 (26 Teeth)	1	
141	119139BA	Apply Plate, 095/096/097/098 3-4 Clutch (Bottom) K3 (28 Teeth)	1	
144	119134	Pressure Plate, 095/096/097/098 Intermediate Clutch (Front) B2	1	
145	119134AA	Apply Plate, 095/096/097/098 Intermediate Clutch (Rear) B2	1	
148	119131	Pressure Plate, 095/096/097/098 Forward Clutch (Top) K1	1	
149	119131AA	Apply Plate, 095/096/097/098 Forward Clutch (Bottom) K1	1	
150	119131	Press Plate, 095/096/097/098 Rev Clu (Top) K2 .171" Thick On ID (.188" Thick On OD)	1	
150	119131A	Press Plate, 095/096/097/098 Rev Clu (Top) K2 .121" Thick On ID, .188" Thick On OD)	1	
150	119131B	Pressure Plate, 095/096/097/098 Reverse Clutch (Top) K2 .251" Overall Thickness	1	
154	119130A	Pressure Plate, 095/096/097/098 Low/Reverse Clutch (Top) B1	1	
VALVE BODY KITS				
165	K119908	Shift Kit, 095/096 (01M) Fits Units With Round Lip Seal Grommet Type Filter 1995-Up	1	TRANSGO
OIL SEALING RINGS				
175	K119903	Ring Kit, 095/096/097/098	1	
177	119301	Ring, 095/096/097/098 Input Shaft	2	
178	119302	Ring, 095/096/097/098 Turbine Shaft	4	
179	119303	Ring, 095/096/097/098 Reverse Clutch	2	
181	119304	Ring, 095/096/097/098 Forward Clutch	1	
WASHERS & BEARINGS				
	K119907	Washer Kit, 095/096/097/098	1	
211	119403	Washer, 095/096/097/098 Stator To Reverse Drum (Plastic)	1	095-323-345
214	119415	Bearing W/Race, 095/096/097/098 3-4 Clutch Drum To 3-4 Clutch Hub	1	
217	119416	Cage Bearing, 095/096/097/098 3-4 Clutch Hub To Drive Hub	1	095 323 907

VW/AUDI AG4 095/096(01M)/098(01P)/097(01N)

218	119417	Bearing, 095/096/097/098 3-4 Clutch Hub To Drive Hub	1	095 323 909
229	119404	Washer, 095/096/097/098 Rev Clu Drum To Fwd Clu Drum (Plastic)(.045" Thk)	1	
231	119440	Race, 095/096/097/098 Forward Clutch Drum To 3-4 Clutch Drum (Front)	1	095 323 165
232	119418	Bearing, 095/096/0947/098 Forward Clutch Drum To 3-4 Clutch Drum	1	
233	119441	Race, 095/096/097/098 Forward Clutch Drum To 3-4 Clutch Drum (Rear)	1	
235	119419	Bearing, 095/096/097/098 Drive Hub To Sun Shell	1	095 323 708
236	119442	Race, 095/096/097/098 Drive Hub To Sun Shell	1	095 323 714
241	119420	Bearing, 095/096/097/098 Sun Shell To Rear Sun Gear 1990-92	1	095 323 727
241	119420A	Bearing, 095/096/097/098 Sun Shell To Rear Sun Gear 1993-95	1	095 323 727B
242	119443	Race, 095/096/097/098 Sun Shell To Rear Sun Gear	1	095 323 715
250	119402	Race, 095/096/097/098 Planet To Ring Gear (Front)	1	095 323 739
251	119421	Bearing, 095/096/097/098 Planet To Ring Gear	1	
252	119401	Race, 095/096/097/098 Planet To Ring Gear (Rear)	1	095 323 743A
254	119977	Tapered Bearing, 095/096/097/098 Ring Gear To Case	2	003 519 185
255	119978	Cup Race, 095/096/097/098 Ring Gear To Case	2	
262	119405	Washer, 095/096/097/098 Collar To Bearing	1	
264	119444	Collar/Nut, 095/096/098 Rear Planet Ring Gear To Case Bearing	1	
272	119422	Bearing W/Races, 095/096/098 Rear Planet Ring Gear To Collar/Nut	1	
273	119978A	Cup Race, 095/096/097/098 Pinion Bearing Cup	1	
274	119977A	Tapered Bearing, 095/096/097/098 Pinion	1	
275	119406	Washer, 095/096/097/098 Axle Flange To Differential Housing	1	
276	119407	Washer, 095/096/097/098 Park Gear To Pinion Bearing	1	
280	119978B	Cup Race, 095/096/097/098 Driven Transfer Gear Bearing	1	
281	119977B	Tapered Bearing, 095/096/097/098 Driven Transfer Gear	1	
283	119423	Bearing W/Races, 095/096/097/098 Transfer Driven Gear To Bolt	1	
284	119445	Spacer, 095/096/097/098 Under Forward Clutch Beveled Spring	1	
285	119446	Shim, 095/096/097/098 Under Forward Clutch Beveled Spring	1	
288	119978C	Cup Race, 095/096/097/098 Differential Bearing Cup (Rear)	1	
289	119977C	Tapered Bearing, 095/096/097/098 Differential (Rear)	1	
291	119978D	Cup Race, 095/096/097/098 Differential Bearing Cup (Front)	1	
292	119977D	Tapered Bearing, 095/096/097/098 Differential (Front)	1	
GASKETS & RUBBER COMPONENTS				
300	119500	Gasket, 095/096/01M Bottom Pan	1	
300	119500A	Gasket, 097 Bottom Pan	1	
	119500C	Gasket, 01N Bottom Pan		
300	119500B	Gasket, 098/099/01P Bottom Pan	1	
303	119506	Gasket, 095/096/097/098 Differential Cover	1	
304	119505	Gasket, 095/096/097/098 Transfer Gear Cover	1	
310	119503	Gasket, 095/096/097/098 Pump 1989-12/1994 (German Built)	1	
310	119503A	Gasket, 095/096/097/098 Pump 1/1995-Up	1	
311	119522	O-Ring, 095/096/097/098 Pump	1	
326	TBA	Gasket, 095/096/097/098 Filter	1	
TECHNICAL MANUALS				

VW/AUDI AG4 095/096(01M)/098(01P)/097(01N)

400	TM096-097	Technical Manual, 095/096/097/098	1	
400	TBA	Technical Manual, AG4 (095/096/01M) Technical Diagnostic Guide	1	
ELECTRICAL COMPONENTS				
410	119987A	PRNDL Switch, 095/096/098 (7 Prong) (1 Bolt) (Cast # 095 919 823A)	1	
410	119987B	PRNDL Switch, 095/096/098 (7 Prong) (1 Bolt) (Cast # 095 919 823B)	1	
410	119987	PRNDL Switch, 095/096/098 (7 Prong) (1 Bolt) (Cast # 095 919 823F)	1	
421	119952	Solenoid, 095/096/097/098 Shift (Takes 6 Per Transmission)	6	
431	119954	Solenoid, 095/096 EPC/Lock-Up	1	
446	119957	Internal Wire Harn W/ Case Conne, 095/096/097/098 (Brass Strap Type) Brass Strap	1	096-927-365
		From The Case Conn Has 90 Degree Bend & T's Into Center Of Sol Conn Brass Strap		
446	119957A	Internal Wire Harn W/ Case Conn, 095/096/097/098 (Brass Strap Type) Brass Strap	1	01M-927-365
		From The Case Conn Is Straight & Elbows 90 Degrees In The End Of Solenoid Conn		
446	119957B	Internal/External Wire Harn W/ Pass Through Case Conn, 095/096/097/098 (Brass Strap	1	097-927-365-D
		Type)External Wire Harn 17 3/4" Long Between Pass Thru Conn & External Conn		
446	119957C	Internal/External Wire Harn W/ Pass Through Case Conn, 095/096/097/098 (Brass Strap	1	098-927-365A
		Type) External Wire Harn Is 12" Long Between Pass Thru Conn & External Conn		
446	119987R	Replacement Internal/External Wire Harness, 095/096/097 & Some 098 (Eliminates OE	1	350-0070
		Brass Strap Type Harness) Universal Applications, Rostra, 1990-Up		
MISC. COMPONENTS				
490	TBA	Vent, 095/096/097/098 Case	1	
491	TBA	Vent, 095/096/097/098 Differential	1	
HARD PARTS				
500	119912	Pump Complete, 095/096/097/098	1	
510	119916	Pump Body W/Gears, 095/096/097/098 (Cast # 095 321 247B)	1	
510	119916B	Pump Body W/Gears, 095/096/097/098 (Cast # 01M 321 247)	1	
520	119915A	Stator, 095/096/097/098 With 4 Large Holes & 1 Small Hole Inside Tube (No Check	1	
		Valves On Flat Surface Of Stator)		
520	119915B	Stator, 095/096/097/098 With 4 Large Holes & 1 Small Hole Inside Tube (With 1	1	
		Check Valve On Flat Surface Of Stator)		
520	119915C	Stator, 095/096/097/098 With 10 Feed Holes Inside Tube	1	
520	119915D	Stator, 095/096/097/098 With 4 Large Holes & 1 Small Hole Inside Tube (With 3 Check	1	
		Valves On Flat Surface Of Stator)		
550	119917A	Drum, 095/096/097/098 3-4 Clutch With Solid Shaft (5 Clutch) 26 Teeth Steels 1989-94	1	
550	119917B	Drum, 095/096/097/098 3-4 Clutch With Solid Shaft (4 Clutch) 28 Teeth Steels 1989-94	1	
550	119917C	Drum, 095/096/097/098 3-4 Clutch With Solid Shaft (5 Clutch) 28 Teeth Steels 1989-94	1	
550	119917D	Drum, 095/096/097/098 3-4 Clutch With Hollow Shaft (4 Clutch) 28 Teeth Steels 1995-Up	1	
550	119917E	Drum, 095/096/097/098 3-4 Cluth With Hollow Shaft (5 Clutch) 28 Teeth Steels 1995-Up	1	
554	119920	Drum, 095/096/097/098 Forward With Shaft (5 Clutch) 1990-95 (Uses A Bellville Spring)	1	
554	119920A	Drum, 095/096/097/098 Fwd With Shaft (5-Clu) 1990-95 (Does Not Use Bellville Spring)	1	
554	119920B	Drum, 095/096/097/098 Forward Less Shaft 1996-Up	1	
556	119918	Drum, 095/096/097/098 Reverse Clutch (5 Clutch)	1	
570	119741A	Clutch Hub, 095/096/097/098 3-4 Clu Hub W/ Solid Shaft (Fits Shell W/ 24T Sun Gear)	1	

VW/AUDI AG4 095/096(01M)/098(01P)/097(01N)

570	119741B	Clutch Hub, 095/096/097/098 3-4 Clu Hub W/ Solid Shaft (Fits Shell W/ 27T Sun Gear)	1	
574	119742A	Clutch Hub, 095/096/097/098 Forward Clutch	1	
584	119821	Planet, 095/096/097/098 Rear (W/Out Sun Gear - Sun Gear Slides Out)	1	
584	119821A	Planet, 095/096/097/098 Rear (W/ Sun Gear - Sun Gear Stays In The Planet)	1	
614	119755A	Sun Gear, 095/096/097/098 Rear (21 Teeth)	1	
622	119764A	Shell, 095/096/097/098 With Sun Gear (27 Teeth)	1	
622	119764B	Shell, 095/096/097/098 With Sun Gear (27 Teeth) 1.890"OD Where Gear Rides	1	
624	119743A	Hub, 095/096/097/098 Drive With Hollow Shaft (Fit Shell With 24T Sun Gear)	1	
624	119743B	Hub, 095/096/097/098 Drive With Hollow Shaft)Fits Shell With 27T Sun Gear)	1	
630	119826A	Center Support, 095/096/097/098 Rear	1	
SPRAGS & ONE WAY CLUTCHES				
654	119727	Sprag, 095/096/097/098 Rear	1	
HARD PARTS (Continued)				
690	119824A	Gear, 095/096/097/098 Park (10 Teeth)	1	
710	TBA	Gear, 095/096/097/098 Transfer Drive With Ring Gear (62 Teeth)	1	
710	TBA	Gear, 095/096/097/098 Transfer Drive With Ring Gear (71 Teeth)	1	
710	TBA	Gear, 095/096/097/098 Transfer Drive With Ring Gear (72 Teeth)	1	
710	TBA	Gear, 095/096/097/098 Transfer Drive With Ring Gear (75 Teeth)	1	
710	TBA	Gear, 095/096/097/098 Transfer Drive With Ring Gear (45 Teeth) (.745" Thick)	1	
710	TBA	Gear, 095/096/097/098 Transfer Drive With Ring Gear (45 Teeth) (.930" Thick)	1	
712	TBA	Gear, 095/096/097/098 Transfer Driven (75 Teeth)	1	
712	TBA	Gear, 095/096/097/098 Transfer Driven (61 Teeth)	1	
712	TBA	Gear, 095/096/097/098 Transfer Driven (51 Teeth)	1	
712	TBA	Gear, 095/096/097/098 Transfer Driven (44 Teeth)(.828" Thick)	1	
712	TBA	Gear, 095/096/097/098 Transfer Driven (73 Teeth)	1	
712	TBA	Gear, 095/096/097/098 Transfer Driven (63 Teeth)(.750" Thick)(4.700"OD)	1	
713	TBA	Retainer, 095/096/097/098 Aluminum 4 Bolt	1	
715	TBA	Differential W/Ring Gear, 095/096/097/098 (76 Teeth)	1	
716	TBA	Differential Housing, 095/096/097/098 Less Ring Gear	1	
720	TBA	Ring Gear, 095/096/097/098 Differential (76 Teeth)	1	
724	TBA	Retainer, 095/096/097/098 Differential Bearing (Front)	1	
725	TBA	Retainer, 095/096/097/098 Differential Bearing (Rear)	1	
730	TBA	Pinion, 095/096/097/098 (18 Teeth)	1	
735	TBA	Retainer, 095/096/097/098 Pinion Bearing (Aluminum)	1	
VALVE BODIES (DACCO VB#)				
740	VW-8902	Valve Body, 095/096, Kidney Shape Filter Inlet, 1990-94	1	
740	VW-8903	Valve Body, 01M, Round Filter Inlet, 1-Aluminum Plug, W/Out Exhaust Hole 1994-96	1	
740	VW-8904	Valve Body, 01M, Round Filter Inlet, 2-Aluminum Plugs, W/Out Exhaust Hole,	1	
		Cast # 01M 325 105, 1997-98		
740	VW-8905	Valve Body, 01M, Round Filter Inlet, 2-Aluminum PlugS, W/ Exhaust Hole,	1	
		Cast# 01M 325 105F 1999-Up		

VW/AUDI AG4 095/096(01M)/098(01P)/097(01N)

VALVE BODIES				
740	119754A	Valve Body, 095/096/097/098 (Cast # 283E) 1995-97	1	
740	119754AA	Valve Body, 095/096/097/098 (Cast # 283E) 1998-Up	1	
740	119754B	Valve Body, 095/096/097/098 (Cast # 283F) 1995-97	1	
740	119754BA	Valve Body, 095/096/097/098 (Cast # 283F) 1998-Up	1	
740	119754C	Valve Body, 095/096/097/098 (Cast # 283A) 1995-97	1	
740	119754CA	Valve Body, 095/096/097/098 (Cast # 283A) 1998-Up	1	
740	119754D	Valve Body, 095/096/097/098 (Cast # 283) 1995-97	1	
740	119754DA	Valve Body, 095/096/097/098 (Cast # 283) 1998-Up	1	
VALVE BODY COMPONENTS				
741	119940-01K	Kit, TCC Boost Valve, Sleeve & Spring, 01M, 01P	1	Sonnax
	119940-03K	Kit, Main Pressure Regulator, 01M, 01P, Requires: F-119940-TL3 & VB-FIX	1	Sonnax
	119940-04K	Valve, Oversized TCC Regulator, 01M, 01P, Requires: 119940-TL4	1	Sonnax
	119940-05K	Valve Kit, Boost Regulator, 01M, 01P, Requires: 119940-TL5 & VB-FIX	1	Sonnax
	119940-06K	Valve Kit, Solenoid Regulator, 096, 098, 01M, 01P, Requires: 119940-TL6 & VB-FIX	1	Sonnax
HARD PARTS (Continued)				
758	119704A	Cover, 095/096/097/098 Differential	1	
759	119705A	Cover, 095/096/097/098 Rear	1	
760	119701A	Case, 095/096/097/098 (Cast # 096 321 105AE)	1	
760	119701AA	Case, 095/096 (01M) (Cast # 105E)	1	
760	119701AB	Case, 095/096 (01M) (Cast # 105F)	1	
765	119801	Pan, 095/096/097/098 Bottom With Drain Plug	1	
765	119801A	Pan, 095/096/097/098 Bottom No Drain Plug	1	
774	TBA	Housing, 095/096/097/098 Driven Speed-O Gear (Black Plastic) (3 Blade Connector)	1	
796	TBA	Nut, 095/096/097/098 For Driven Gear	1	
838	TBA	Axle Flange, 095/096/097/098	1	
842	TBA	Bracket, 095/096/097/098 Holds Driven Speed-O Housing On	1	
852	TBA	Cushion, 095/096/097/098 Intermediate Clutch	1	
857	TBA	Cushion, 095/096/097/098 Low/Reverse Clutch	1	
892	119601	Snap Ring, 095/096/097/098 Holds Reverse Pressure Plate In Drum (.063")	1	
892	119601A	Snap Ring, 095/096/097/098 Holds Reverse Pressure Plate In Drum (.071")		
892	119601B	Snap Ring, 095/096/097/098 Holds Reverse Pressure Plate In Drum (.079")	1	
892	119601C	Snap Ring, 095/096/097/098 Holds Reverse Pressure Plate In Drum (.087")	1	
958	TBA	Tube, 095/096/097/098 Intermediate Support	1	
960	K119922	Piston Kit, 095/096/097/098 (Bonded)(5 Pistons) 1990-12/1994	1	
960	K119922A	Piston Kit, 095/096/097/098 (Bonded)(7 Pistons) 1/1995-Up	1	
960	119827	Piston, 095/096/097/098 3-4 Clutch (K3) (Bonded) 1990-94	1	
960	119827A	Piston, 095/096/097/098 3-4 Clutch (K3) (Bonded) 1995-Up	1	
962	119823	Piston, 095/096/097/098 Intermediate Clutch (B2)(Bonded) 1990-Up	1	
964	119825	Piston, 095/096/097/098 Forward Clutch (K1)(Bonded) 1990-94	1	
964	119825A	Piston, 095/096/097/098 Forward Clutch (K1)(Bonded) 1995-Up	1	
966	119824	Piston, 095/096/097/098 Reverse Clutch (Bonded) 1989-Up	1	

VW/AUDI AG4 095/096(01M)/098(01P)/097(01N)

967	119829	Piston, 095/096/097/098 Low/Reverse Clutch (B1)(Bonded) 1990-Up	1	
970	TBA	Beveled Spring, 095/096/097/098 3-4 Clutch Return	1	
971	119828	Spring, 095/096/097/098 3-4 Clutch Return	1	
972	TBA	Retainer W/Springs, 095/096/097/098 Intermediate Clutch	1	
974	TBA	Retainer W/Springs, 095/096/097/098 Forward Clutch	1	
976	TBA	Retainer W/Springs, 095/096/097/098 Reverse Clutch	1	
977	TBA	Diaphragm Spring, 095/096/097/098 Axle Flange	1	
979	TBA	Spring, 095/096/097/098 Axle Flange	1	
980	TBA	Retainer, 095/096/097/098 3-4 Clutch Spring (Bottom)	1	
981	TBA	Retainer, 095/096/097/098 3-4 Clutch Spring (Top)	1	
981	TBA	Retainer, 095/096/097/098 4th Clutch Spring (Bonded) 1995-Up	1	
984	TBA	Diaphragm Spring, 095/096/097/098 Forward Clutch	1	
984	TBA	Retainer, 095/096/097/098 Forward Clutch Spring (Bonded) 1995-Up	1	
988	TBA	Cooler, 095/096/097/098 External (Mounts To Case)	1	
989	TBA	Retainer, 095/096/097/098 Axle Spring	1	
991	TBA	Linkage Assembly, 095/096/097/098 Internal	1	
995	TBA	Park Pawl Assembly, 095/096/097/098	1	
998	119814-01K	Remote Cooler Adapter, 096/097/098 (Replaces Oil Cooler On Top Of Transmission)	1	Sonnax
		For Use With External Cooler	1	