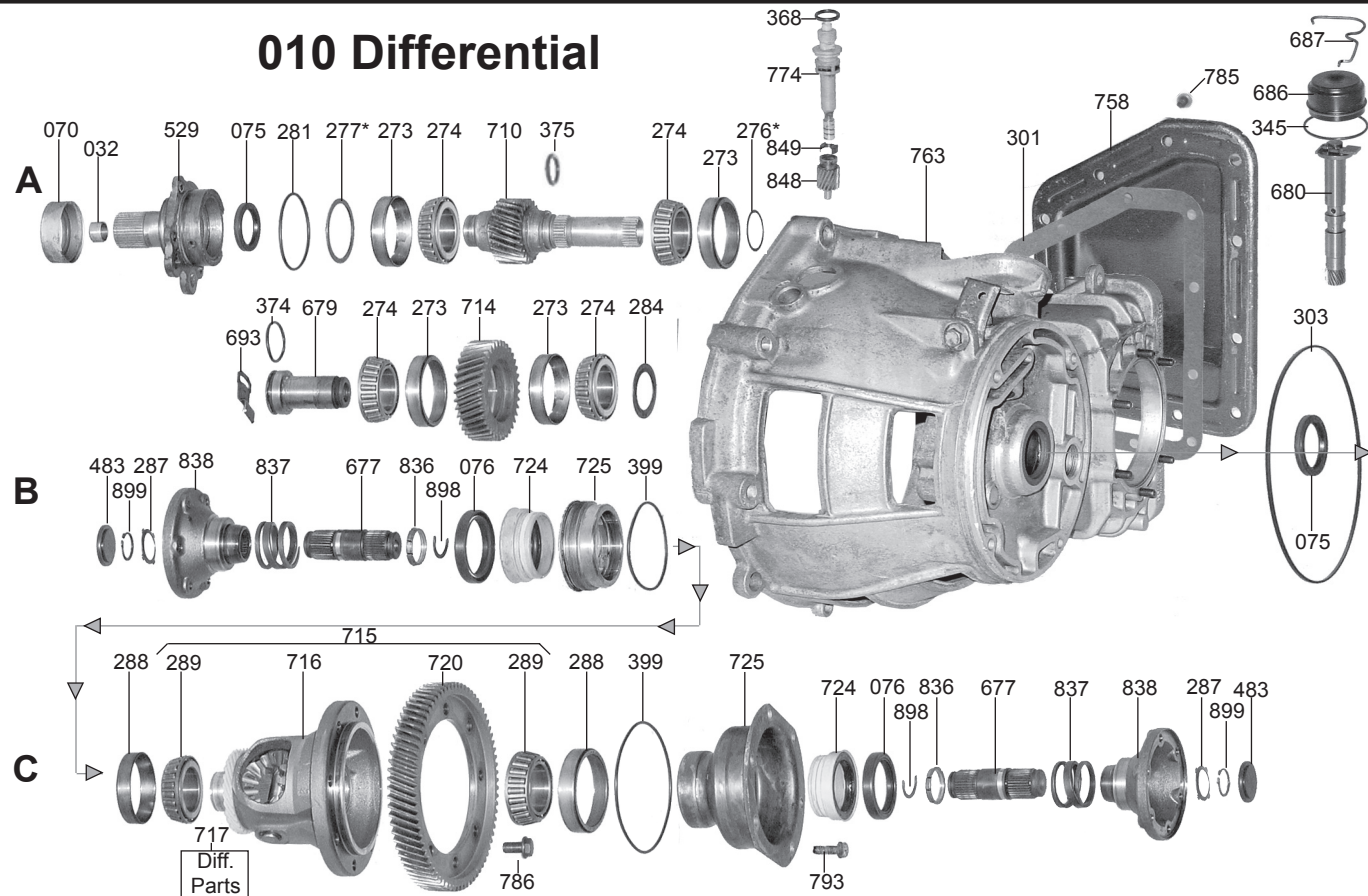
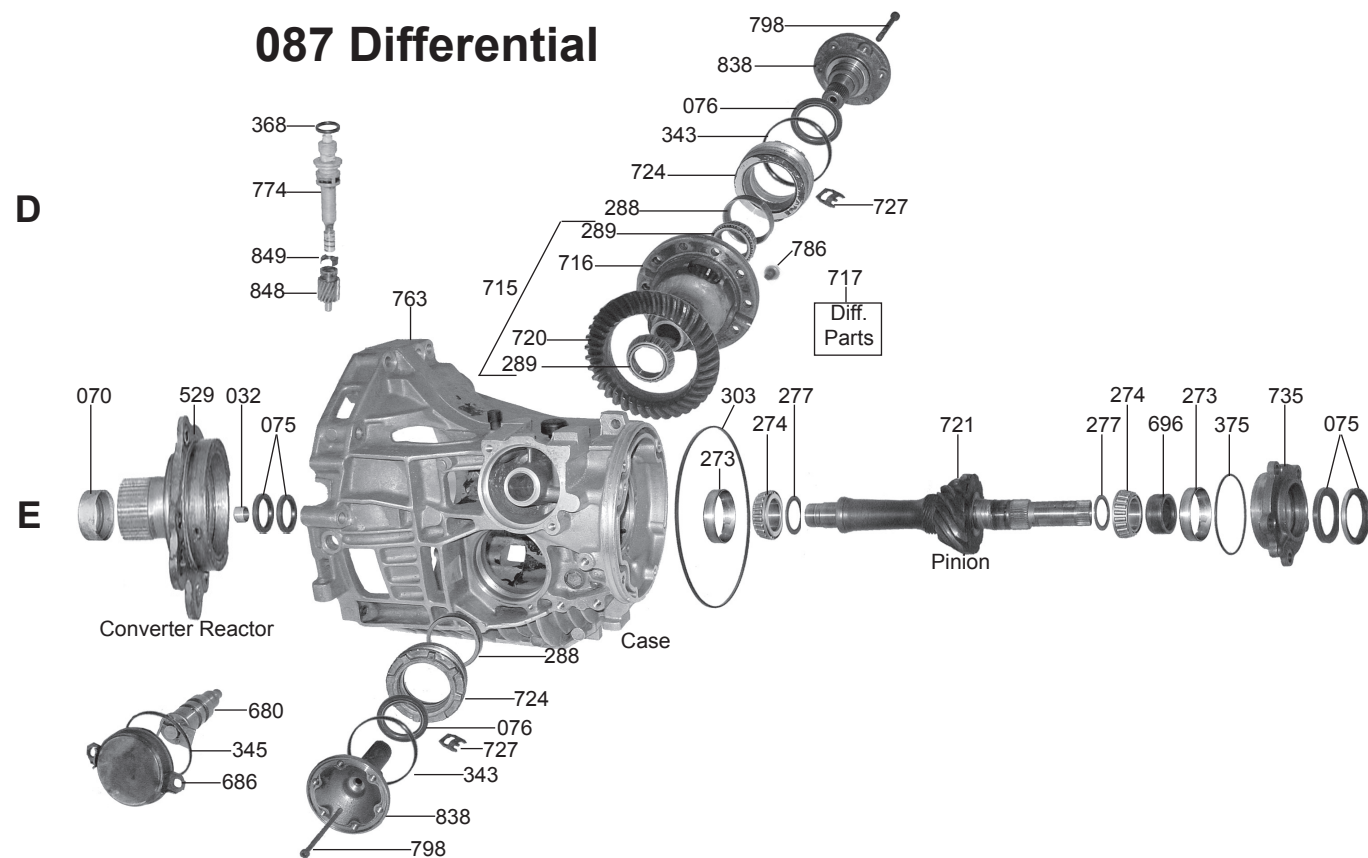


Transaxle 3 Speed

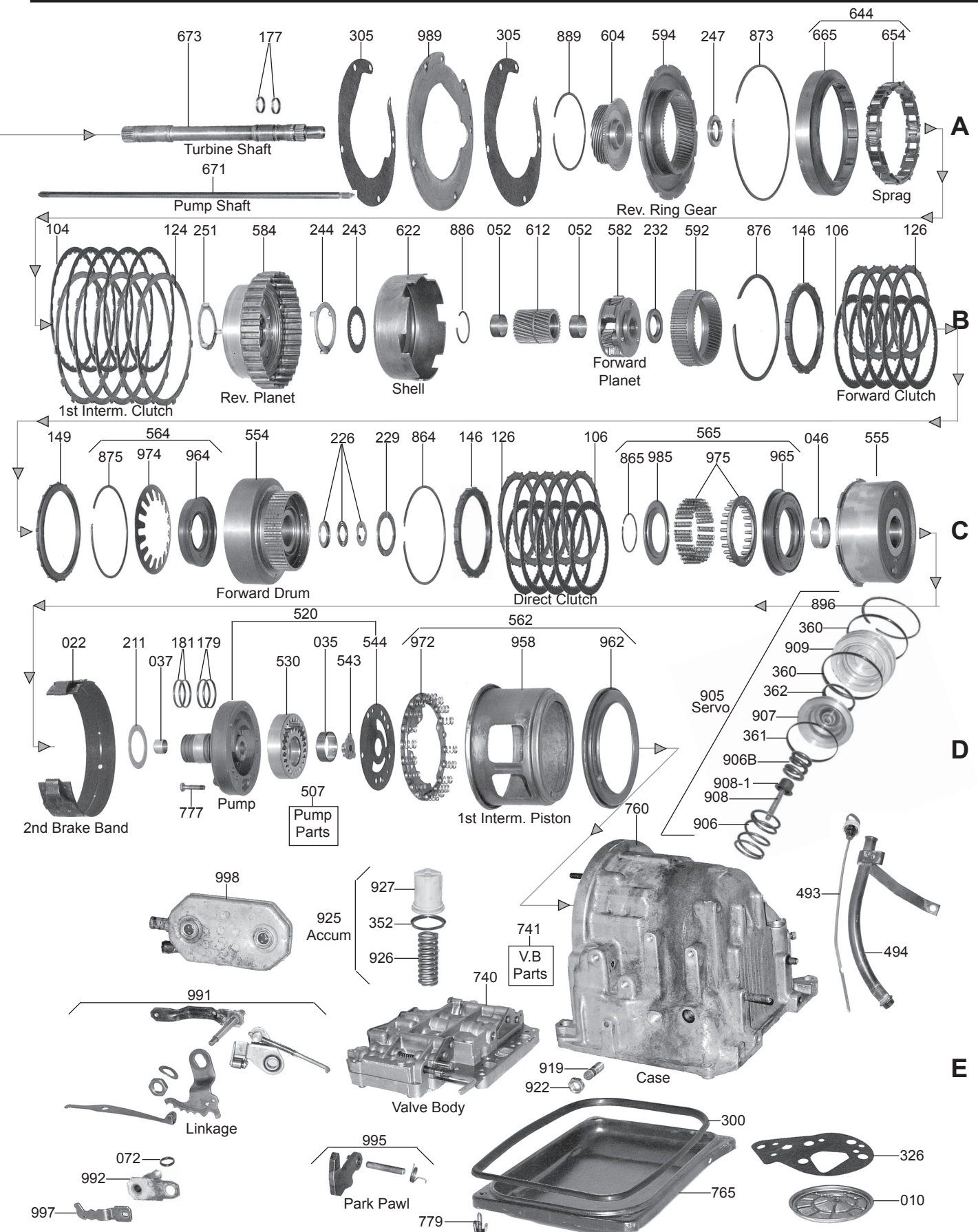
010 Differential



087 Differential



Transaxle 3 Speed



VW/Audi 010/087/089/090 (1 Band)

ILL#	PART#	DESCRIPTION	QTY	REF #
		OVERHAUL KITS		
	K79900	Overhaul Kit, 010/087/089/090 (Without Differential/Final Drive Seals) 1975-Up	1	
	K79900A	Overhaul Kit, 010 (With Differential/Final Drive Seals) 1975-Up	1	
	K79900B	Overhaul Kit, 087/89/090 (With Differential/Final Drive Seals) 1975-Up	1	
		SUB KITS & PISTON KITS		
	K79900B-1S	Vanagon, Sub Kit, 090, Use This Kit With K79900B, DK7900BS, DK7900B Kit	1	
	K79971	Bonded Pistons, 1975-82 (Include 1Ea: 79974, 79970 & 79973)	1	
	K79971A	Bonded Pistons, 1983-Up (Include 1Ea: 79974, 79970A & 79973)	1	
		MASTER L/STEEL KIT		
	DK7900S	Master L/Steels Kit, 010/089/(Without Differential/Final Drive Seals) 1975-Up	1	
	DK7900AS	Master L/Steels Kit, 010 (With Differential/Final Drive Seals) 1975-Up	1	
	DK7900BS	Master L/Steels Kit, 087/089/*090 (With Differential/Final Drive Seals) 1975-Up	1	
		*For Vanagon 090, Use K79900B-1S Subkit		
	K79900CS	Master L/Steels Kit, 087(W/ Diff/Final Drive Seals) Audi/Quantum/Porsche 924/944, 84-Up	1	
		MASTER W/STEEL KIT		
	DK7900S	Master W/Steels Kit, 010/089/(Without Differential/Final Drive Seals) 1975-Up	1	
	DK7900AS	Master W/Steels Kit, 010 (With Differential/Final Drive Seals) 1975-Up	1	
	DK7900BS	Master W/Steels Kit, 087/089/*090 (With Differential/Final Drive Seals) 1975-Up	1	
		*For Vanagon 090, Use K79900B-1S Subkit		
	K79900CS	Master W/Steels Kit, 087(W/Diff/Final Drive Seals) Audi/Quantum/Porsche 924/944, 84-Up	1	
		FILTER		
010	79710	Filter 010/089 Rectangular 1975-76	1	010-325-421
010	79710A	Filter, 010/087/089/090 Round 1977-Up	1	010-325-421A
		BANDS		
022	79700	Band, 010/087/089/090 1975-Up (Except 1983-Up Audi 5000)	1	010-323-461C
022	79700A	Band, 087 Audi 5000 1983-Up	1	
		BUSHINGS		
030	K79905	Bushing Kit, 010/087/089/090 1975-Up	1	
031	79002	Bushing, 010/087/089/090 Converter Hub (Use 79002)	1	003-323-611
032	39003	Bushing, 010/087/089/090 Converter Reactor	1	003-519-074
035	79002	Bushing, 010/087/089/090 Inner Pump Gear (Also Fits Converter Hub)	1-2	003-323-611
037	TBA	Bushing, 010/087/089/090 Pump Stator	1	003-321-254
046	79005	Bushing, 010/087/089/090 Direct Drum	1	010-323-115
052	79009	Bushing, 010/087/089/090 Sun Gear	2	010-323-217A
		METAL CLAD SEALS		
070	79303	Seal, 010/087/089 Front (Except 090) 1975-Up	1	010-409-568
070	39197	Seal, 090 Front 1977-Up	1	003-519-089D
075	79301	Seal, 010 Pinion Shaft (Rear) 1975-Up	1	010-409-529C
075	79305A	Seal, 087 Pinion Shaft (Front) 1979-Up	2	087-409-085A
075	79310	Seal, 089 Pinion Shaft (Front) 1976-Up	1	089-409-085B
075	79307	Seal, 089 Pinion Shaft (Rear) 1975-79	2	089-409-529A
075	39196	Seal, 010/090 Pinion Shaft (Front) 19754-Up	1	010-409-085D

VW/Audi 010/087/089/090 (1 Band)

075	79307A	Seal, 087 Pinion Shaft (Rear) 1979-Up	2	087-409-529A
076	79304	Seal, 010 Axle (Both Sides) 1979-83	2	010-409-085
076	79309	Seal, 010 Axle (Both Sides) 1984-Up	2	020-301-189M
076	79308	Seal, 087/089/090 Axle (Both Sides) 1975-Up	2	018-409-399
079	79302	Seal, 087 Turbine Shaft 1984-Up	1	087-323-559
080	79306	Seal, 087/089 Governor Shaft 1977-Up	1	087-409-133A
		FRICITION CLUTCH		
104	79106	Friction, 010/087/089/090 1st Intermediate Clutch (.061") 1975-Up	4-5	010-323-231
106	79103	Friction, 010/087/089/090 Forward & Direct Clutch (.090") (4.75"OD) 1975-Up	3-5	010-323-141C
106	79103A	Friction, 010/087/089/090 Direct Clutch (.090") (5.00"OD) 1983-Up	5	087-323-141A
106	79105	Friction, 010/087/089/090 Fwd Clu (.061")(4.75"OD)(With 1 Tooth Missing) 1975-Up	3-5	010-323-241C
106	79105D	Friction, 010 (Diesel) Forward Clu (.061") (With 2 Teeth Missing) 1978-88	5	010-223-241B
119	K79F	Friction Module, 010/087/089/090 1975-Up (Except 1983-Up Audi 5000)	1	
119	K79AF	Friction Module, 087 Audi 5000 1983-Up	1	
		STEEL CLUTCH		
124	79104	Steel, 010/087/089/090 1st Intermediate Clutch (.079") 1975-Up	4-5	010-323-227A
126	79100	Steel, 010/087/089/090 Forward & Direct Clutch (.079") (17 Teeth) 1975-Up	5-9	010-323-139
126	79100A	Steel, 087 Direct Clutch (.079") (53 Teeth) 1983-Up	5	087-323-139
	K79S	Steel Module, 010/087/089/090 1975-Up (Except 1983-Up Audi 5000)	1	
	K79AS	Steel Module, 087 Audi 5000 1983-Up	1	
		CLUTCH PRESSURE PLATES		
146	79267	Press Plate, 010/087/089/090 Fwd & Dir (Top) 1975-Up (Except 1983-Up Audi 5000)	1-2	
146	79264	Pressure Plate, 087 Direct (Top) Audi 5000 1983-Up	1	
149	79263	Pressure Plate, 010/087/089/090 Forward Clutch (Bottom) 1975-Up	1	
		OIL SEALING RINGS		
175	K79901	Ring Kit, 010/087/089/090 1975-Up	1	
177	79220	Ring, 010/087/089/090 Input Shaft 1975-Up	2	010-323-557A
179	79230	Ring, 010/087/089/090 Direct Clutch 1975-Up	2	010-321-261
181	39296	Ring, 010/087/089/090 Forward Clutch 1975-Up	2	003-321-261
		WASHERS & BEARINGS		
211	39564	Washer, 010/087/089/090 Pump To Direct Drum (Metal)	1	003-321-285
211	39564A	Washer, 010/087/089/090 Pump To Direct Drum (Plastic)	1	
226	39566	Washer, 010/087/089/090 Forward Drum To Pump	1	003-323-165
226	39566A	Bearing, 010/087/089/090 Forward Drum To Pump	1	
229	39565	Washer, 010/087/089/090 Forward Drum To Direct Drum (3Metal, 3 Tab)	1	003-323-161A
229	39565A	Washer, 010/087/089/090 Forward Drum To Direct Drum (Plastic)	1	003-323-161AP
232	79570	Bearing, 010/087/089/090 Forward Drum To Planet	1	
243	79568	Washer, 010/087/089/090 Drive Shell (29 Teeth Sun Gear)	1	010-323-291A
243	79568A	Washer, 010/087/089/090 Drive Shell (26 Teeth Sun Gear)	1	
243	79568B	Washer, 010/087/089/090 Drive Shell (28 Teeth Sun Gear)	1	
244	79571	Washer, 010/087/089/090 Rear Planet To Shell (3 Tab)	1	
247	79573	Bearing, 010/087/089/090 Annulus Gear To Sun Gear	1	
251	79572	Washer, 010/087/087/090 Annulus Gear To Rear Planet (Metal, 4 Tab)	1	010-323-291A
251	79572A	Washer, 010/087/089/090 Annulus Gear To Rear Planet (Plastic)	1	
273	TBA	Cup Race, 087 Pinion (Rear)	1	M88010

VW/Audi 010/087/089/090 (1 Band)

273	TBA	Cup Race, 087/089 Pinion (Front For 087) Front & Rear For 089	1-2	M86610
273	TBA	Cup Race, 010 Pinion & Idler (Both Sides)	4	LM67010
274	TBA	Bearing, 087 Pinion (Rear)	1	M88048
274	TBA	Bearing, 087/089 Pinion (Front For 087) Front & Rear For 089	1-2	M86649
274	TBA	Bearing, 010 Pinion & Idler (Both Sides)	4	LM67048
288	TBA	Cup Race, 087 Differential Carrier (Both Sides)	2	LM300811
288	TBA	Cup Race, 010/089 Differential Carrier (Both Sides)	2	LM29710
289	TBA	Bearing, 087 Differential Carrier (Both Sides)	2	LM300849
289	TBA	Bearing, 010/089 Differential Carrier (Both Sides)	2	LM29749
GASKETS & RUBBER COMPONENTS				
300	79500	Gasket, 010/087/089/090 Bottom Pan (Rubber)	1	010-321-371B
303	13620	Lathe Cut Seal, 010/087/089/090 Differential housing To Case	1	010-409-549B
305	79501	Gasket, 010/087/089/090 Transfer Plate To Differential	2	
326	79505	Gasket, 010/087/089/090 Round Filter To Valve Body	1	
359	TBA	Gasket, 010/087/089/090 2nd Servo Piston (outer)	1	
368	TBA	Gasket, 010/087/089/090 Speed-O Sleeve Without Cruise Control (.674"ID)	1	
368	TBA	Gasket, 010/087/089/090 Speed-O Sleeve With Cruise Control (.799"ID)	1	
371	3291	Gasket, 010/087/089/090 Filler Tube	1	6264902
TECHNICAL MANUALS				
400	TMVW003-010	Technical Manual, 010/087/089/090	1	83-003010TM
HARD PARTS				
520	79915	Stator W/Gears, 010/087/089/090 (Uses A Washer #226)	1	010-321-241A
520	79915A	Stator W/Gears, 010/087/089/090 (Uses A Bearing #226) Can Use 65520	1	
529	TBA	Converter Reactor, 087 (Need Cast #)	1	
529	TBA	Converter Reactor, 089 (Need Cast #)	1	
529	TBA	Converter Reactor, 010	1	
543	39915D	Flange, 010/087/089/090 Inner Pump Gear Drive	1	
544	79915P	Pump Plate, 010/087/089/090	1	010-321-279
554	79924	Drum, 010/087/089/090 Forward (3 Clutch) Washer Type	1	010-323-205A
554	79924A	Drum, 010/087/089/090 Forward (4 Clutch) Washer Type	1	010-323-205E
554	79924B	Drum, 010/087/089/090 Forward (5 Clutch) Bearing Type (Uses Flat Return Spring)	1	
554	79924C	Drum, 010/087/089/090 Forward (3 Clutch) Bearing Type	1	
554	79924D	Drum, 010/087/089/090 Forward (4 Clutch) Bearing Type	1	
554	79924E	Drum, 087 Forward (5 Clutch) Bearing Type (Uses Wire Return Spring)	1	
555	79920	Drum, 010/087/089/090 Direct (4 Clutch) 17 Teeth Steels	1	010-323-105B
555	79920A	Drum, 010/087/089/090 Direct (3 Clutch)	1	010-323-105E
555	79920B	Drum, 010/087/089/090 Direct (4 Clutch) 51 Teeth Steels	1	
555	79920C	Drum, 087 Direct (5 Clutch) (5.00"OD Frictions) 1983-Up	1	
582	79938	Planet, 010/087/089/090 Front (Uses 29 Teeth Sun Gear)	1	
582	79938A	Planet, 010/087/089/090 Front (3 Gear) (26 Teeth Sun Gear)	1	
582	TBA	Planet, 010/087/089/090 Front (4 Gear) (26 Teeth Sun Gear)	1	
582	79938B	Planet, 010/087/089/090 Front (3 Gear) (28 Teeth Sun Gear)	1	090-323-805
582	TBA	Planet, 010/087/089/090 Front (4 Gear) (28 Teeth Sun Gear)	1	
584	79939	Planet, 010/087/089/090 Rear (Uses 29 Teeth Sun Gear)	1	

VW/Audi 010/087/089/090 (1 Band)

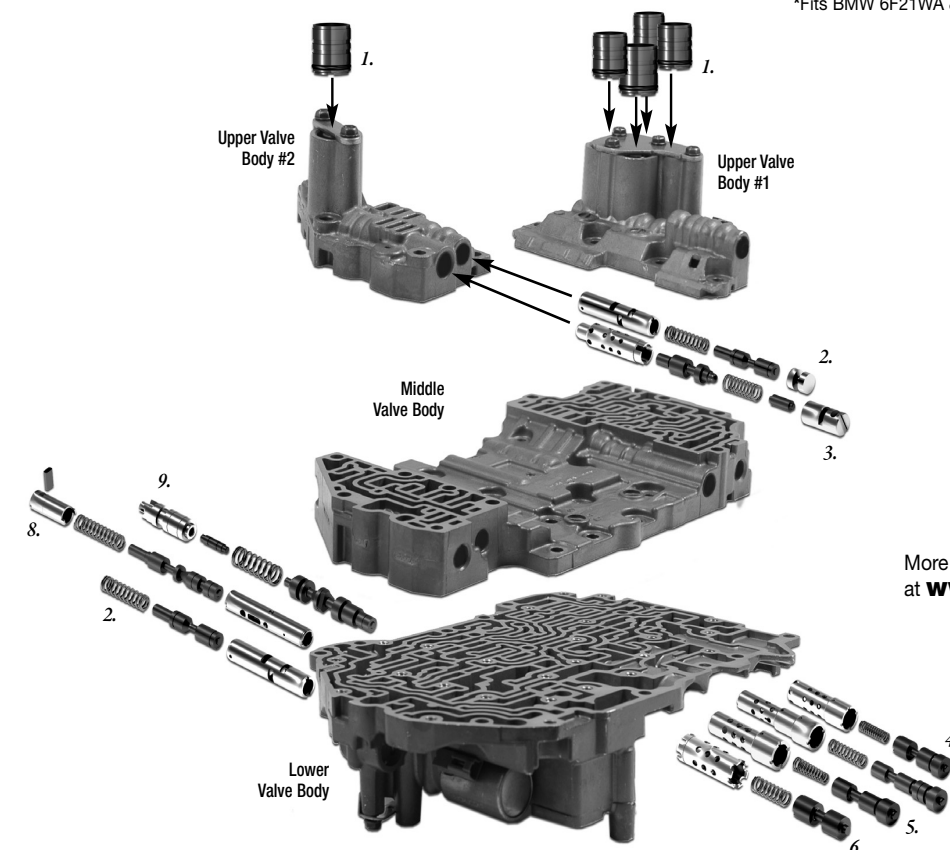
584	79939A	Planet, 010/087/089/090 Rear (3 Gear) (Uses 26 Teeth Sun Gear)	1	
584	TBA	Planet, 010/087/089/090 Rear (4 Gear) (Uses 26 Teeth Sun Gear)	1	
584	79939B	Planet, 010/087/089/090 Rear (3 Gear) (Uses 28 Teeth Sun Gear)	1	
584	TBA	Planet, 010/087/089/090 Rear (4 Gear) (Uses 28 Teeth Sun Gear)	1	
592	79930	Ring Gear, 010/087/089/090 Front Planet With Hub (Uses 29 Teeth Sun Gear)	1	
592	79930A	Ring Gear, 010/087/089/090 Front Planet With Hub (Uses 26 Teeth Sun Gear)	1	
592	79930B	Ring Gear, 010/087/089/090 Front Planet With Hub (Uses 28 Teeth Sun Gear)	1	
594	79940	Ring Gear With Hub, 010/087/089/090 Rear Annulus (Uses 29 Teeth Sun Gear)	1	
594	79940A	Ring Gear With Hub, 010/087/089/090 Rear Annulus (Uses 26 Teeth Sun Gear)	1	
594	79940C	Ring Gear With Hub, 010/087/089/090 Rear Annulus (Uses 28 Teeth Sun Gear)	1	
612	79933	Sun Gear, 010/087/089/090 (29 Teeth)	1	010-323-285
612	79933A	Sun Gear, 010/087/089/090 (26 Teeth)	1	010-323-285E
612	79933B	Sun Gear, 010/087/089/090 (28 Teeth)	1	
622	79936	Shell, 010/087/089/090 Driving (Uses 29 Teeth Sun Gear)	1	
622	79936A	Shell, 010/087/089/090 Driving (Uses 26 Teeth Sun Gear)	1	
622	79936B	Shell, 010/087/089/090 Driving (Uses 28 Teeth Sun Gear 5-5/8" Diameter Dir Drum)	1	
622	79936C	Shell, 087 Driving (Uses 28 Teeth Sun Gear 5-7/8" Diameter Dir Drum) 1983-Up	1	
SPRAGS & ONE WAY CLUTCHES				
644	79728	Sprag Assembly W/Race, 010/087/089/090 (With Lugs On OD Of Outer Race)	1	
644	79728A	Sprag Assembly W/Race, 010/087/089/090 (No Lugs On OD Of Outer Race)	1	
654	79727	Sprag, 010/087/089/090	1	
665	TBA	Outer Race, 010/087/089/090 Sprag (With Lugs On OD)	1	
665	TBA	Outer Race, 010/087/089/090 Sprag (No Lugs On OD)	1	
HARD PARTS (Continued)				
671	79956	Pump Shaft, 010 Oil Pump (13 7/8")	1	
671	79956A	Pump Shaft, 087 Oil Pump (20 1/8")	1	
671	79956B	Pump Shaft, 089 Oil Pump (19 5/16")	1	
671	79956C	Pump Shaft, 090 Oil Pump (21")	1	
671	79956CA	Pump Shaft, 087/089 Oil Pump (18 7/8")	1	
673	79953	Turbine Shaft, 010 Main (10 3/8")	1	
673	79953A	Turbine Shaft, 089 Main (15 3/4")	1	
673	79953B	Turbine Shaft, 087 Main (16 5/8")	1	
673	79953C	Turbine Shaft, 090 Main (18")	1	
673	79953D	Turbine Shaft, 087 (16 5/8") With Seal .590"ID	1	
673	79953CA	Turbine Shaft, 087/089 Main (15 3/8")	1	
680	79988	Governor Assembly, 010 (18 Teeth) Aluminum Body 1975-82	1	
680	79988D	Governor Assembly, 010 (18 Teeth) Late-Steel 1983-Up	1	090-035-041
680	79988A	Governor Assembly, 089 (13 Teeth) Aluminum Body 1975-82	1	089-325-041B
680	79988F	Governor Assembly, 089 (13 Teeth) Late-Steel 1983-Up	1	
680	79988C	Governor Assembly, 087 (16 Teeth) Aluminum Body 1975-82	1	087-325-041
680	79988E	Governor Assembly, 087 (16 Teeth) Late-Steel 1983-Up	1	
VALVE BODIES (DACCO VB#)				

VW/Audi 010/087/089/090 (1 Band)

740	VW-8901	Valve Body, 010, 1976-Up	1	
VALVE BODIES				
740	79990A	Valve Body, 010/087/089/090 (Cast # 283D)	1	
740	79990B	Valve Body, 010/087/089/090 (Cast # 283E)	1	
740	79990C	Valve Body, 010/087/089/090 (Cast # 283F)	1	
740	79990D	Valve Body, 010/087/089/090 (Cast # 283G)	1	
740	79990	Valve Body, 010/087/089/090 (Cast # 283J)	1	
HARD PARTS (Continued)				
760	79800	Case, 010/087/089/090 (Cast # 105)	1	
760	79800B	Case, 010/087/089/090 (Cast # 105B)	1	
760	79800D	Case, 010/087/089/090 (Cast # 105D)	1	
765	79801	Pan, 010/087/089/090 (With Filler Tube In Case)	1	
765	79802	Pan, 010/087/089/090 (With Filler Tube In Pan)	1	
905	TBA	Servo Assembly, 010/087/089/090	1	
906	TBA	Spring, 010/087/089/090 Servo	1	
907	TBA	Piston, 010/087/089/090 Servo	1	
909	TBA	Cover, 010/087/089/090 Servo	1	
919	TBA	Bolt, 010/087/089/090 Band Adjusting	1	
922	TBA	Nut, 010/087/089/090 Band Adjusting	1	
925	TBA	Accumulator Assembly, 010/087/089/090	1	
926	TBA	Spring, 010/087/089/090 Accumulator	1	
927	79928	Piston, 010/087/089/090 Accumulator (Late Type) Molded Rubber	1	003-325-405C
927	TBA	Piston, 010/087/089/090 Accumulator (Early Type) With Lip Seal	1	
958	TBA	Tube, 010/087/089/090 1st Intermediate Clutch Apply	1	
962	79970	Piston, 010/087/089/090 1st/Rev Clu (W/Out Check Ball) Molded Rubber, 75-82	1	010-323-479A
962	79970A	Piston, 010/087/089/090 1st/Rev Clu (With Check Ball) Molded Rubber, 1983-Up	1	010-323-512A
964	79973	Piston, 010/087/089/090 Forward Clutch (Molded Rubber)	1	010-323-217A
965	79974	Piston, 010/087/089/090 Direct Clutch (Molded Rubber)	1	010-323-121B
972	TBA	Retainer W/Spring, 010/087/089/090 Intermediate Clutch	1	
974	79598	Spring, 010/087/089/090 Diaphragm Forward Clutch (8 Lug)	1	010-323-229D
974	79598A	Spring, 010/087/089/090 Diaphragm Forward Clutch (16 Lug)	1	010-323-229C
974	79598B	Spring, 087 Diaphragm Forward Clutch (Wire Type)	1	
975	TBA	Spring, 010/087/089/090 Direct Clutch Return	1	
985	79599	Retainer W/Spring, 010/087/089/090 1st & Intermediate(Low/Rev)	1	
989	TBA	Plate, 010/087/089/090 Intermediate	1	
991	TBA	Linkage Assembly, 010/087/089/090	1	
995	TBA	Park Pawl Assembly, 010/087/089/090	1	
998	TBA	Cooler, 010/087/089/090 External (Cast #)	1	

Sonnax Introduces TF-60SN* Solutions!

*Fits BMW 6F21WA & VW/Audi 09G, 09K, 09M.



More information is available at www.sonnax.com

PROBLEM	SOLUTION	Tool Required	Part Number
<ul style="list-style-type: none"> Delayed engagements Slipping in forward gears 	1. Accumulator Piston Kit		15741-14K <i>Five Locations</i>
<ul style="list-style-type: none"> DTC's for excess shift time/engine RPM Slippage or shock on kickdown 	2. Solenoid Modulator Valve Kit	F-15741-TL18 & VB-FIX	15741-18K <i>Two Locations</i>
<ul style="list-style-type: none"> RPM surging on coast/light acceleration Harsh downshifts 	3. Lockup Clutch Control Valve Kit	F-15741-TL29, F-15741-TL29PL & VB-FIX	15741-29K
<ul style="list-style-type: none"> Flare upshifts or downshift-bind-ups Excess clutch overlap & distress Pressure control out of range codes 	4. K3 Clutch Control Valve Kit 5. K2 Clutch Control Valve Kit 6. K1 Clutch Control Valve Kit	F-15741-TL8 & VB-FIX F-15741-TL5 & VB-FIX F-15741-TL25 & VB-FIX	15741-08K 15741-05K 15741-25K
<ul style="list-style-type: none"> Harsh downshifts Flare on 1-2, 2-3 & 5-6 upshift 	7. B1 Brake Control Valve Kit	F-15741-TL22 & VB-FIX	15741-22K
<ul style="list-style-type: none"> Overheating fluid, bushing & converter Harsh reverse engagement 	8. Secondary Regulator Valve Kit	F-15741-TL11 & VB-FIX	15741-11K
<ul style="list-style-type: none"> Excess pressure in reverse Fluid & converter lining overheat 	9. Main Pressure Regulator & Boost Assembly	F-15741-TL & VB-FIX	15741-01K
<ul style="list-style-type: none"> Shift complaints associated with circuit pressure loss 	10. End Plug Kit	5 Small, 9mm 5 Large, 11mm	15741-35K 15741-36K

sonnax
TIME TESTED • INDUSTRY TRUSTED®

Automatic Drive • P.O. Box 440 • Bellows Falls, VT 05101-0440 USA • 800-843-2600 • 802-463-9722 • F: 802-463-4059 • www.sonnax.com • info@sonnax.com
©2009 Sonnax Industries, Inc.