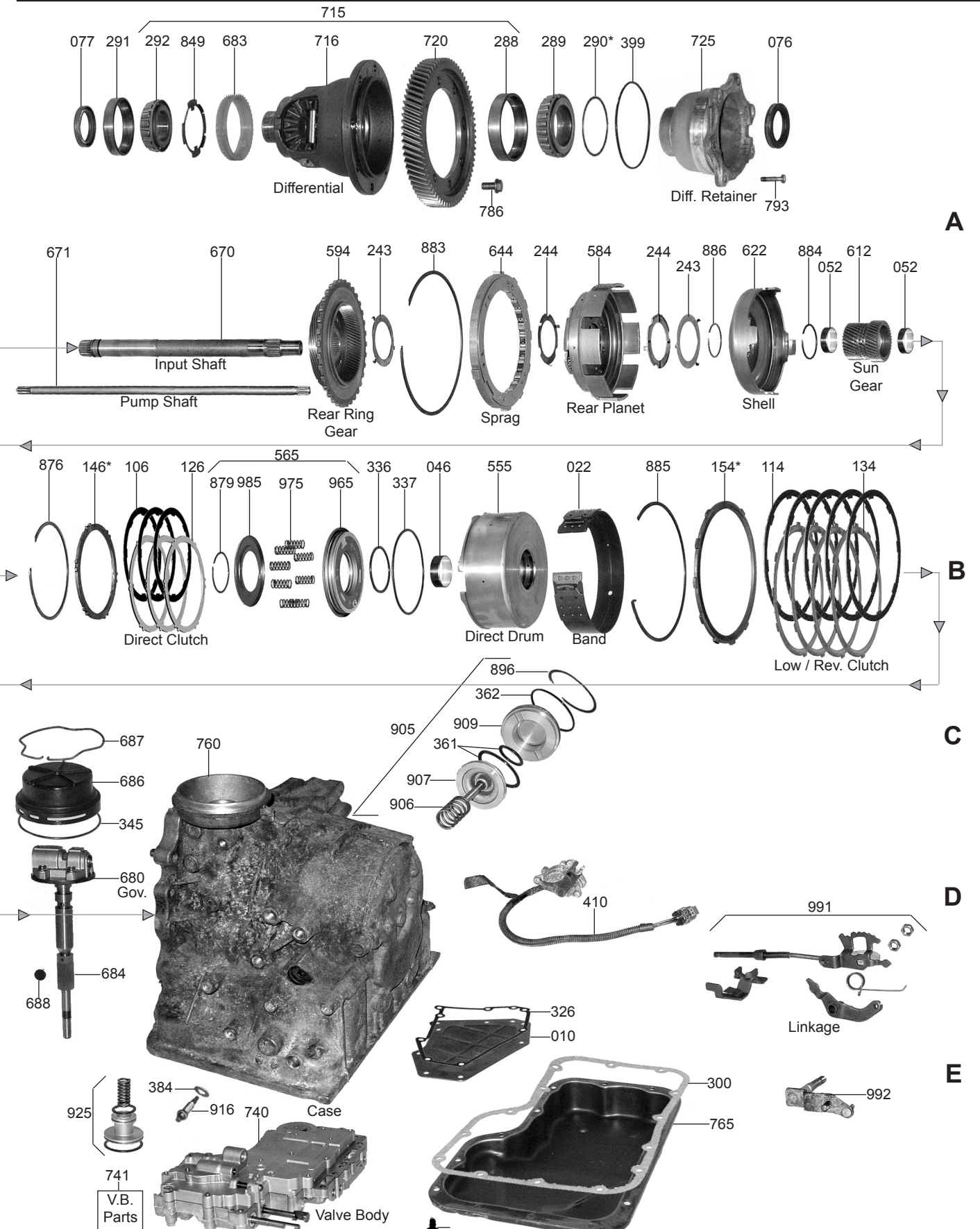
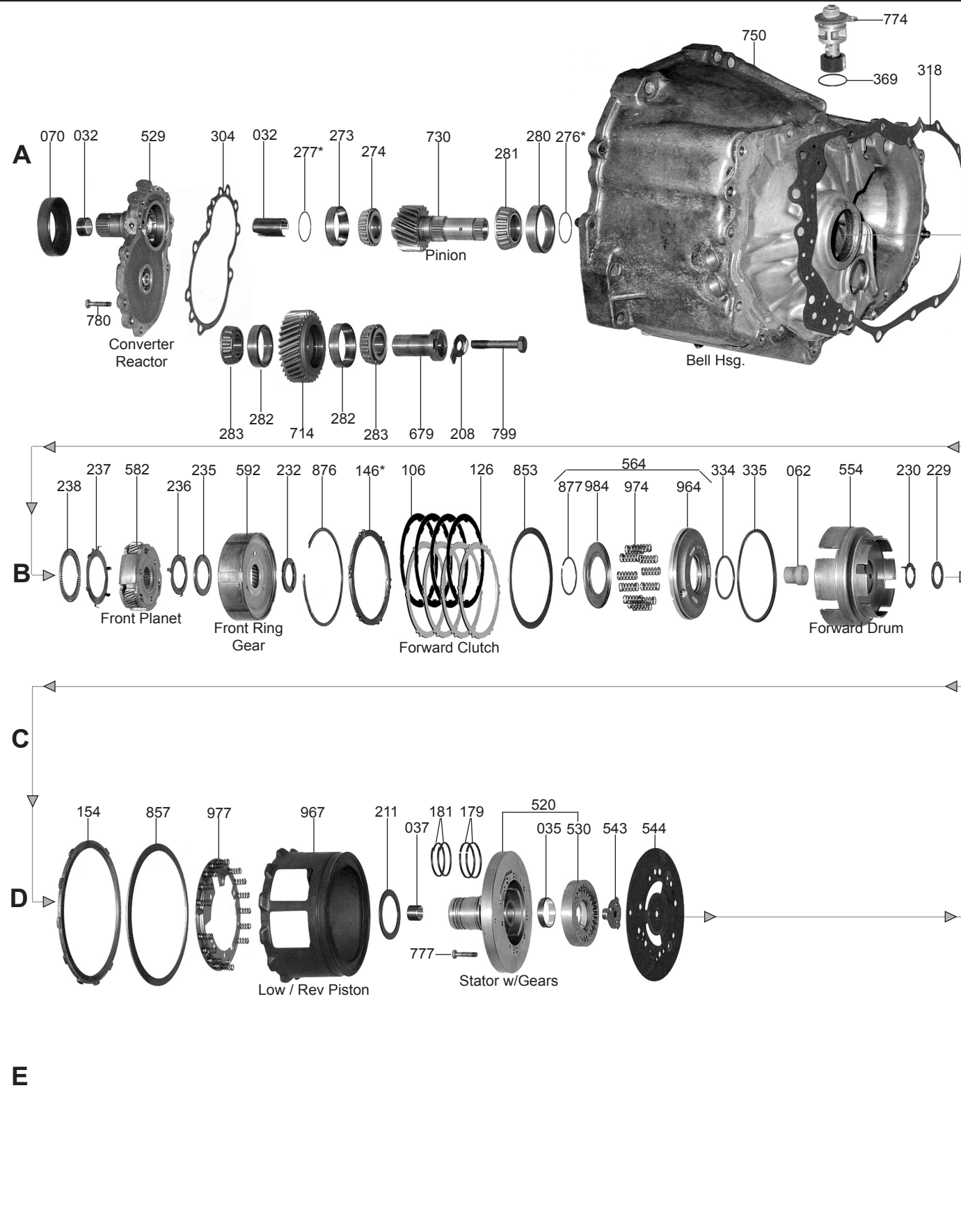


## FWD 3 Speed

## FWD 3 Speed



ILL#	PART#	DESCRIPTION	QTY	REF #
		<b>OVERHAUL KITS</b>		
	K83900	Overhaul Kit, RL3F01A/RN3F01A 1981-Up	1	
		<b>MASTER L/STEEL KIT</b>		
	DK8300S	Master L/Steels Kit, RN/RL3F01A, Non Turbo (.071" Frt & Rear Fri) 1981-Up	1	
	DK8300AS	Master L/Steels Kit, RN/RL3F01A Turbo(.063" Frt & Rear Fri) 1981-Up	1	
		<b>MASTER W/STEEL KIT</b>		
	DK8300	Master W/Steels Kit, RN/RL3F01A, Non Turbo (.071" Frt & Rear Fri, 12T Dir Sreels) 1981-Up (If Transmission Has 24 Teeth Direct Steels Add 93107A)	1	
	DK8300A	Master W/Steels Kit, RN/RL3F01A Turbo(.063" Frt & Rear Fri & 12T Dir Steels) 1981-Up (If Transmission Has 24 Teeth Direct Steels Add 93107A)	1	
		<b>FILTER</b>		
010	83710	Filter, RL3F01A/RN3F01A 1981-86	1	31728-01X09
010	83710A	Filter, RL3F01A/RN3F01A (Except 310) Deep Pick-Up 1987-Up	1	31728-01X10
		<b>FILTER KIT</b>		
011	FK83710	Filter Kit, RL3F01A/RN3F01A 1981-86	1	
011	FK83710A	Filter Kit, RL3F01A/RN3F01A 1987-Up (Except 310) Deep Pick Up 1987-Up	1	
		<b>BANDS</b>		
022	83700	Band, RL3F01A/RN3F01A Brake	1	31630-01X00
		<b>BUSHINGS</b>		
030	K83000	Bushing Kit, RL3F01A/RN3F01A 1981-Up	1	
031	83005	Bushing, RL3F01A/RN3F01A Converter Hub	1	31141-01X01
032	83001	Bushing, RL3F01A/RN3F01A Converter Reactor (Front)	1	31199-01X00
032	83002	Bushing, RL3F01A/RN3F01A Converter Reactor (Rear)	1	31196-01X02
035	83003	Bushing, RL3F01A/RN3F01A Pump Gear	1	31349-01X00
037	83004	Bushing, RL3F01A/RN3F01A Stator	1	31343-01X00
046	83000	Bushing, RL3F01A/RN3F01A Front Drum	1	31513-01X00
052	83007	Bushing, RL3F01A / RN3F01A Sun Gear	1	31462-01X00
062	83006	Bushing, RL3F01A/RN3F01A Rear Drum (Plastic)	1	31483-01X00
		<b>METAL CLAD SEALS</b>		
070	83151	Seal, RL3F01A/RN3F01A Front 1981-Up	1	31344-21X00
307	93152S	Replacement Seal For 93125LRB	1	15723
076	83152	Seal, RL3F01A/RN3F01A Axle (Both Sides) 1981-Up	2	43252-M000
078	83153	Seal, RL3F01A/RN3F01A Speed-O Gear Shaft	1	32709-58500
		<b>FRICTION CLUTCH</b>		
106	83103	Friction, RL3F01A/RN3F01A Forward & Direct Clutch (.071") 1981-Up (Non Turbo)	6	31532-01X00
106	83103A	Friction, RL3F01A/RN3F01A Forward & Direct Clutch (.063") 1981-Up (With Turbo)	7	31532-01X01
114	83102	Friction, RL3F01A/RN3F01A Low/Reverse Clutch (.079") 1981-Up	3-5	31536-21X01
		<b>STEEL CLUTCH</b>		
126	83100	Steel, RL3F01A/RN3F01A Forward/Direct (.079")	5-7	31536-01X00
126	93107A	Steel, RN3F01A/RN3F01A Direct Clutch (.079")(24 Narrow Teeth)	3	31536-01X01
134	83104	Steel, RL3F01A/RN3F01A Low/Reverse Clutch (.079")	3-5	31666-01X00
		<b>CLUTCH PRESSURE PLATES</b>		
146	83716	Press Plate, RL3F01A/RN3F01A Forward & Direct (*Specify Thickness .134" To .173")	1	31537-01X05

154	83717	Press Plate, RL3F01A/RN3F01A Low/Rev (.142")(*Specify Thickness .142" To .165")	1	31667-01X00
		<b>OIL SEALING RINGS</b>		
175	K83903	Ring Kit, RL3F01A/RN3F01A 1981-Up (Metal)	1	
175	K83903T	Ring Kit, RL3F01A/RN3F01A 1981-Up (Teflon)	1	
179	83227	Ring, RL3F01A/RN3F01A Direct Clutch Drum (Metal)	2	31361-01X00
179	83227T	Ring, RL3F01A/RN3F01A Direct Clutch Drum (Teflon)	2	
181	83228	Ring, RL3F01A/RN3F01A Forward Clutch Drum (Metal)	2	31362-01X00
181	83228T	Ring, RL3F01A/RN3F01A Forward Clutch Drum (Teflon)	2	
		<b>WASHERS &amp; BEARINGS</b>		
200	K83907	Washer Kit, RL3F01A/RN3F01A (W/ Bearings) 1981-Up	1	
200	K83907A	Washer Kit, RL3F01A/RN3F01A (W/Out Bearings) 1981-Up	1	
200	TBA	Washer Kit, RL3F01A/RN3F01A (W/Out Bearings) (12 Pieces) 1981-Up	1	
208	TBA	Lock Washer, RL3F01A/RN3F01A Idler Sahft Bolt	1	
211	83402	Washer, RL3F01A/RN3F01A Between Stator & Direct Drum (Black Plastic)	1	31508-01X00
229	83408	Bearing, RL3F01A/RN3F01A Between Forward Drum & Stator	1	31555-01X00
230	83409	Race, RL3F01A/RN3F01A Between Forward Drum & Stator	1	31556-01X00
232	TBA	Washer, RL3F01A/RN3F01A Hub To Forward Drum (Black Plastic) (No Tabs)	1	31508-01X01
232	TBA	Washer, RL3F01A/RN3F01A Hub To Forward Drum (3 Tabs)	1	
232	83403	Washer, RL3F01A/RN3F01A Hub To Forward Drum (2 Tabs) 1990-Up	1	31508-01X02
235	83404	Bearing, RL3F01A/RN3F01A Between Front Planet & Ring Gear Hub	1	31435-01X01
236	83405	Race, RL3F01A/RN3F01A Between Front Planet & Hub	1	
237	83418	Race, RL3F01A/RN3F01A Between Bowl & Front Planet (6 Tab)	1	31434-01X01
238	83419	Bearing, RL3F01A/RN3F01A Between Bowl & Front Planet	1	31435-01X00
243	83407	Race, RL3F01A/RN3F01A Rear Planet	2	31436-01X01
244	83406	Washer, RL3F01A/RN3F01A Rear Planet	2	31436-01X01
327	93125LRB	Axle Stabilizer, Nissan	1	
276	83405A	Shim, RL3F01A/RN3F01A Output Shaft To Rear Ring Gear	1	
277	83405	Shim, RL3F01A/RN3F01A Output Shaft To Front Cover	1	31439-01X00
283	83920	Bearing, RL3F01A/RN3F01A Idler Gear (Tapered Roller)	1	31492-01X00
		<b>GASKETS &amp; RUBBER COMPONENTS</b>		
300	83500	Gasket, RL3F01A/RN3F01A Bottom Pan	1	31397-01X01
304	83515	Gasket, RL3F01A/RN3F01A Front Cover 1981-Up	1	31198-01X02
318	83516	Gasket, RL3F01A/RN3F01A Converter Housing To Case 1981-Up	1	31309-01X02
326	83517	Gasket, RL3F01A/RN3F01A Filter	1	31729-01X00
380	TBA	O-Ring, RL3F01A/RN3F01A Input Shaft Lock-Up O-Ring	1	
		<b>TECHNICAL MANUALS</b>		
400	TMRL3F01A	Technical Manual, RL3F01A/RN3F01A Nissan	1	83-RL3F01ATM
		<b>HARD PARTS</b>		
	83912	Pump, RL3F01A/RN3F01A 1981-Up	1	
520	83915	Stator, RL3F01A/RN3F01A With Gears	1	31397KA030
529	83800	Converter Reactor, RL3F01A/RN3F01A (1 Bushing Inside Tube)	1	
529	83800A	Converter Reactor, RL3F01A/RN3F01A (2 Bushing Inside Tube)	1	
530	K83201	Gear Set, Pump, RL3F01A/RN3F01A 1981-Up	1	
544	83925	Plate, RL3F01A/RN3F01A Pump 1981-Up	1	31369-01X00
554	83719	Drum, RL3F01A/RN3F01A Forward Clutch (3 Clutch)	1	31541-01X62



# RN3F01A/RL3F01A

554	83719A	Drum, RL3F01A/RN3F01A Forward Clutch (4 Clutch)	1	31541-01X63
555	83733A	Drum, RL3F01A/RN3F01A Direct Clutch (3 Clutch) 5" Piston	1	ZFN64916
555	83733B	Drum, RL3F01A/RN3F01A Direct Clutch (3 Clutch) 4 3/8" Piston	1	
564	TBA	Piston Kit, RL3F01A/RN3F01A Forward Clutch	1	
565	TBA	Piston Kit, RL3F01A/RN3F01A Direct Clutch (5" Piston)	1	
565	TBA	Piston Kit, RL3F01A/RN3F01A Direct Clutch (4 3/8" Piston)	1	
582	83747	Planet, RL3F01A/RN3F01A Front	1	31420-01X02
584	83734	Planet, RL3F01A/RN3F01A Rear	1	
592	83713	Ring Gear & Hub, RL3F01A/RN3F01A (Uses A Washer # 232 Without Tabs)	1	
592	83713A	Ring Gear & Hub, RL3F01A/RN3F01A (Uses A Washer # 232 With 3 Tabs)	1	
594	83731	Ring Gear, RL3F01A/RN3F01A Rear Planet	1	31450-01X02
<b>HARD PARTS (Continued)</b>				
612	83748	Sun Gear, RL3F01A/RN3F01A	1	31460-01X03
622	83749	Shell, RL3F01A/RN3F01A Connector	1	31465-01X01
<b>SPRAGS &amp; ONE WAY CLUTCHES</b>				
644	83913	Sprag Assembly, RL3F01A/RN3F01A One Way Clutch With Race	1	31473-01X01
<b>HARD PARTS (Continued)</b>				
670	83732	Input Shaft, RL3F01A/RN3F01A (Non Lock-Up)	1	
670	83732A	Input Shaft, RL3F01A/RN3F01A (Lock-Up) With O-Ring Groove	1	
671	83739	Pump Shaft, RL3F01A/RN3F01A Oil Pump Drive	1	
679	TBA	Shaft, RL3F01A/RN3F01A Idler Gear	1	
680	83413	Governor, RL3F01A/RN3F01A Assembly (Gear Length 1 1/4")	1	
680	83413A	Governor, RL3F01A/RN3F01A Assembly (Gear Length 1 3/4")	1	
684	83411	Gear, RL3F01A/RN3F01A Governor Gear (1 1/4" Long)	1	31894-01X01
684	83411A	Gear, RL3F01A/RN3F01A Governor Gear (1 3/4" Long)	1	
686	TBA	Cover, RL3F01A/RN3F01A Governor (Plastic)	1	31875-01X00
687	TBA	Retaining Clip, RL3F01A/RN3F01A For Governor Cap	1	31506-01X00
688	TBA	Bolt, RL3F01A/RN3F01A Holds Governor In Case	1	
714	83799	Idler Gear, RL3F01A/RN3F01A (30 Teeth) 3.490"OD (W/Out Bearings)	1	31493-01X04
714	83799A	Idler Gear, RL3F01A/RN3F01A (31 Teeth) 3.605"OD (W/Out Bearings)	1	31493-01X06
714	83799B	Idler Gear, RL3F01A/RN3F01A (33 Teeth) 3.794"OD (W/Out Bearings)	1	31493-01X60
714	83799C	Idler Gear, RL3F01A/RN3F01A (32 Teeth) 3.706"OD (W/Out Bearings)	1	31493-01X02
714	83799D	Idler Gear, RL3F01A/RN3F01A (32 Teeth) 3.680"OD (W/Out Bearings)	1	31493-01X61
714	83799E	Idler Gear, RL3F01A/RN3F01A (34 Teeth) 3.910"OD (W/Out Bearings)	1	
716	83455	Differential Housing, RL3F01A/RN3F01A (Height 5 5/16" With 2 Tapered Bearings)	1	
716	83738B	Differential Housing, RL3F01A/RN3F01A (Height 5 5/16" With 1 Tapered Bearings) Has A Cup Race On The Other End	1	
716	83738C	Differential Housing, RL3F01A/RN3F01A (Height 5 9/16" With 1 Tapered Bearing) Has A Cup Race On The Other End	1	
716	83455A	Differential Housing, RL3F01A/RN3F01A (Height 5 9/16" With 2 Tapered Bearings)	1	
720	86456	Ring Gear, RL3F01A/RN3F01A Differential (72 Teeth) (1.578"ID To OD)	1	
720	86456D	Ring Gear, RL3F01A/RN3F01A Differential (72 Teeth) (1.550"ID To OD)	1	
720	86456A	Ring Gear, RL3F01A/RN3F01A Differential (73 Teeth) (1.630"ID To OD)	1	
720	83456AB	Ring Gear, RL3F01A/RN3F01A Differential (73 Teeth) (1.605"ID To OD)	1	

# RN3F01A/RL3F01A

720	86456B	Ring Gear, RL3F01A/RN3F01A Differential (74 Teeth)	1	
720	83456C	Ring Gear, RL3F01A/RN3F01A Differential (76 Teeth)	1	
720	86456CA	Ring Gear, RL3F01A/RN3F01A Differential (71 Teeth)	1	
725	TBA	Retainer, RL3F01A/RN3F01A Differential (6 Bolt With Bearing) 3 3/8" Tall (Aluminum)	1	
725	TBA	Retainer, RL3F01A/RN3F01A Differential (6 Bolt With Bearing) 3 9/16" Tall (Aluminum)	1	
725	TBA	Retainer, RL3F01A/RN3F01A Differential With Bearing (3 7/8" Tall)	1	
725	TBA	Retainer, RL3F01A/RN3F01A Differential (With Race) (Non Bearing Type)	1	
730	83737A	Pinion, RL3F01A/RN3F01A (Output Shaft) 21 Teeth (2.513"OD Of Gear)	1	31481-01X08
730	83737B	Pinion, RL3F01A/RN3F01A (Output Shaft) 22 Teeth (2.613"OD Of Gear)	1	31481-01X05
730	83737C	Pinion, RL3F01A/RN3F01A (Output Shaft) 24 Teeth (2.833"OD Of Gear)	1	31481-01X60
730	83737D	Pinion, RL3F01A/RN3F01A (Output Shaft) 20 Teeth (2.425"OD Of Gear)	1	31481-01X19
730	83737	Pinion, RL3F01A/RN3F01A (Output Shaft) 20 Teeth (2.400"OD Of Gear)	1	31481-01X07
730	83737E	Pinion, RL3F01A/RN3F01A (Output Shaft) 21 Teeth (2.540"OD Of Gear)	1	31481-01X63
730	83737F	Pinion, RL3F01A/RN3F01A (Output Shaft) 19 Teeth (2.327"OD Of Gear)	1	
<b>VALVE BODIES</b>				
740	83754	Valve Body Assembly, RL3F01A/RN3F01A (Non Lock-Up) Early	1	
740	83754A	Valve Body Assembly, RL3F01A/RN3F01A (Non Lock-Up) Late (With 2 Valves In Auxillary Section)	1	
740	83754B	Valve Body Assembly, RL3F01A/RN3F01A (Lock-Up) With Electric Switch	1	
740	83754BA	Valve Body Assembly, RL3F01A/RN3F01A (Lock-Up) No Electric Switch	1	
<b>HARD PARTS (Continued)</b>				
750	83702	Bell Housing, RL3F01A/RN3F01A (Cast # E1 By Axle Seal) Square Starter Hole	1	
750	83702A	Bell Housing, RL3F01A/RN3F01A (Cast # E2 By Axle Seal) Square Starter Hole	1	
750	83702B	Bell Housing, RL3F01A/RN3F01A (Cast # X1 By Axle Seal)	1	
750	83702C	Bell Housing, RL3F01A/RN3F01A (Cast # FA2 By Axle Seal) 1 Threaded Starter Hole	1	
760	83701	Case, RL3F01A/RN3F01A (Non Lock-Up)	1	
760	83701A	Case, RL3F01A/RN3F01A (Lock-Up) With Electric Plug By Neutral Switch	1	
765	83801A	Pan, RL3F01A/RN3F01A Bottom	1	
853	TBA	Cushion, RL3F01A/RN3F01A Forward Clutch	1	
857	TBA	Cushion, RL3F01A/RN3F01A Low/Reverse Clutch	1	
905	TBA	Servo Assembly, RL3F01A/RN3F01A	1	
906	TBA	Spring, RL3F01A/RN3F01A Servo	1	
907	TBA	Piston, RL3F01A/RN3F01A Servo	1	
909	TBA	Cover, RL3F01A/RN3F01A Servo	1	
919	TBA	Bolt, RL3F01A/RN3F01A Band Adjusting	1	
925	TBA	Accumulator Assembly, RL3F01A/RN3F01A	1	
964	83708	Piston, RL3F01A/RN3F01A Forward Clutch	1	31544-01X05
965	83709	Piston, RL3F01A/RN3F01A Direct Clutch	1	
967	83714	Piston, RL3F01A/RN3F01A Low/Reverse Clutch	1	31644-01X04