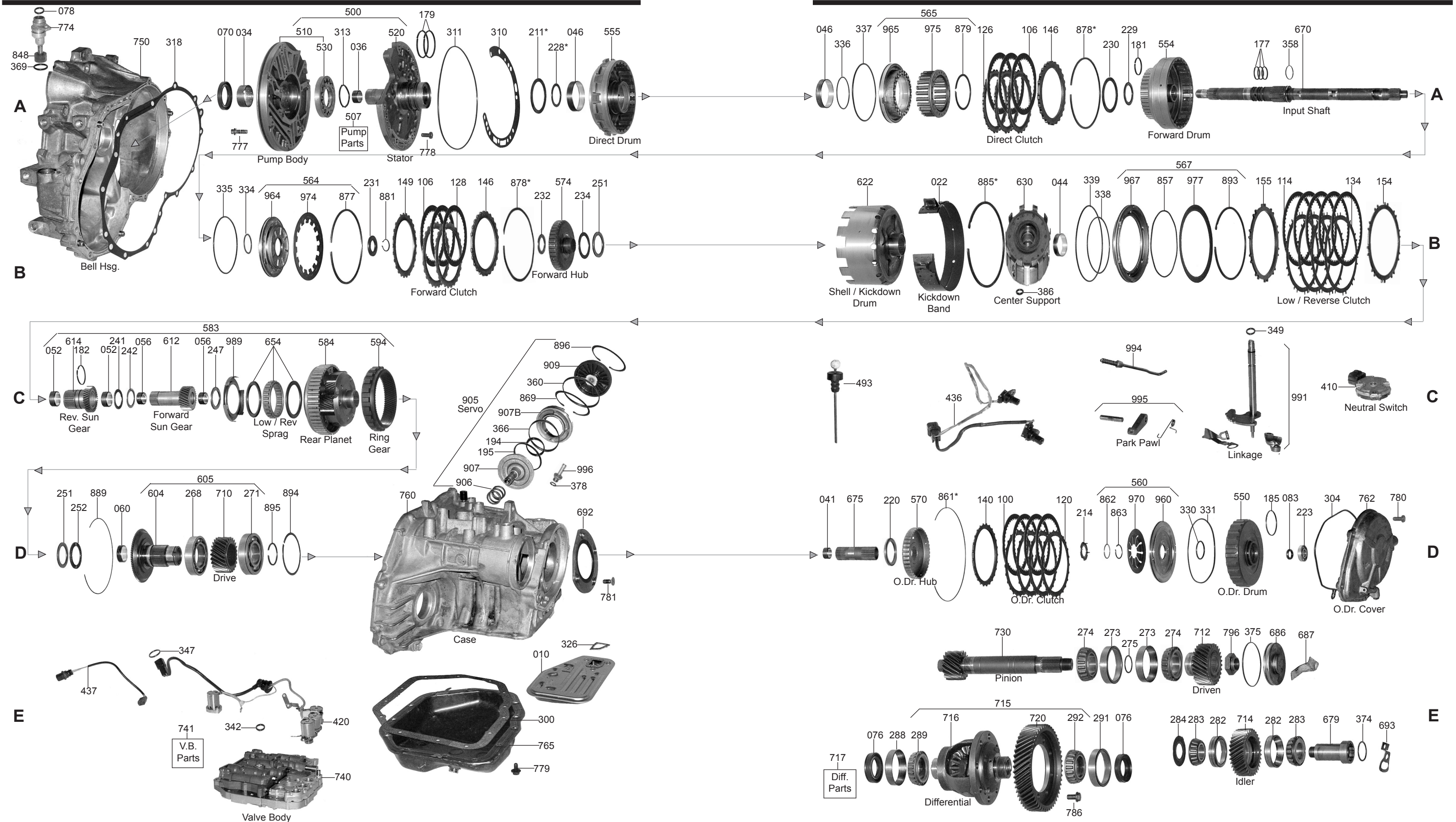


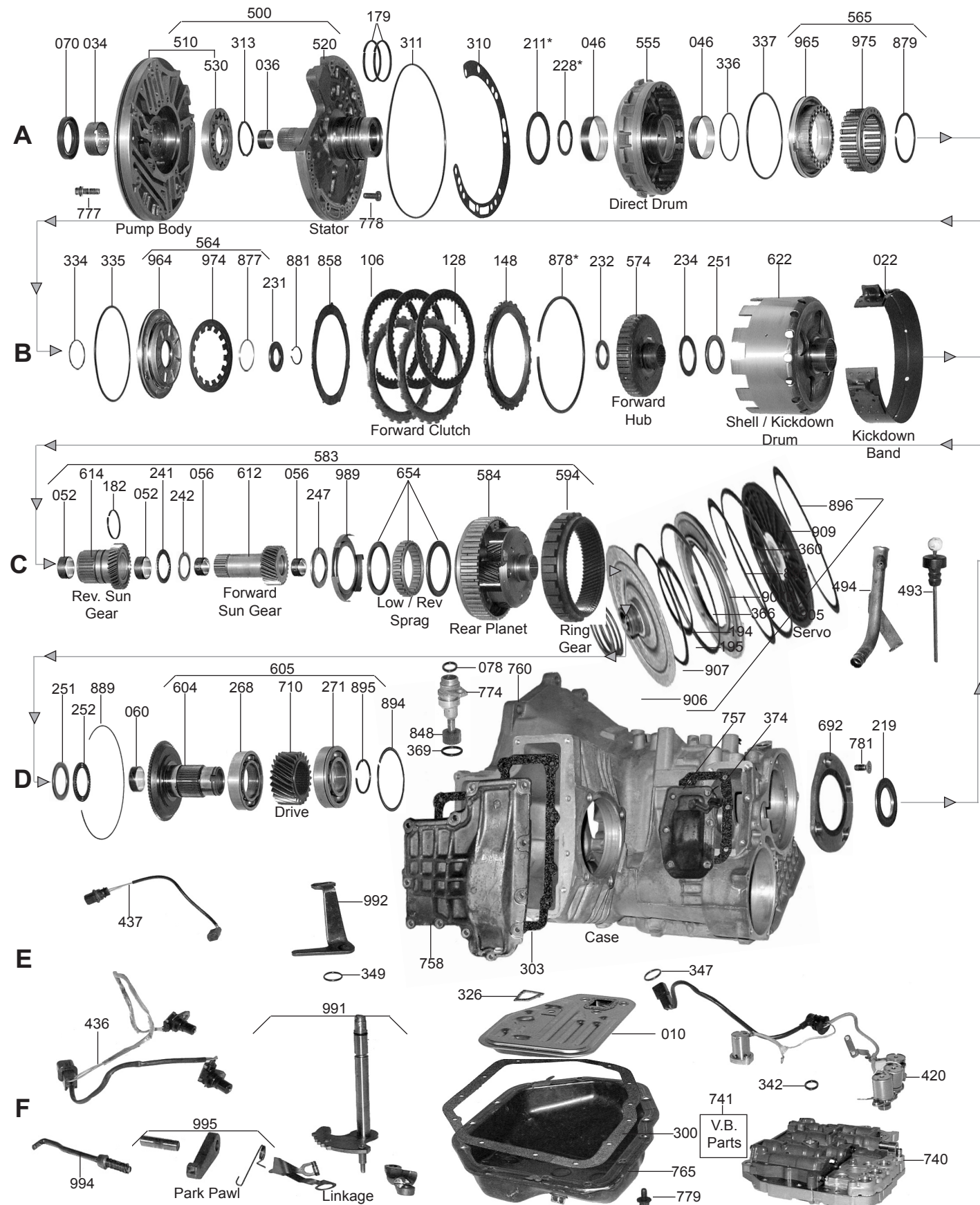
## FWD 3 & 4 Speed

## FWD 3 & 4 Speed

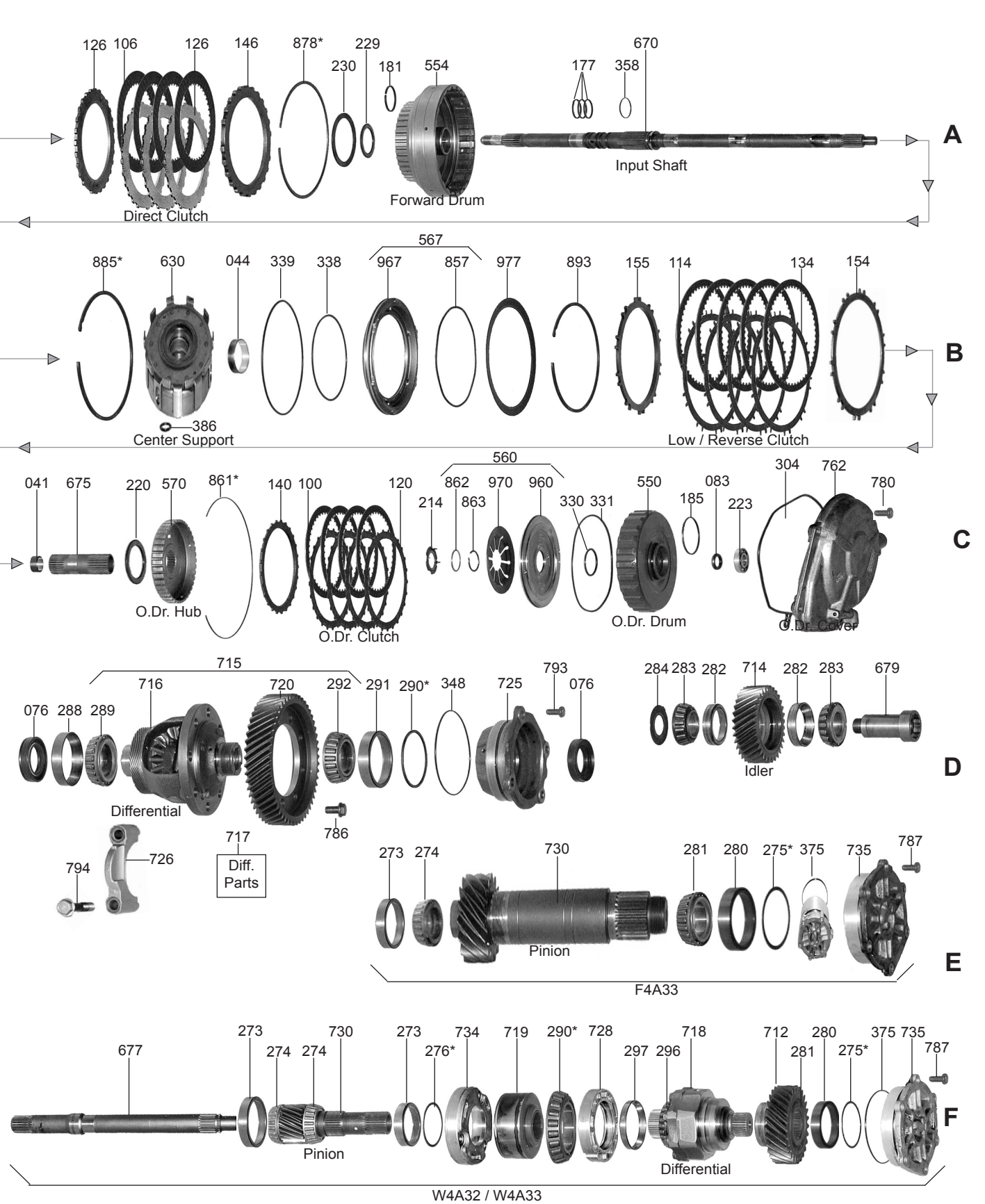




## FWD 4 Spd



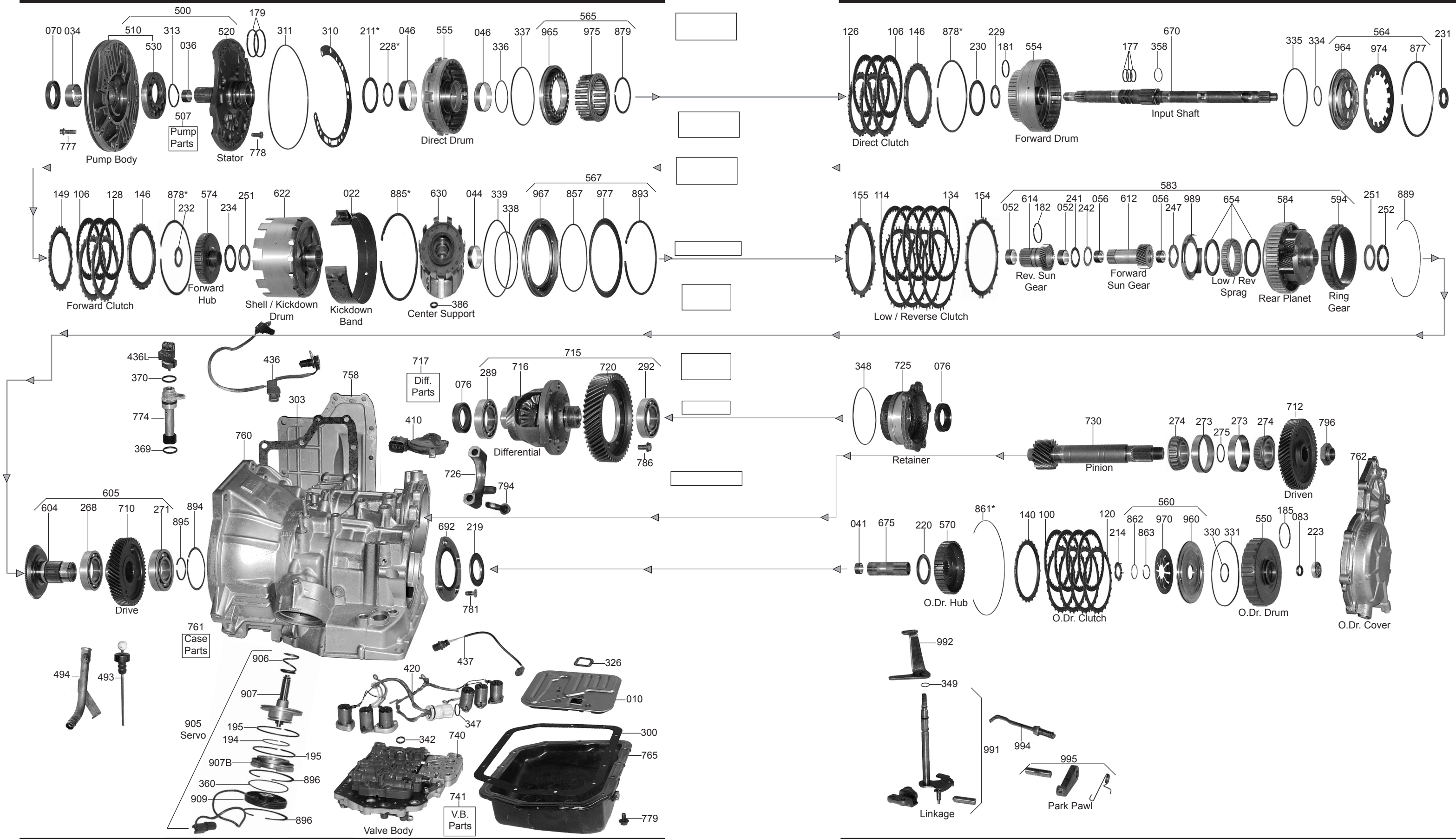
## FWD 4 Spd





## FWD 4 Speed

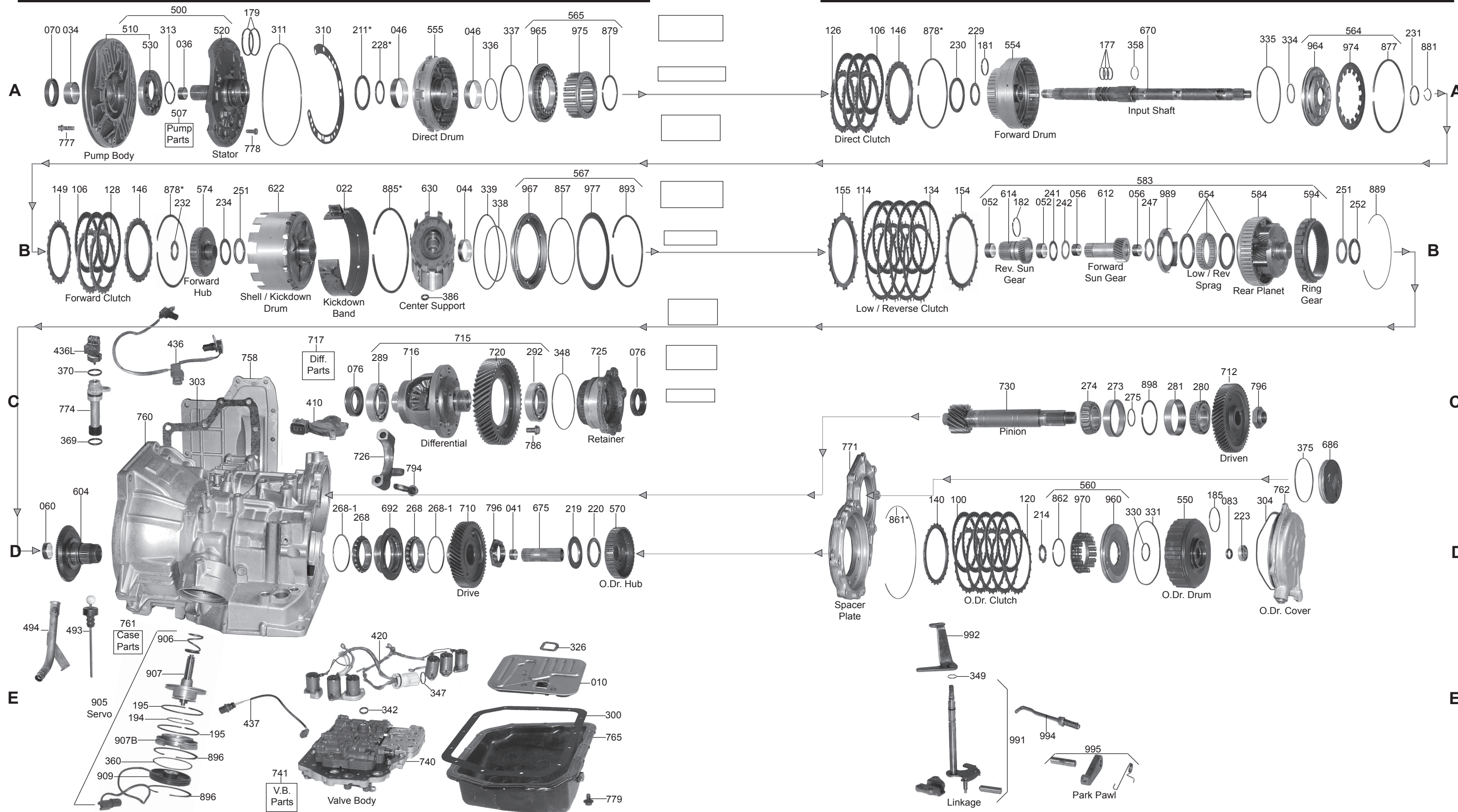
## FWD 4 Speed





## FWD 4 Speed

## FWD 4 Speed



**KM170-177/F4A33/W4A32/W4A33/A4AF1/A4AF2/A4BF1/A4AF3/A4BF2**

ILL#	PART#	DESCRIPTION	QTY	REF #
		<b>OVERHAUL KITS</b>		
	K42900C	Overhaul Kit, KM170/KM171/KM172 (3-Spd) 1979-88	1	
	K42900E	Overhaul Kit, KM175/KM177 (4-Spd 12 & 13 Bolt Pan) 1985-88	1	
	K42900J	Overhaul Kit, KM175-5/KM176-5/KM177-8 (4-Spd) 1988-Up	1	
	K42900H	Overhaul Kit, KM171-5/KM172-5 (3-Spd) 1989-Up	1	
	K42900K	Overhaul Kit, A4AF1 / F4A32-1 (Scoupe / Accent) 1992-Up	1	
	K42900G	Overhaul Kit, A4AF2 / A4BF1 (Elantra 1996-99) (Tiburon 1997-99)	1	
	K41900D	Overhaul Kit, A4AF3/A4BF2/A4BF3 (Elantra 2000) (Accent 2000-03) (Tuburon 2000-01)	1	
	K42900N	Overhaul Kit, F4A33-1 / W4A32/W4A33 2WD Only, (W/O Transfer Case Parts) 1990-Up	1	
	K41900	Overhaul Kit, W4A32/W4A33 (With Transfer Case Parts) 1990-Up	1	
		<b>MASTER L/STEEL KIT</b>		
	DK4200CS	Master L/Steels Kit, KM170/KM171/KM172 (3-Spd) 1979-88	1	
	DK4200ES	Master L/Steels Kit, KM177-0 / KM177-8 (4-Spd) 13-Bolt Pan 1987-88	1	
	DK4200FS	Master L/Steels Kit, KM175-1,2,5,7/KM176-7 (4-Spd) 12-Bolt Pan 1985-88	1	
	DK4200JS	Master L/Steels Kit, KM175-5/KM176-5/KM177-8 (4-Spd) 1989-Up	1	
	DK4200HS	Master L/Steels Kit, KM171-5/KM172-5 (3-Spd) 1989-Up	1	
	DK4200KS	Master L/Steels Kit, A4AF1 / F4A32-1 (Scoupe / Accent) 1992-Up	1	
	DK4200GS	Master L/Steels Kit, A4AF2 / A4BF1 (Elantra 1996-99) (Tiburon 1997-99)	1	
	DK4100DS	Master L/Steels Kit, A4AF3/A4BF2/A4BF3 (Elantra / Tiburon 1999-01, Accent 1999-07)	1	
	DK4200TS	Master L/Steels Kit, A4AF3 (Elantra 2000-03)	1	
	DK4200NS	Master L/Steels Kit, F4A33-1/W4A33 2WD Only (Without Transfer Case Parts) 1990-Up	1	
	DK4100S	Master L/Steels Kit, W4A33-1 AWD (With Transfer Case Parts) 1990-Up	1	
	DK4100AS	Master L/Steels Kit, W4A32-1 AWD (With Transfer Case Parts) 1990-Up	1	
		<b>MASTER W/STEEL KIT</b>		
	DK4200C	Master W/Steels Kit, KM170/KM171/KM172 1979-88	1	
	DK4200E	Master W/Steels Kit, KM177-0 / KM177-8 (4-Spd) 13-Bolt Pan 1987-88	1	
	DK4200F	Master W/Steels Kit, KM175-1,2,5,7/KM176-7 (4-Spd) 12-Bolt Pan 1985-88	1	
	DK4200J	Master W/Steels Kit, KM175-5/KM176-5/KM177-8 (4-Spd) 1989-Up	1	
	DK4200H	Master W/Steels Kit, KM171-5/KM172-5 (3-Spd) 1989-Up	1	
	DK4200K	Master W/Steels Kit, A4AF1 / F4A32-1 (Scoupe / Accent) 1992-Up	1	
	DK4200G	Master W/Steels Kit, A4AF2/A4BF1 (Elantra 1996-99) (Tiburon 1997-99)	1	
	DK4100D	Master W/Steels Kit, A4AF3/A4BF2/A4BF3 (Elantra 6/1999-6/2000) (Accent 9/1999-2003) (Tiburon 6/1999-9/2001)	1	
	DK4200N	Master W/Steels Kit, F4A33-1/W4A33 2WD Only (Without Transfer Case Parts) 1990-Up	1	
	DK4100	Master W/Steels Kit, W4A33-1 AWD (With Transfer Case Parts) 1990-Up	1	
	DK4100A	Master W/Steels Kit, W4A32-1 AWD (With Transfer Case Parts) 1990-Up	1	
		<b>FILTER</b>		
010	42710	Filter, KM170 (Felt) 1979-81	1	MD707786
010	42710B	Filter, KM170/KM171/KM172/KM175 (Felt) 1982-87	1	MD710056
010	42710D	Filter, KM171-5/KM172-5/KM175-5/KM176-5/KM177-8 (.700") 1987-91 (Can Use 42710C)	1	

**KM170-177/F4A33/W4A32/W4A33/A4AF1/A4AF2/A4BF1/A4AF3/A4BF2**

010	42710C	Filter, KM171-5/KM172-5/KM175-5/KM176-5/KM177-8 (.700") 1987-Up (Metal & Plastic)	1	MD73-7840
		Includes 4-Bolts To Replace 42710D		
010	42710E	Filter, KM171-5/KM172-5/KM175-5/KM177-8 (Felt) 1987-Up	1	MD72-9955
010	41710A	Filter, A4AF1/ A4BF1 / A4BF2 (Half Plastic) 1991-Up	1	
010	41710B	Filter, A4AF3/A4BF3 (Hyundai) (Half Plastic) 2000-Up	1	
010	41710	Filter, F4A33/W4A32/W4A33 (Zero Leak) (Half Plastic) 1990-Up	1	MD73-5572
010	42710E	Filter, KM175-5/KM177-8 (Felt) (looks Like A Boot) 1987-Up	1	
		<b>FILTER KIT</b>		
011	FK42710	Filter Kit, KM170 (Felt) 1979-81	1	
	FK42710B	Filter Kit, KM170/KM171/KM172/KM175 (Felt) 1982-87	1	
	FK42710C	Filter Kit, KM171-5/KM172-5/KM175-5/KM176-5 (Zero Leak) (.700") 1987-Up	1	
	FK42710E	Filter Kit, KM171-5/KM172-5/KM175-5/KM176-5 (Felt) 1987-Up	1	
	FK41710A	Filter Kit, A4AF1/A4BF1/A4BF2 1991-Up (Half Plastic)	1	
	FK41710B	Filter Kit, A4BF-3 (Hyundai) 2000-Up	1	
	FK41710	Filter Kit, F4A33-1/W4A32-1/W4A33-1 (Zero Leak) 1990-Up	1	
	FK42710E	Filter Kit, KM177 1987-Up	1	
		<b>BANDS</b>		
022	42700	Band, KM170/171/172/175/171-5/172-5/175-5/176-5/A4AF1/A4AF3 (1-9/16" Wide)	1	MD725287
022	42700A	Band, KM177/KM177-8/A4BF1/A4BF2/W4A32 (1 3/4" Wide) 1987-Up	1	MD721408
022	41700	Band, F4A33/W4A33 Kickdown (2 3/8" Wide) 1990-Up	1	MD736920
		<b>BUSHINGS</b>		
030	K42901B	Bushing Kit, KM170/KM171/KM172/KM171-5/KM172-5 1979-Up	1	
030	K42901F	Bushing Kit, KM172/KM175 1983-88	1	
030	K42901D	Bushing Kit, KM171-5/KM175-5/KM176-5/KM177-8/A4AF/A4BF 1989-Up	1	
030	K42901A	Bushing Kit, KM170-KM177 Pump & Stator Kit 1979-Up		
030	K42901E	Bushing Kit, KM170-KM177 Low & Rev Kit 1979-Up		
030	K41901	Bushing Kit, F4A33	1	
034	42001	Bushing, All KM Pump Body 1979-Up	1	
036	42002	Bushing, All KM Stator Support (Front)(.945"OD) 1979-88	1	
036	42002A	Bushing, All KM Stator Support (Front)(.988"OD) 1989-Up	1	
041	42012	Bushing, KM175/KM177 Overdrive Shaft (.732"ID) 1985-88	1	
041	42007A	Bushing, KM175-5/KM176-5/KM177-8/A4AF-1/W4A32/W4A33 Overdrive Shaft (.808"ID)	1	
044	79005	Bushing, KM170/KM171 Center Support (Wide) (1.537"ID) 1979-88	1	010-323-115
044	42005	Bushing, KM172/KM175/KM177 Center Support (Front) (Narrow) (1.653"ID) 1983-88	1	
044	42004	Bushing, KM172/KM175/KM177 Center Support (Rear ) (Narrow) (1.576"ID) 1983-88	1	
044	42004A	Bushing, All KM With Steel Center Support (Narrow) 1.690"ID 1988-Up	1	
046	42003	Bushing, KM170/KM171/KM172/KM175/KM171-5/KM176-5/A4AF1/A4BF2 Direct Drum (Wide) (2.047"ID) 1979-Up	1	MD707283
046	42003C	Bushing, KM172-5/KM175-5/KM177-8/A4BF1/F4A33/W4A32/W4A33 Direct Drum (Front) Narrow (2.157"ID) 1989-Up	1	
046	42003B	Bushing, KM172-5/KM175-5/KM177-8/A4BF1/F4A33/W4A32/W4A33 Direct Drum (Rear) Narrow (2.047"ID) 1989-Up	1	
046	42003A	Bushing, A4AF3 Direct Drum (Front) (2.054"ID) Fits The 42555L Drum	1	



**KM170-177/F4A33/W4A32/W4A33/A4AF1/A4AF2/A4BF1/A4AF3/A4BF2**

052	42006	Bushing, KM170/KM171 Reverse Sun Gear (.823"ID) 1979-88	2	MD707463
052	42006B	Bushing, KM175/KM177 Reverse Sun Gear (1.023"ID) 1985-88	2	
052	42006A	Bushing, KM172/KM171-5/KM172-5/KM175-5/KM176-5/KM177-8/A4AF1/A4AF3/A4BF1/A4BF2/F4A33/W4A32/W4A33 Reverse Sun Gear (1.102")	2	MD720760
056	42012	Bushing, KM175/KM177 Fwd Sun Gear (.732"ID) 1985-88	2-3	MD712766
056	42007A	Bushing, KM175-5/KM176-5/KM177-8/A4AF/A4BF/F4A33/W4A32/W4A33 Forward Sun Gear (.808"ID) 1988-Up	2-3	MD720769
058	42008	Bushing, KM170/KM171/KM172/KM171-5/KM172-5 Planet (.469"ID) 1979-Up	1	MD715286
060	42009	Bushing, KM170/KM171 Output Shaft (.904"ID) 1979-88	1	MD707454B
060	42010	Bushing, KM172/KM175/KM177 Output Shaft (Front) (1.178"ID) 1983-88	1	MD733486
060	42010CR	Bushing, KM172/KM175/KM177 Output Shaft (Rear) (1.018"ID) 1985-88	1	
060	42010A	Bushing, KM175-5/KM176-5/KM177-8/A4AF1/A4AF3/A4BF1/A4BF2/F4A33/W4A32/W4A33, Output Shaft (Front) (1.300"ID) 1988-Up	1	
060	42010B	Bushing, KM171-5 Output Shaft (.924"ID) 1989-Up	1	
<b>METAL CLAD SEALS</b>				
070	42151	Seal, All KM Series (Front) 1979-Up	1	MD955601
076	42152	Seal, All KM (Both) 1979-Up (Exc Hyundai 95-99 & F4A33 6/1992-Up) (.395" Thick)	2	MD707184
076	42152B	Seal, Hyundai (Both Axles) 1995-99	2	43119-28001
076	42152A	Seal, F4A33 (Both Axles) 6/1992-Up	2	MD742053
083	42154	Seal, KM175-5/KM176-5/KM177-8/A4AF3/A4BF1/A4BF2/F4A33/W4A32/W4A33 Overdrive Drum / End Clutch Cover, 1988-Up (11/16"ID) 1988-Up	1	MD722531
083	42154A	Seal, KM175-5/176-5/KM177-8/A4AF1/W4A32 OD Drum / End Cl Cover (1/2"ID) 1992-Up	1	MD736847
<b>FRICTION CLUTCH</b>				
100	42111	Friction, KM175/KM175-5/KM176-5/KM177-8/A4AF1/A4BF1/A4BF2/F4A33/W4A32/W4A33 Overdrive Clutch (.074") (40 Teeth) 1985-Up	3-4	MD739092
100	K42112	Friction & Steel Kit, All KM Series Overdrive Clutch (Contains; 4 Red .059" Frictions, & 4 Kolene .047" Steels) "Anti-Warp" PowerPack (Alto)	1	59757
100	42111D	Friction, A4AF3 Overdrive Clutch (.065") (36 Teeth) 2000-Up	3-4	59706A-165
106	42100A	Friction, KM171/KM172 Forward Clutch (.075") (10 Teeth) 1982-88	2-3	MD714345
106	42100	Friction, KM170/KM171/KM172/KM175/KM177 Fwd & Dir Cl (.075") (38T) 3.95"ID, 1979-88	4-6	MD713655
106	42100B	Friction, KM171-5/KM172-5/KM175-5/KM176-5/KM177-8/A4AF1/A4AF3/A4BF1/A4BF2 / W4A32, Forward & Direct Clutch (.075") (38 Teeth) (4.996"ID) 1989-Up	4-6	MD722555
106	41102A	Friction, A4AF3/A4BF2/A4BF3 Forward Clutch (.066") 38 Teeth (Eclipse) 2000-Up	4-6	45449-22770
106	41100	Friction, F4A33/W4A33 Direct Clutch (.067") (38 Teeth) (5 7/16"OD) 1990-Up	4	MD735828
106	41102	Friction, F4A33/W4A33 Forward Clutch (.067") (42 Teeth) (5 7/16"OD) 1990-Up	5	MD731582
114	42103	Friction, KM170/KM171/KM172/KM175 Low/Reverse Clutch (.072") (48 Teeth) 1979-88	4-6	MD728108
114	42107	Friction, KM171-5/KM172-5/KM175-5/KM176-5/KM177-8/A4AF1/A4AF3/A4BF1/A4BF2/W4A32, Low/Reverse Clutch (.071") (51 Teeth) 1987-Up	6	MD719833
114	42107	Friction, A4AF1/A4BF2/A4BF3 Low/Reverse Clutch (.071") 51 Teeth (Eclipse) 2000-Up	5-6	
114	41104	Friction, F4A33/W4A33 Low/Reverse Clutch (.067") (54 Teeth) (6 1/4"OD) 1990-Up	5-6	MD731586
119	K42JS	Friction Module, KM175-5/KM176-5/KM177-8/A4AF1/A4AF2/A4BF1/W4A32 1988-Up	1	
119	K42HA	Friction Module, KM171-5/KM172-5 1988-Up	1	
119	K41F	Friction Module, A4AF3/A4BF2/A4BF3 2000-Up	1	
119	K42NF	Friction Module, F4A33/W4A33 1990-Up	1	
<b>STEEL CLUTCH</b>				

**KM170-177/F4A33/W4A32/W4A33/A4AF1/A4AF2/A4BF1/A4AF3/A4BF2**

120	42112	Steel, KM175/KM175-5/KM176-5/KM177-8/A4AF1/A4BF1/A4BF2/F4A33/W4A32/W4A33 Overdrive Clutch (.032") (25 Teeth) 1985-Up	3-4	MD712528
120	42112C	Steel, A4AF3 Overdrive Clutch (.097") 25 Teeth (3.770"ID) 1993-Up	3-4	
120	42112D	Steel, A4BF Overdrive Clutch (.160") 25 Teeth (3.770"ID) 2000-Up	3-4	
126	42101	Steel, KM170/KM171/KM172/KM175/KM177 Direct Clutch (.150") (24 Teeth) (3.970"ID) 1979-88 (This Is Also The Pressure Plate #146)	3-4	MD707256
126	42101A	Steel, KM171-5/172-5/175-5/KM176-5/KM177-8/A4AF1/A4AF3/A4BF1/A4BF2/W4A32 Direct Clutch (.146") (24 Teeth) (4.117"ID) 1989-Up (This Is Also The Pressure Plate 146)	2-3	MD722559
126	42101B	Steel, F4A33 Direct Clutch (.120") (24 Teeth) (4.117"ID) 1992-Up	2-3	MD739509
126	41101	Steel, F4A33/W4A33 Direct Clutch (.088") (26 Teeth) (4.115"ID) 1990-Up	3	MD739384
126	41101C	Steel, F4A33/W4A33 Direct Clutch (.150") (26 Teeth) (4.115"ID) 1990-Up	1	
128	42102	Steel, KM170/KM171/KM172/KM175/KM177 Fwd Cl (.071", 4.00"ID) (24T) 1979-88	2	MD707255
128	42102A	Steel, KM171-5/KM172-5/KM175-5/KM176-5/KM177-8/A4AF1/A4BF1/A4BF2/W4A32 Forward Clutch (.071") (24 Teeth) (4.100"ID) 1989-Up	2-3	MD722556
128	41103B	Steel, A4AF3 Forward Clutch (.077") 24 Teeth (4.100"ID) 1993-Up		
128	41103	Steel, F4A33/W4A33 Forward Clutch (.071") (26 Teeth) (4.360"ID) 1990-Up	5	MD731604
134	42104	Steel, KM170 Low/Reverse Clutch (.071") (6 Teeth) (5.00"ID) 1979-81	3	MD707401
134	42105	Steel, KM171 Low/Reverse Clutch (.071") (12 Teeth) (5.00"ID) 1982-84	3	MD707425
134	42109	Steel, KM172/KM175/KM177 Low/Reverse Clutch (.039") (24 Teeth) (5.00"ID) 1984-88	5	MD704948
134	42106	Steel, KM171/KM172/KM175 Low/Reverse Clutch (.071") (24 Teeth) (5.00"ID) 1985-88	3	MD715438
134	42113	Steel, KM172-5/175-5/KM176-5/KM177-8/A4AF3 Low/Rev Cl (.039", 5.30"ID, 20T) 1987-Up	5	MD727798
134	42114	Steel, KM171-5/176-5/A4AF1/A4BF1/A4BF2/W4A32 Low/Rev Cl (.071", 5.30"ID, 20T) 1989-	3	MD727799
134	41105	Steel, F4A33/W4A33 Low/Reverse Clutch (.039") (20 Teeth) (5.540"ID) 1990-Up	4-5	MD731587
134	42110	Steel, KM177 Low/Reverse Clutch (.039") (24 Teeth) (5.300"ID) 1987-88	5	MD719834
139	K42JS	Steel Module, KM175-5/177-8 1988-Up	1	
139	K42HS	Steel Module, KM171-5/172-5 1988-Up	1	
139	K42NS	Steel Module, F4A33/W4A33 1990-Up	1	
<b>CLUTCH PRESSURE PLATES</b>				
140	42729	Pressure Plate, P.Plate, Overdrive Clutch (25 Teeth) .177" (4.170"ID) 1985-Up	1	
140	41132	Pressure Plate, A4AF3 Overdrive Clutch (25 Teeth) .177" (3.770"ID) 1993-Up	1	
146	42101	Steel, KM170/KM171/KM172/KM175/KM177 Direct Cl (.150") (24T) (3.970"ID) 1979-88	1	MD727157
146	42101A	Pressure Plate, KM171-5/KM172-5/KM175-5/KM176-5/KM177-8/A4AF/W4A32 Forward & Direct Clutch (.146") (24 Teeth) (4.117"ID) 1989-Up (Use 42101A)	1	
146	42732J	Pressure Plate, KM171-5/KM172-5/KM175-5/KM176-5/KM177-8/A4AF1/A4BF1/W4A32 Forward & Direct Clutch (.192") (24 Teeth) (4.100"ID) 1989-Up	1	
146	41130	Pressure Plate, A4AF3 Forward Clutch (.246")(24 Teeth)(4.215"ID)	1	
146	41131NA	Pressure Plate, F4A33/W4A33 Direct Clutch (.195") (26 Teeth) (4.120"ID) 1990-Up	1	
148	41131NB	Pressure Plate, F4A33/W4A33 Forward Clutch (.240") (26T) (Stepped) 1990-Up	1	
149	42715	Apply Plate, KM170/KM171/KM172/KM175/KM177 Forward Clutch (Bottom) (.195") (24 Teeth) (4.00"ID) (Beveled) 1979-88	1	MD707251
149	42715A	Pressure Plate, KM171-5/KM172-5/KM175-5/KM176-5/KM177-8/A4AF1/A4BF1/A4BF2/W4A32, Forward Beveled (24 Teeth) .195" (4.100"ID) Bottom 1989-Up	1	MD732408
149	41130N	Press Plate, F4A33/W4A33 Forward Cl (26T) .160" (Stepped) Bottom 1990-Up	1	
154	42719B	Pressure Plate, KM170 Low/Reverse Clutch (.150") (6 Teeth) (5.00"ID) 1979-81	1	

**KM170-177/F4A33/W4A32/W4A33/A4AF1/A4AF2/A4BF1/A4AF3/A4BF2**

154	42720A	Press Plate, KM171/KM172/KM175 Low/Rev Clu (.145") (12T, 5.00"ID) 1982-88	1	
154	42724	Press Plate, KM171-5/KM172-5/KM175-5/KM176-5/KM177-8/A4AF1/A4AF3/A4BF1/A4BF2 / W4A32 Low/Reverse Clutch (.145") (20 Teeth) (5.300"ID) 1989-Up	1	
154	42724A	Pressure Plate, KM177-8 Low/REverse Clutch (20 Teeth) .100" Thick (5.300"ID) 1989-Up	1	
154	41133A	Pressure Plate, F4A33/W4A33 Low/Reverse Clutch (.160") (20 Teeth) (5.540"ID) 1990-Up	1	
154	42719G	Pressure Plate, KM177 Low/Reverse Clutch (.166") (20 Teeth) (5.540"ID) 1988	1	
155	42719A	Apply Plate, KM170 Low/Reverse Clutch (.150") (6 Teeth) (5.00"ID) 1979-83	1	MD707402
155	42719C	Apply Plate, KM171/KM172/KM175 Low/Rev Clu (.220") (12T) (5.00"ID) Beveled, 1982-88	1	
155	TBA	Apply Plate, KM171-5/KM172-5/KM175-5/KM176-5/A4AF1/A4AF3/A4BF1/A4BF2/W4A32 Low/Reverse Clutch (.245") (20 Teeth) (5.300"ID) (Beveled) 1989-Up	1	
155	TBA	Apply Plate, KM171-5/KM172-5/KM175-5/KM176-5/A4AF1/A4AF3/A4BF1/A4BF2/W4A32 Low/Reverse Clutch (.155") (20 Teeth) (5.300"ID) (Beveled) 1989-Up	1	
155	41133B	Apply Plate, F4A33/W4A33 Low/Rev Clu (.255") (20T) (5.540"ID) (Beveled) 1990-Up	1	
<b>VALVE BODY KITS</b>				
165	K42908	Shift Kit, KM175/177/175-5/176-5/177-5 (4 Speed) 1988-Up (Mitsubishi, Hyundai, Dodge) Prevents 2-3 Cutloose, Long/Soft 3rd, 3-4 Nuetral, 4-2 Kickdown Runaway	1	SK® KM-175/77
165	K42908T	Valve Body Kit, A4AF/A4BF With 6 Solenoids (Translab)	1	
<b>OIL SEALING RINGS</b>				
175	K42903	Ring Kit, KM170/KM171/KM172 1979-88	1	
175	TBA	Ring Kit, KM175/KM177 1985-88	1	
175	K42903AT	Ring Kit, All KM Series 4 Speed (Except F4A33/W4A33) Combo 1985-Up	1	
175	K42903CT	Ring Kit, KM175-5/KM176-5/KM177-8/A4AF/W4A32 1989-Up	1	
175	K42903BT	Ring Kit, KM171-5/KM172-5 1989-Up	1	
175	K41300	Ring Kit, F4A33/W4A33 1990-Up	1	
177	42306	Ring, KM170/KM171/KM172/KM175 Input Shaft (Front) Small .944"OD (Metal) 1979-88	1-3	MD707236
177	42313T	Ring, Input Shaft (Front) Small 1.023"OD (Teflon) 1983-Up	3	MD722551
179	42301	Ring, All KM Series Pump Stator 2.165"OD (Metal) 1979-Up	2	MD707646
179	42301T	Ring, All KM Series Pump Stator 2.165"OD (Teflon) 1988-Up	2	MD713991
181	42305	Ring, KM170/KM171/KM172/KM175 Forward Drum (Front) 1.259"OD (Metal) 1979-88	1	MD707235
181	97301T	Ring, KM170/KM171/KM172/KM175 Forward Drum (Front) 1.259"OD (Teflon) 1979-88	1	35712-30020
181	42314T	Ring, Forward Drum (Front) 1.370"OD (Metal) 1988-Up	1	MD722639
182	42315T	Ring, Reverse Sun Gear 1.574"OD (Teflon) 1989-Up	1	MD722278
185	42307T	Ring, All KM 3 Speed Series Input Shaft (Rear) .513"OD (Teflon) 1979-Up	1	MD707237
185	42312	Ring, All KM 4 Speed Series Overdrive Drum (Lock Joint) (Metal) 1985-Up	1	MD711875
189	42300	Ring, KM170/171/172/175/171-5/172-5 Governor 1.389"OD (Metal) 1979-Up	3	MD715020
191	42303	Ring, Accumulator Piston (Inner) .882"OD (Metal)	1	MD707204
192	42302	Ring, All KM Series Accumulator Piston (Outer) 1.772"OD (Metal)	1	MD707202
194	42308TA	Ring, Servo Piston (Small) 1.785"OD (Teflon)	1	MD707369
194	42308T	Ring, Servo Piston (Small) 1.947"OD (Teflon)	1	MD715047
	42309T	Ring, Servo Piston (Small) 2.086"OD (Teflon)		
195	TBA	Ring, Servo Piston (Large) 2.800"OD (Teflon)	1	
195	TBA	Ring, Servo Piston (Large) 2.840"OD (Teflon)	1	
195	42319T	Ring, Servo Piston (Large) 3.070"OD (Teflon)	1	
195	42311T	Ring, Servo Piston (Large) 3.267"OD (Teflon)	1	

**KM170-177/F4A33/W4A32/W4A33/A4AF1/A4AF2/A4BF1/A4AF3/A4BF2**

		<b>WASHERS &amp; BEARINGS</b>		
211	42907AA	Washer, All KM Series Stator To Dir Drum (.055") Fiber (Also Fwd Drum To Dir Drum)	1-2	
211	42907	Washer, All KM Series Stator To Direct Drum (.070") Fiber	1	
211	42907A	Washer, All KM Series Stator To Direct Drum (.086") Fiber	1	
211	42907B	Washer, All KM Series Stator To Direct Drum (.100") Fiber	1	
211	42907C	Washer, All KM Series Stator To Direct Drum (.118") Fiber	1	
211	42000-01K	End Play Shim Kit, All Km Series Stator To Drums (7-Fiber Washers, 6-Steel Shims)	1	Sonnax
214	42918	Washer, KM175 Hub To Overdrive Drum (4 Tab) (1.415"OD)	1	
214	42918A	Washer, KM175-5/176-5/177-8/A4AF1/BF1/BF2/W4A32 Hub To OD Drum, 4-Tab, 1.49"OD	1	MD-734101
214	42918G	Washer, A4AF3 Hub To Overdrive Drum (.079" Thick) No Tabs (1.008"ID) (1.415"OD)	1	
214	42918N	Washer, F4A33/W4A33 Hub To Overdrive Drum (4 Tab) (1.500"OD)	1	
220	42411	Washer, KM175 Overdrive Hub Front With (1 Tab) (.072")	1	MD715877
220	42412	Bearing With Race, KM175-5/176-5/177-8/A4AF1/AF3/W4A32/W4A33 OD Hub Front	1	
220	42412A	Bearing W/Race & Cup Race, A4BF1/A4BF2 OD Hub (Front) .109" Thick (1.669"OD) 1.108"ID (Cup Race Has 6 Flat Sides) 2 Piece Set (Sell A K42412 Per ATRA)	1	
220	42412B	Shim, A4BF1/A4BF2 Overdrive Hub (Front) (.015" Thick)(Use With 42412A Bearing To Correct Endplay, Per ATRA)(Sell K42412 Per Atra)	1	
220	K42412	End Play Kit, A4BF1A4BF2 Od Hub (Front) Contains: 42412A, 42412B & 42007A	1	
220	42412C	Bearing W/Race, KM177 Overdrive Hub (Front)	1	
223	TBA	Ball Bearing, KM175-KM177 OD Drum To OD Cover (1.118"OD, 11/16"ID, 1985-88)	1	
223	TBA	Ball Brng, KM175-8/KM176-5/KM177-8/A4AF1/F4A33/W4A32/W4A33 Overdrive Drum To Overdrive Cover (1.122"OD) (1/2"ID) 1989-95	1	
223	TBA	Ball Brng, A4AF3/A4BF1/A4BF2 Overdrive Drum To Overdrive Cover (1.181"OD) (.671"ID)	1	
228	42902	Race, All KM Series Forward Drum To Stator (.030")	1	
228	42902A	Race, All KM Series Forward Drum To Stator (.046")	1	
228	42902AA	Race, All KM Series Forward Drum To Stator (.055")	1	
228	42902AB	Race, All KM Series Forward Drum To Stator (.062")	1	
228	42902AC	Race, All KM Series Forward Drum To Stator (.070")	1	
228	42902AD	Race, All KM Series Forward Drum To Stator (.078")	1	
229	42901	Bearing With Race, All KM Series Forward Drum To Stator	1	
230	42907AA	Washer, All KM Series Forward Drum To Direct Drum (2 3/4"OD) (.055")	1	
230	42906	Washer, F4A33/W4A33 Forward Drum To Direct Drum (2 9/16"OD)	1	
231	42905	Race, KM170/KM171 Forward Drum To Hub (1 3/8"OD)	1	
231	42916	Race, KM172/KM175 Forward Drum To Hub (1 9/16"OD) (3/4"ID)	1	
231	42916E	Race, Forward Drum To Hub (1 9/16"OD) (13/16"ID)	1	
232	42909	Bearing W/Race, KM170/KM171 Forward Drum To Hub	1	
232	42904	Bearing W/Race, KM172/KM175 Forward Drum To Hub	1	
232	42904E	Bearing W/Race, Forward Drum To Hub	1	
234	42902	Race, All KM Series Forward Hub To Kickdown Drum (.060")	1	
234	42902A	Race, All KM Series Forward Hub To Kickdown Drum (.030")	1	
234	42902AA	Race, All KM Series Forward Hub To Kickdown Drum (.063")	1	
241	42909	Bearing, KM170/KM171 Reverse Sun Gear To Forward Sun Gear (.880"ID)	1	

# KM170-177/F4A33/W4A32/W4A33/A4AF1/A4AF2/A4BF1/A4AF3/A4BF2

241	42909E	Bearing, KM170/KM171 Reverse Sun Gear To Forward Sun Gear (1.030"ID)	1	
241	42902G	Bearing, Reverse Sun Gear To Forward Sun Gear (1.208"ID)	1	
241	42908N	Race, F4A33/W4A33 Reverse Sun Gear To Forward Sun Gear (1.225"ID)	1	
242	42908	Race, KM172/KM175 Reverse Sun Gear To Forward Sun Gear (1.028"ID)	1	
242	42908E	Race, Reverse Sun Gear To Forward Sun Gear (1.208"ID)	1	
242	42908NA	Bearing W/Race, F4A33/W4A33 Reverse Sun Gear To Forward Sun Gear	1	
247	42523	Bearing, Forward Sun Gear To Planet (Stays In Planet)	1	
247	42901	Bearing, KM172/KM175 (Some) Forward Sun Gear To Planet	1	
247	42901G	Bearing W/Races, A4AF3/A4BF1/A4BF2 Forward Sun Gear To Planet (Stays In Planet)	1	
247	42901N	Bearing W/Race, F4A33/W4A33 Forward Sun Gear To Planet (Stays In Planet)	1	
248	42908	Race, KM172/KM175 (Some) Forward Sun Gear To Planet	1	
251	42523	Brng W/Race, KM170/KM171 Planet To Output Hub & Fwd To Kickdown Drum (1.805"OD)	1-2	
251	42523E	Bearing W/Race, KM172/KM175/KM171-5/KM172-5/KM175-5/KM176-5/A4AF1 Planet To Output Hub & Forward Drum To Kickdown Drum (2.045"OD)	1-2	
251	42523N	Bearing W/Race, KM177-8/F4A33/W4A33 Planet To Output Hub (2.128"OD) (Also Forward Hub To Kickdown Drum)	1-2	
251	45253G	Bearing W/Races, A4BF3/A4BF1/A4BF2 Planet To Hub (.142" Thick)(2.100"OD)	1	
252	TBA	Race, KM170/KM171 Planet To Output Hub (1.455"ID)	1	
252	TBA	Race, KM175/KM171-5/KM172-5 Planet To Output Hub (1.528"ID)	1	
268	TBA	Ball Bearing, KM170/KM171/KM171-5 Drive Gear (Front) (1.358"ID)	1	
268	TBA	Ball Bearing, KM172/KM175 Drive Gear (Front) 1.575"ID (2.830"OD)	1	
268	TBA	Ball Bearing, KM175-5/KM176-5/KM177-8 Drive Gear (Front) 1.770"ID	1	
268	TBA	Ball Bearing, A4AF1/F4A33/W4A32/W4A33 Drive Gear (Front) 2.365"ID	1	
268	TBA	Double Ball Brng, A4AF3 Drive Gear (Front)(W/4 Bolt Flange)(2.045"ID)(4.109"OD W/Flange)	1	
268	TBA	Ball Bearing, A4BF1/A4BF2 Drive Gear (Front)(2.165"ID)	1	
268	TBA	Ball Bearing, KM172-5 Drive Gear (Front) 1.575"ID (3.145"OD)	1	
271	TBA	Ball Bearing, KM170/KM171/KM171-5 Drive Gear (Rear) 1.175"ID	1	
271	TBA	Ball Bearing, KM172/KM175 Drive Gear (Rear) 1.375"ID	1	
271	TBA	Ball Bearing, KM175-5/KM176-5/KM177-8 Drive Gear (Rear) 1.572"ID	1	
271	TBA	Ball Bearing, A4AF1/F4A33/W4A32/W4A33 Drive Gear (Rear) 2.165"ID	1	
271	TBA	Ball Bearing, A4AF1/A4AF2 Drive Gear (Rear)(1.930"ID)	1	
271	TBA	Ball Bearing, KM172-5 Drive Gear (Rear) 1.575"ID	1	
273	TBA	Cup Race, KM Pinion To Case & Driven Transfer Gear To Case	1-2	
273	TBA	Cup Race, KM175-5/176-5/177-8 Pinion To Case & Driven Transfer Gear To Case	1-2	
273	TBA	Cup Race, A4AF1/A4AF3/A4BF1/A4BF2 Pinion To Case (2.840"OD)	1	
273	TBA	Race, F4A33/W4A32/33 Pinion To Case & Driven Transfer Gr To Case (Cast# 32209J)	1-2	
273	TBA	Cup Race, F4A33 Pinion To Case & Driven Transfer Gear To Case (Cast # 57583-N)	1-2	
274	TBA	Cone Brng, KM170/171/172/175/171-5/172-5 Pinion & Driven Transfer Gear	1-2	
274	TBA	Cone Brg, KM175-5/176-5/177-8/A4AF/F4A33/W4A32/33 Pinion & Driven Transfer Gr	1-2	
274	TBA	Cone Bearing, A4AF1/A4AF3/A4BF1/A4BF2 Pinion Shaft (17 Rollers)(1.375"ID)	1	
275	TBA	Shim, KM175-5/176-5/177-8/A4AF1/F3/A4BF1/2 Pinion Shaft To Driven Trans Gr (.062")	1	
280	TBA	Cone Bearing, A4AF3/A4BF1/A4BF2 Transfer Drive Gear (19 Rollers)(1.770"ID)	1	

# KM170-177/F4A33/W4A32/W4A33/A4AF1/A4AF2/A4BF1/A4AF3/A4BF2

281	TBA	Cup Race, A4AF3/A4BF1/A4BF2 Transfer Drive Gear (.627" Thick)(3.350"OD)(2.805"ID)	1	
284	TBA	Washer, All KM Series (Except F4A33/W4A33) Idler Gear To Case (W/ 1 Tab) (2.440"OD)	1	
284	TBA	Washer, F4A33/W4A33 Idler Gear To Case (With 1 Tab) (1.965"OD)	1	
289	TBA	Ball Brng, A4AF3 Diff Hsg (Both Sides)(2.835"OD)(1.377"ID)(.715" Thick) (8 Balls)	2	
290	TBA	Shim, KM175-5/KM176-5/KM177-8 Differential Bearing Race To Case (.090")	1	
290	TBA	Shim, A4AF3/A4BF1/A4BF2 Differential Bearing Race To Case (.063")	1	
291	TBA	Cup Race, F4A33 Differential Bearing	2	
292	TBA	Use #289	1	
		<b>GASKETS &amp; RUBBER COMPONENTS</b>		
300	42500	Gasket, KM170 Bottom Pan (12 Bolt) 1979-81	1	
300	42500	Gasket, KM171/KM172/KM175/KM171-5/KM172-5/KM175-5/KM176-5 Bottom Pan (12 Bolt)	1	
300	41500A	Gasket, A4AF1/A4AF3 Bottom Pan (13 Bolt) 1991-96	1	
300	41500AF	Gasket, A4AF1/A4AF3 Bottom Pan (13 Bolt) (Durapreme) 1991-96	1	
300	41500B	Gasket, A4BF1/A4BF2 Bottom Pan (13 Bolt) 1996-Up	1	
300	41500BF	Gasket, A4BF1/A4BF2 Bottom Pan (13 Bolt) 1996-Up (Farpak)	1	
300	41500	Gasket, F4A33/W4A32/W4A33 Bottom Pan (14 Bolt) 1990-Up	1	
300	425004	Gasket, KM177/KM177-8 Bottom Pan (13 Bolt) 1987-Up	1	
309	13268C	Seal, All KM Series Pump Bolt 1979-Up	6	MD707653
310	42502	Gasket, KM170 Pump 1979-81	1	MD707652
310	42502A	Gasket, All KM Series (Except F4A33/W4A32/W4A33) Pump 1982-Up	1	MD722385
310	41501A	Gasket, A4AF1/A4AF2 Pump To Case 1991-Up	1	
310	41501	Gasket, F4A33/W4A32/W4A33 Pump 1990-Up	1	MD752978
311	42522	O-Ring, All KM Series Pump 1979-Up	1	MD707636
313	42925	Seal, KM171-5/172-5/175-5/176-5/177-8/A4AF/F4A33 Inner Pump Gr To Conv Hub, L88-Up	1	MD729928
318	42501	Gasket, KM170/KM171/KM172 Case To Bell Housing Gasket (14 Hole Cork) 1979-88	1	MD707221
318	42501A	Gasket, KM171/KM172/KM175 Case To Bell Housing Gasket (18 Hole Cork) 1984-88	1	MD700782
318	42501B	Gasket, KM171-5/172-5/175-5/176-5/177-8 Case To Bell Hsg (18 Hole, Metal) 1989-Up	1	MD730804
326	42503	Gasket, All KM Series Filter 1979-81	1	
326	42503A	Gasket, All KM Series Filter 1982-Up	1	
330	K42540	Repair Kit, KM175/KM175-5/KM176-5/KM177/KM177-8 OD Clu (O-Rings) 1987-UP	1	
330	K42112	Repair Kit, KM175/175-5/176-5/177/177-8 OD Clu (O-Rings, Frict & Steels) 1985-Up	1	59757
330	K42540A	Repair Kit, F4A33/W4A32/W4A33 Overdrive Clutch (End Clutch) 1991-Up	1	
	K42900-2	Repair Kit, Kickdown Servo 78mm Bore	1	K77900-2
	K42541A	Repair Kit, Kickdown Servo 83mm Bore	1	K77900-8
381	TBA	O-Ring, All KM Series (With 2 Piece Case) Stator Tube	1	
		<b>TECHNICAL MANUALS</b>		
400	TMKM171	Technical Manual, KM171/KM172 (3 Speed)	1	83-171TM
400	TMKM175	Technical Manual, KM175 (4 Speed)	1	83-175TM
400	TMF4A3	Technical Manual, F4A33/W4A32/W4A33 (4 Speed) 1 Piece Case	1	
400	TMKM177	Technical Manual, KM177/KM177-8 (4 Speed) With V-6	1	83-177TM
		<b>ELECTRICAL COMPONENTS</b>		
410	42991A	Neutral Switch, KM171/KM172 (4 Prong Round Connector)	1	
410	42991B	Neutral Switch, KM175 (11 Prong Round Connector)	1	
410	42991C	Neut Swi, W/ Wire Harn KM171-5/175-5/176-5 (11 Prong Rectang Conn, 10-1/4" Long)	1	



**KM170-177/F4A33/W4A32/W4A33/A4AF1/A4AF2/A4BF1/A4AF3/A4BF2**

410	42991D	Neutral Switch, KM175-5 (With 7 Prong Connector) Cast # PPS-GF15	1	
410	42991E	Neutral Switch, F4A22/F4A23 (11 Prong Oval Conn That Points Up) Cast # PPS-GF15	1	
410	42991F	Neutral Switch, W/ Wire Harn KM177-8 (With 11 Prong Rectangle Conn) 17" Long	1	
410	42991G	Neutral Switch, A4AF3/A4BF1/A4BF2 (With 11 Prong Oval Conn)(Cast # PA66-0GF15)	1	
410	42991N	Neutral Switch, W/ Wire Harn, F4A33/W4A33 (11 Prong Rectang Conn) 13-1/4" Long	1	
410	42991NA	Neutral Switch, W/ Wire Harn F4A33 (11 Prong Oval Conn) 13-3/4" Long	1	
410	42991NB	Neutral Switch, F4A33 (11 Prong Oval Conn That Points Down) Cast # PPS-GF15	1	
410	42991AA	Neutral Switch, KM172-5 (4 Prong Square Connector)	1	
420	K42935R	Sol Kit, KM 4 Speed (4 Sol) W/ 3 OHM L/Up Sol, All Hyundai 1985-99, Mitsubish 1987-92	1	52-9009
420	MS-KM175	Solenoid Master Kit, KM 4 Speed 1985-92 (With Wire Harness) TeckPak	1	MS KM-175
420	K42936R	Solenoid Kit, All KM 4 Speed (With 4 Solenoids) With 12 OHM Lock-Up Solenoid, Mitsubishi	1	52-9010
		1993-Up)(Includes F4A33)(Flat Nose Solenoids But Fit For Long Snout Solenoids)		
420	MS-KM175A	Solenoid Master Kit, KM 4 Speed 1993-Up (A T42420EK With Wire Harness) TeckPak	1	MS KM175-93
420	K43937R	Solenoid Assembly, A4BF3 (6 Solenoids With Case Connector) 2000-Up Rpstra	1	52-9023
420	41990	Sol Ass'y, F4A33 (Diamante, 3000GT, Expo, Gallant) 90-92 (3 Ohm L/Up) (Use 41990C)	1	MD734199
420	41990A	Solenoid Assembly, F4A33 (Mitsubishi, Eclipse) 1991-92	1	MD-755009
420	41990A	Solenoid Assembly, F4A33 (Diamante, Stealth, 3000GT) 1993	1	MD-734147
420	41990A	Solenoid Assembly, F4A33 (Mitsubishi, Eclpise) 1993-94	1	MD-755008
420	41990B	Solenoid Assembly, F4A33 (Expo 1993-94) All Models 1995-96	1	MD-754832
420	41990C	Solenoid Ass'y, KM175-5, F4A33, 90 Degree Conn, (3 OHM L/Up) 89-Up (Can Use 41990)	1	S-83
421	42930	Solenoid, KM 4 Speed 1-2 Shift (Orange Wire) 1987-97	1	
421	42930A	Solenoid, KM 4 Speed 3-4 Shift (Yellow Wire) 1987-97	1	
425	42935	Solenoid, KM Series TCC (Red Wire) 1987-93	1	
425	42936	Solenoid, KM Series TCC (Lock-Up) (White Wire) 1993-Up	1	
425	42935A	Solenoid, KM Series EPC (Blue Wire) 1987-97	1	
431	42935	Solenoid, KM175-5/KM177-5 EPC	1	
436	T42436P	Switch, KM171/KM172/KM175 Pulse Generator (Speed Sensors)	1	
436	T42436P	Switch, KM171-5/KM175-5/KM176-5 Pulse Generators (Speed Sensors)	1	
436	T42436G	Switch, KM177-8 Pulse Generator (Speed Sensor)	1	
436	T42436LB	Switch, A4AF3/A4BF1/A4BF2 Pulse Generator (Speed Sensors)	1	
436	T42436M	Switch, F4A33/W4A33 Pulse Generator (Speed Sensors)	1	
436	TBA	Switch, KM177 Pulse Generator	1	
437	42437J	Sensor, KM176-5/F4A21 Oil Temperature (TOT) 1989-95	1	TBA
437	42437L	Sensor, A4AF1/A4AF3/A4BF1/A4BF2 Oil Temperature (TOT) 1993-Up	1	TBA
437	42437M	Sensor, F4A33/W4A33 Oil Temperature (Brass)	1	TBA
437	42437MA	Sensor, F4A33/W4A33 Oil Temperature (TOT) (Plastic) 1991-99	1	TBA
440	TBA	Switch, KM175/KM177 Kickdown Servo 1985-88	1	
440	TBA	Switch, KM175-5/KM177-8 Kickdown Servo 1989-Up	1	
440	TBA	Switch, KM176-5 Kickdown Servo	1	
440	TBA	Switch, F4A33/W4A33 Kickdown Servo	1	
		<b>MISC. COMPONENTS</b>		
484	TBA	Plug, KM Series Servo Air Exhaust Elbow	1	45245-37000
494	TBA	Filler Tube, F4A33/W4A33 (15" Long)	1	
494	TBA	Filler Tube, F4A33 (6" Long)	1	

**KM170-177/F4A33/W4A32/W4A33/A4AF1/A4AF2/A4BF1/A4AF3/A4BF2**

		<b>HARD PARTS</b>		
500	42912	Pump, KM170 1979-81	1	
500	42912A	Pump, KM171 Non Vented Body (Use With Vented Case) 1983-88	1	
500	42912AA	Pump, KM171 With Vented Body (Use With Non Vented Case) 1983-88	1	
500	42912D	Pump, KM175 Non Vented Body (Use With Vented Case) 1985-88	1	
500	42912DA	Pump, KM175 With Vented Body (Use With Non Vented Case) 1985-88	1	
500	42912B	Pump, KM172 Non Vented Body (Use With Vented Case) 1983-88	1	
500	42912C	Pump, KM172 With Vented Body (Use With Non Vented Case) 1983-88	1	
500	42912E	Pump, KM175-5 1988-Up	1	
500	42912F	Pump, KM177-8 1989-Up	1	
500	42912H	Pump, KM171-5/KM176-5 (With 3 Rings On Input Shaft) (1 Bushing Direct Drum) 1989-Up	1	
500	41912G	Pump, A4AF1 (1 Bsh Dir Drum) 1991-99 (Ring Tower 1 5/8" From Washer Surface To End)	4	
500	41912GA	Pump, A4BF1 (2 Bushing Direct Drum) 1991-99	1	
500	41912GB	Pump, A4BF2 (1 Bsh Dir Drum) 2000-Up (Ring Tower 1 1/2" From Washer Surface To End)	4	
500	41912GC	Pump, A4AF3 (1 Bsh Dir Drum) 2000-Up (Ring Tower 1 5/16" From Washer Surfac To End)	1	
500	41912GD	Pump, A4BF3 (1 Caged Needle Brng In Dir Drum) 2000-Up(Ring Tower 1 5/16" From Wsh	1	
		Surface To End) (Steel Sleeve On The End Where The Needle Needle Bearing Rides)	1	
500	41912	Pump, F4A33/W4A33 (With 1 Ring On Input Shaft) 1990-Up	1	
500	41912A	Pump, F4A33/W4A32/W4A33 (With 3 Rings On Input Shaft) (2 3/4" Stator Shaft) 1990-Up	1	
500	41912AA	Pump, F4A33/W4A32/W4A33 (With 3 Rings On Input Shaft) (2 1/2" Stator Shaft) 1990-Up	1	
500	42912G	Pump, KM177 (With 1 Ring Input Shaft) 1 Bushing Direct Drum 1987-88	1	
500	42912CA	Pump, KM172-5 1989-Up	1	
510	42910D	Pump Body W/Gears, KM171/KM172/KM175 Non Vented (Use With Vented Case) 1983-88	1	
510	42910DA	Pump Body W/Gears, KM171/KM172/KM175 Vented (Use With Non Vented Case) 1983-88	1	
510	42910E	Pump Body W/Gears, KM171-5/KM175-5/KM176-5/KM177-8 1988-Up	1	
510	41910G	Pump Body W/Gears, A4AF1/ A4BF1 (13 Teeth Inner Pump Gear) 1991-99	1	
510	41910GA	Pump Body W/Gears, A4AF3 / A4BF2 (11 Teeth Inner Pump Gear) 2000-Up	1	
510	41910N	Pump Body W/Gears, F4A33/W4A32/W4A33 1990-Up	1	
510	41910DB	Pump Body W/Gears, KM172-5 1989-Up	1	
520	42911	Stator, KM171/KM172/KM175 (With 3 Ring Input Shaft) Use With Vented Case 1983-88	1	
520	42911A	Stator, KM171/KM172/KM175 (With 3 Ring Input Shaft) For Non Vented Case) 1983-88	1	
520	42911B	Stator, KM175-5/KM172-5 (With 3 Ring Input Shaft) 2 Bushing Direct Drum 1988-Up	1	
520	42911D	Stator, KM177-8 (With 1 Ring On Input Shaft) 2 Bushing Direct Drum 1989-Up	1	
520	42911C	Stator, KM171-5/KM176-5 (With 3 Rings On Input Shaft) 1 Bushing Direct Drum 1989-Up	1	
520	42911CA	Stator, KM171-5 (With 1 Ring On Input Shaft) 1 Bushing Direct Drum 1989-Up	1	
520	41911G	Stator, A4AF1 (1 Bsh Dir Drum) 1991-99 (Ring Tower 1 5/8" From Wsh Surface To End)	1	
520	41911GA	Stator, A4BF1 (2 Bsh Dir Drum) 1991-99 (Ring Tower 1 7/8" From Wsh Surface To End)	1	
520	41911GB	Stator, A4BF2 (1 Bsh Dir Drum) 2000-Up (Ring Tower 1 1/2" From Wsh Surface To End)	1	
520	41911GC	Stator, A4AF3 (1 Bsh Dir Drum) 2000-Up (Ring Tower 1 5/16" From Wsh Surface To End)	1	
520	41911GD	Stator, A4BF3 (1 Caged Needle Brng In Dir Drum) (Ring Tower 1 5/16" From Washer	1	
		Surface To End) (Steel Sleeve On The End Where The Needle Bearing Rides)		

**KM170-177/F4A33/W4A32/W4A33/A4AF1/A4AF2/A4BF1/A4AF3/A4BF2**

520	41911N	Stator, F4A33/W4A33 (With 1 Ring On Input Shaft) 1990-Up	1	
520	41911NA	Stator, F4A33/W4A32/W4A33 (With 3 Rings On Input Shaft) 1990-Up (2 3/4" Long Shaft)	1	
520	41911NB	Stator, F4A33/W4A32/W4A33 (With 3 Rings On Input Shaft) 1990-Up (2 1/2" Long Shaft)	1	
520	42911E	Stator, KM177 (With 1 Ring Input Shaft) 1 Bushing Direct Drum 1987-88	1	
		<b>PUMP COMPONENTS</b>		
507	TBA	Check Ball, KM Series Pump Stator	1	16011-10000
530	K42201	Pump Gears, KM171-5/KM172-5/KM175-5/KM176-5/KM177-8/A4AF	1	
530	K41201	Pump Gears, W4A32/F4A33/W4A33	1	
		<b>HARD PARTS (Continued)</b>		
550	42926	Drum, KM175 Overdrive (3 Clutch) (1 Groove On ID) 1985-89	1	
550	42926A	Drum, KM175-5/KM176-5/A4AF1 Overdrive (3 Clutch) (Stepped Lugs On OD) (1 1/8" Tall)	1	
550	42926B	Drum, KM175-5/KM176-5 Overdrive (3 Clutch) (Lugs On OD Are Not Stepped)	1	
550	42926G	Drum, KM177-8/F4A23 Overdrive (4 Clutch) (Stepped Lugs On OD)	1	
550	42926GA	Drum, KM177-8/A4BF1/A4BF2 Overdrive (4 Clu)(Lugs On OD Are Not Stepped)(1 1/4" Tall)	1	
550	42926GB	Drum, A4BF Overdrive (3 Clutch) (Stepped Lugs On OD)(1 5/8" Tall)	1	
550	42926GC	Drum, A4AF3 Overdrive (5 Clutch) (Lugs On OD Are Not Stepped)(1 3/4" Tall)	1	
550	41810	Drum, F4A33/W4A32/W4A33 Overdrive (4 Clutch) (1.230" ID Piston) 1990-Up	1	
554	42733C	Drum, KM171 Forward With Input Shaft (2 Clutch)	1	
554	42733D	Drum, KM175 Forward Without Shaft (3 Clutch) 5 5/8" OD 1985-89	1	
554	42733J	Drum, KM172 Forward With Input Shaft (3 Clutch)	1	
554	42733G	Drum, KM175-5 / (KM177-8 Some) / A4BF1 Forward Without Shaft (3 Clutch) 5 5/8" OD (.640" Tall Inner Piston Hub) 1988-Up	1	
554	42733H	Drum, KM177-8 (Some) Fwd W/O Shaft (3-Clu) 5 5/8" OD (.570" Tall Inner Piston Hub) 1994-	1	
554	42733HA	Drum, KM171-5 Forward Without Shaft (2 Clutch) (5 5/8" OD) 1989-Up	1	
554	42733HB	Drum, KM171-5 Forward With 3 Ring Input Shaft (2 Clutch) (5 5/8" OD) 1989-Up	1	
554	42733	Drum, KM176-5/A4AF1 Forward Without Shaft (2 Clutch) (5 5/8" OD) 1989-Up	1	
554	41733G	Drum, A4BF2 Fwd W/O Shaft (5-Clu) (5 1/2" OD) (With 1" Tall Inner Piston Hub) 2000-Up	1	
554	41733GA	Drum, A4AF3 Fwd W/O Shaft (4-Clu) (5 1/2" OD) (With 7/8" Tall Inner Piston Hub) 2000-Up	1	
554	41733N	Drum, F4A33/W4A33 Forward Without Shaft (5 Clutch) 6" OD 1990-Up	1	
554	42733HC	Drum, KM172-5 Forward With Input Shaft (3 Clutch) 1989-Up	1	
555	42716	Drum, KM171 Direct (2 Clutch) 4.50" OD Piston (8 Lugs) 1983-88	1	
555	42716A	Drum, KM171 Direct (2 Clutch) 5.00" OD Piston (8 Lugs) 1983-88	1	
555	42716E	Drum, KM175 Direct (3 Clutch) 1 3/4" Tall (1 Bushing) 1985-89	1	
555	42716EA	Drum, KM172 Dir (3-CI) 1 1/2" Tall (1 Bsh) 1983-89 (.085" Snap Ring Groove For #879)	1	
555	42716EB	Drum, KM172 Dir (3-CI) 1 1/2" Tall (1 Bsh) 1983-89 (.060" Snap Ring Groove For #879)	1	
555	42716EC	Drum, KM175-5/KM177-8/A4BF1 Direct (3 Clutch) 1 5/8" Tall (2 Bushing) 1988-Up	1	
555	42716ED	Drum, KM171-5/KM176-5/A4AF Direct (2 Clutch) 1 Bushing (12 Lugs) 1989-Up	1	
555	41716N	Drum, F4A33/W4A33 Direct (4 Clutch) 2 Bushings 1990-Up	1	
555	41716G	Drum, A4AF3 Dir (2-CI)(1.325" Tall)(1 Bsh 5/16")(Lugs 1/4" Down From Top Of Drum) 2000-	1	
555	41716GA	Drum, A4BF3 Dir (3-CI)(1.550" Tall)(1 Bsh 1/2")(Lugs 1/2" Down From Top Of Drum) 00-Up	1	
555	41716GB	Drum, A4BF3 Direct (2-Clu)(1.325" Tall)(1 Caged Needle Bearing Inside Instead Of Bsh)	1	
555	41716NA	Drum, F4A33/W4A33 Direct (4 Clutch)(2 Bushing) 1990-Up	1	

**KM170-177/F4A33/W4A32/W4A33/A4AF1/A4AF2/A4BF1/A4AF3/A4BF2**

555	42716EE	Drum, KM172-5 Direct (3 Clutch) 1 1/2" Tall (2 Bushing) 1989-Up	1	
570	42950	Clutch Hub, KM175 Overdrive (2 Clutch) 26 Splines 1985-89	1	
570	42950A	Clutch Hub, KM171-5/KM176-5/A4AF1/A4BF1/A4BF2 OD (3 Clu)(27 Splines) 1980-Up	1	
570	42950B	Clutch Hub, KM177-8/W4A32 Overdrive (4 Clutch) 27 Splines (.930" Tall) 1989-Up	1	
570	41950G	Clutch Hub, A4AF3 Overdrive (4 Clutch) 36 Teeth Clutch Hub (3.660" OD) 2000-Up	1	
570	41950N	Clutch Hub, F4A33/W4A33 Overdrive (4 Clutch) 40 Teeth (4.030" OD) 1990-Up	1	
574	42796	Clutch Hub, KM171 Forward (10 Teeth) 1983-88	1	
574	42796A	Clutch Hub, KM171 Forward (38 Teeth) 1983-88	1	
574	42796E	Clutch Hub, Km172/KM175 Forward (38 Teeth) 1983-89	1	
574	42796EA	Clutch Hub, KM172-5/KM177-5/Some KM177-8/A4BF1/A4BF2/W4A32 Fwd (38T) 1988-Up	1	
574	42796EB	Clutch Hub, Some KM177-8 Forward (38 Teeth) With 4.060" OD At Friction Splines	1	
574	42796EC	Clutch Hub, KM171-5/KM176-5/A4AF Forward (38 Teeth) 1989-Up	1	
574	42796G	Clutch Hub, A4AF3 Forward (38 Teeth)(4 Clutch)(1 3/16" Tall)(4 1/16" OD)	1	
574	42796N	Clutch Hub, F4A33/W4A33 Forward (42 Teeth) 5 Clutch (27 Splines) 1.580" Tall 1990-Up	1	
583	K42747	Planet Kit, KM171 1983-88	1	
583	K42747A	Planet Kit, KM175 (26 Teeth Forward Sun Gear) 1985-89	1	
583	K42747B	Planet Kit, KM175 (29 Teeth Forward Sun Gear) 1985-89	1	
583	K42747C	Planet Kit, KM172 (15/16" Thick Low/Reverse Clutch Hub) 1983-88	1	
583	K42747D	Planet Kit, KM172 (13/16" Thick Low/Reverse Clutch Hub) 1983-88	1	
583	K42747E	Planet Kit, KM175-5 / A4AF-2 (No Groove) Lug Height Is .950" (Can Use 42583EA) 1988-Up	1	
583	K42747EA	Planet Kit, KM175-5 / A4BF-2 (1 Groove) Lug Height Is .950" (Can Use 42583E) 1988-Up	1	
583	K42747G	Planet Kit, KM177-8 (No Groove) 1989-Up (Planet With Sun Gears & Brngs, Less Ring Gear (Forward Sun Gear 29 Teeth / Reverse Sun Gear 34T)	1	
583	K42747H	Planet Kit, KM177-8/W4A32 (1 Groove) Can Use 42583G 1989-Up (Contains: Planet W/Sprag, Forward & Reverse Sun Gears, Bearings, Races)	1	
583	K42747J	Planet Kit, KM171-5 (No Groove) 1989-Up	1	
583	K42747K	Planet Kit, KM176-5/A4AF1/AF2 (Lug Hgt .844") (Brng #247 Has 1 Race On Bottom) 89-Up	1	
583	K41747G	Planet Kit, A4AF3 (Lug Height Is .844")(Bearing #247 Has 2 Races) 2002-Up	1	
583	K41747GA	Planet Kit, A4BF1/A4BF2 (Lug Height Is .950") (Bearing #247 Has 2 Races) 2002-Up	1	
583	K41747D	Planet Kit, F4A33/W4A33 1990-Up	1	
583	K42747L	Planet Kit, KM172-5 1989-Up	1	
584	42747	Planet W/Sprag, KM171 1983-88	1	
584	42747E	Planet W/Sprag, KM175 (Has A 26 Tooth Forward Sun Gear) 1985-89	1	
584	42747F	Planet W/Sprag, KM175 (Has A 29 Tooth Forward Sun Gear) 1985-89	1	
584	42747B	Planet W/Sprag, KM172 (15/16" Thick Low/Reverse Clutch Hub) 1983-88	1	
584	42747BA	Planet W/Sprag, KM172 (13/16" Thick Low/Reverse Clutch Hub) 1983-88	1	
584	42747A	Planet W/Sprag, KM175-5 (22 Teeth On Short Gears With No Groove) 1988-Up	1	
584	42747C	Planet W/Sprag, KM175-5 (22 Teeth On Short Gears With 1 Groove) 1988-Up	1	
584	42747G	Planet W/Sprag, KM175-5 (19 Teeth On Short Gears With 1 Groove) 1988-Up	1	
584	42747H	Planet W/Sprag, KM177-8 (No Groove On Short Gears) 1989-Up	1	
584	42747J	Planet W/Sprag, KM177-8/W4A32 (With 1 Groove On Short Gears) 1989-Up	1	
584	42747HA	Planet W/Sprag, KM171-5 1989-Up	1	



**KM170-177/F4A33/W4A32/W4A33/A4AF1/A4AF2/A4BF1/A4AF3/A4BF2**

584	42747D	Planet W/Sprag, KM176-5/A4AF 1989-Up	1	
584	41747N	Planet W/Sprag, F4A33/W4A33 1990-Up	1	
584	42747CA	Planet W/Sprag, KM172-5 1989-Up	1	
594	42713	Ring Gear, All KM (Except F4A33/W4A33) Annulus (74 Teeth)(22 Outer Lugs)(5 1/4"OD)	1	
594	41713N	Ring Gear, F4A33/W4A33 Annulus (5 7/8"OD) 1990-Up	1	
604	TBA	Hub, A4AF3 Annulus Gr (2.550" Overall Hgt)(3/4" Spline) (Uses Nut To Hold On The Gear)	1	
604	TBA	Hub, A4BF1/A4BF2 Annulus Gr (2.940" Overall Hgt)(1 1/8" Spline)(Snap Rg To Hold On Gr)	1	
605	TBA	Hub, KM171 Annulus With 22 Teeth Gear & Ball Bearings 1983-88	1	
605	TBA	Hub, KM175 Annulus With 20 Teeth Gear & Ball Bearings 1985-89	1	
605	TBA	Hub, KM172 Annulus With 20 Teeth Gear & Ball Bearings 1983-88	1	
605	TBA	Hub, KM175-5/KM176-5 Annulus With 24 Teeth Gear & Ball Bearings (No Groove) 1988-Up	1	
605	TBA	Hub, KM175-5/KM176-5 Annulus With 24 Teeth Gear & Ball Bearings (1 Groove) 1988-Up	1	
605	TBA	Hub, KM175-5/KM176-5 Annulus With 24 Teeth Gear & Ball Bearings (2 Groove) 1988-Up	1	
605	TBA	Hub, KM177-8 Annulus With 24 Teeth Gear & Ball Bearings (No Groove) 1989-Up	1	
605	TBA	Hub, KM177-8 Annulus With 24 Teeth Gear & Ball Bearings (1 Groove) 1989-Up	1	
605	TBA	Hub, KM171-5 Annulus With 24 Teeth Gear & Ball Bearings 1989-Up	1	
605	TBA	Hub, A4AF1 Annulus With 58 Teeth Gear & Ball Bearings 1991-Up	1	
605	TBA	Hub, A4AF3 (No Longer Available) Use 42604LB & 42710LB	1	
605	TBA	Hub, A4BF1/A4BF2 (No Longer Available) Use 42604LC & 42710LC	1	
605	TBA	Hub, F4A33 Annulus With 35 Teeth Gear (3.680"OD) And Ball Bearings 1990-Up	1	
605	TBA	Hub, F4A33/W4A32/W4A33 Annulus With 35T Gear (3.705"OD) And Ball Brngs, 1990-Up	1	
605	TBA	Hub, KM172-5 Annulus With 23 Teeth Gear & Ball Bearings 1989-Up	1	
	42746	Sun Gear KM, Forward **Specify Height & Tooth Count**		
612	TBA	Sun Gear, KM171 Forward (26 Teeth) 3.780" Long 1983-88	1	
612	42746A	Sun Gear, KM175 Forward (26 Teeth) 3.195" Long (1.020"OD Of Shaft) 1985-89	1	
612	42746B	Sun Gear, KM175 Forward (29 Teeth) 3.195" Long (1.020"OD Of Shaft) 1985-89	1	
612	TBA	Sun Gear, KM172 Forward (26 Teeth) 3.930" Long 1983-88	1	MD-715285
612	TBA	Sun Gear, KM172 Forward (29 Teeth) 3.760" Long 1983-88	1	
612	TBA	Sun Gr, KM175-5 Fwd (26T) 3.195" Long (1.095"OD Shaft) 1.610"OD Gr, No Groove, 1988-	1	MD-758066
612	TBA	Sun Gr, KM175-5 Fwd (26T) 3.195" Long (1.095"OD Shaft) 1.610"OD Gr, 1-Groove, 1988-	1	
612	TBA	Sun Gr, KM175-5 Fwd (26T) 3.195" Long (1.095"OD Shaft) 1.775"OD Gr, 1-Groove, 1988-	1	
612	TBA	Sun Gear, KM177-8 Forward (29 Teeth) 3.195" Long (No Groove) 1989-Up	1	
612	TBA	Sun Gear, KM177-8/W4A32 Forward (29 Teeth) 3.195" Long (1 Groove) 1989-Up	1	
612	TBA	Sun Gear, KM171-5 Forward (26 Teeth) 3.740" Long 1989-Up	1	MD-758035
612	TBA	Sun Gear, KM176-5 Forward (26 Teeth) 3.010" Long 1989-Up	1	MD-758038
612	TBA	Sun Gear, A4AF3 Forward (26 Teeth)(3.040" Long)	1	
612	TBA	Sun Gear, A4BF1/A4BF2 Forward (29 Teeth)(1 Groove)(3.222" Long)	1	
612	TBA	Sun Gear, F4A33/W4A33 Forward (29 Teeth) 3.435" Long 1990-Up	1	
612	TBA	Sun Gear, KM172-8 Forward (26 Teeth) 3.925" Long 1989-Up	1	
	42748	Sun Gear KM, Reverse **Specify Height & Tooth Count**	1	
614	TBA	Sun Gear, KM171 Reverse (34 Teeth) 2.075" Long (No Groove) 1983-88	1	
614	TBA	Sun Gear, KM175 Reverse (34 Teeth) 2.275" Long (2 Grooves) With Snap Ring 1985-88	1	

**KM170-177/F4A33/W4A32/W4A33/A4AF1/A4AF2/A4BF1/A4AF3/A4BF2**

614	TBA	Sun Gear, KM175 Reverse (34 Teeth) 2.275" Long (No Grooves) With Snap Ring 1985-88	1	MD-712766
614	TBA	Sun Gear, KM172 Reverse (34 Teeth) 2.075" Long 1983-88	1	
614	TBA	Sun Gr, KM175-5 Rev (34T) 2.265" Long (No Groove) Uses 1 Snap & 1 Sealing Ring, 1988-	1	MD-758068
614	TBA	Sun Gear, KM175-5/A4BF1/A4BF2 Reverse (34 Teeth) 2.265" Long (1 Groove In Middle)	1	
		Takes 1 Snap Ring And 1 Sealing Ring 1988-Up		
614	TBA	Sun Gr, KM177-8 Rev (34T) 2.265" (1 Groove At Edge) Uses 1 Snap & 1 Seal Ring, 1989-	1	MD-722185
614	TBA	Sun Gr, KM177-8 Rev (34T) 2.265" Long (No Groove) Uses 1 Snap & 1 Sealing Ring, 1989-	1	
614	TBA	Sun Gear, KM171-5/KM176-5/A4AF1/A4AF3 Reverse (34 Teeth) 2.080" Long (Takes	1	MD-758040
		1 Snap Ring And 1 Sealing Ring 1989-Up		
614	TBA	Sun Gear, F4A33/W4A33 Reverse (34 Teeth) 2.305" Long (Takes 1 Sealing Ring) 1990-Up	1	MD-735060
614	TBA	Sun Gear, KM172-5 Rev (34T) 2.265" Long (Takes 1 Snap Ring & 1 Sealing Ring) 1989-Up	1	
622	42734B	Shell, KM171 (Kickdown Drum) 1983-88	1	
622	42734D	Shell, KM172/KM175/KM177 (Kickdown Drum) 1983-89	1	
622	42734C	Shell, KM172-5/KM175-5/KM177-8/A4BF1/A4BF2/F4A32/W4A32 (3 7/8" Overall Hgt. 89-Up	1	
622	42734G	Shell, KM171-5/KM176-5/A4AF1/A4AF3 (3 1/2" Overall Height) 1989-Up	1	
622	41800	Shell, F4A33/W4A33 (4 1/8" Overall Height) 1990-Up	1	
622	41800A	Shell / Kickdown Drum, A4BF1, A4BF3, 1996-Up	1	
630	42797A	Center Support, KM171/KM172 Some (Alum) 2.080" Wide (24T Steels) 1 Bsh, 1983-88	1	
630	42797D	Center Support, KM175/KM172 Some (Alum) 2.275" Wide (24T Steels) 2 Bsh, 1983-89	1	
630	42797C	Center Support, KM172-5/175-5/177-8/A4BF1/2/W4A32 (Steel)(1.585" Thick, 1988-Up	1	
630	41797	Center Support, KM171-5/176-5/A4AF1/3 (Steel)(1.460" Overall Thickness) 1989-Up	1	
630	41797A	Center Support, F4A33/W4A33 (Steel 1.535" Overall Thickness) 1990-Up	1	
		<b>SPRAGS &amp; ONE WAY CLUTCHES</b>		
654	42779	Sprag, KM170/KM171 Low/Reverse (26 Lug) Narrow 1983-88	1	MD-73185
654	77725	Sprag, KM172/KM175/KM171-5/KM172-5/KM175-5/KM176-5/KM177-8/A4AF/W4A32	1	
		Low/Reverse (26 Lug) Wide 1983-Up	1	
658	77725	Sprag, KM172/175/171-5/172-5/175-5/177-8/A4AF1/A4BF1/A4BF2/W4A33	1	
		Low/Reverse (26 Lug)(.700"Thick) 1983-Up		
654	42779A	Sprag, KM176-5/A4AF3 Low/Reverse (26 Lugs)(.622"Thick)	1	
654	41725	Sprag, F4A33/W4A33 Low/Reverse (28 Lug) 1990-Up	1	
		<b>HARD PARTS (Continued)</b>		
670	TBA	Input Shaft, KM171/KM172/KM171-5/KM172-5 (Sold With Forward Drum)	1	
670	TBA	Input Shaft, KM175 (14 3/4" Long) 3 Ring (24 Spline) 1985-89	1	
670	TBA	Input Shaft, KM175 (14 15/16" Long) 3 Ring (24 Spline) 1985-89	1	
670	TBA	Input Shaft, KM175-5/A4BF1 (15 1/8" Long) 3 Ring (11/16"OD Of Rear Pilot) 1988-Up	1	
670	TBA	Input Shaft, KM175-5/W4A32 (15 1/8" Long) 3 Ring (1/2"OD Rear Pilot) 1988-Up	1	
670	TBA	Input Shaft, KM175-5/Some 177-8 (15 7/16" Long) 3 Ring (1/2"OD Rear Pilot) 1988-Up	1	
670	TBA	Input Shaft, KM177-8 (15 7/16" Long) 1 Ring (11/16"OD Rear Pilot) 1989-Up	1	
670	TBA	Input Shaft, KM176-5/A4AF1 (14 1/2" Long) 3 Ring (11/16"OD Rear Pilot) 1990-Up	1	
		With 1 O-Ring On Shaft Under Drum)		
670	TBA	Input Shaft, A4AF3 (14 1/2" Long) 3 Ring (11/16"OD Rear Pilot) 1990-Up (With 2 O-Rings	1	
		On Shaft Under Drum)		

**KM170-177/F4A33/W4A32/W4A33/A4AF1/A4AF2/A4BF1/A4AF3/A4BF2**

670	TBA	Input Shaft, A4BF2 (15 1/8" Long) 3 Ring (11/16"OD Rear Pilot) 1990-Up (With 2 O-Rings On Shaft Under Drum)	1	
670	TBA	Input Shaft, F4A33/W4A33 (16 11/16" Long) 3 Ring 1990-Up	1	
670	TBA	Input Shaft, F4A33/W4A33 (16 1/16" Long) 1 Ring 1990-Up	1	
670	TBA	Input Shaft, F4A33/W4A33 (16 5/8" Long) 3 Ring (.670"OD Rear Pilot) 1990-Up	1	
670	TBA	Input Shaft, F4A33/W4A33 (16 5/8" Long) 3 Ring (.510"OD Rear Pilot) 1990-Up	1	
670	TBA	Input Shaft, KM177 (1 Ring) 1987-88	1	
675	42983	Shaft, KM175 Overdrive (26 Spline) 3.060" Long 1985-89	1	
675	42983A	Shaft, KM175-5/KM176-5/A4AF1/A4AF3/W4A32 Overdrive (27 Spline)(3.065" Long)88-Up	1	
675	42983B	Shaft, KM177-8 OD (27 Spline) 3.340" Long (Splines On OD End Are 3/4" Long) 1989-Up	1	
675	41983G	Shaft, A4BF1/A4BF2 Overdrive (27 Spline) 2.914" Long	1	
675	41983N	Shaft, F4A33/W4A33 OD (27 Spline) 3.340" Long (Splines On OD End 15/16" Long) 90-Up	1	
677	TBA	Output Shaft, W4A32/W4A33 Rear (15 1/2" Long) 1990-Up	1	
679	TBA	Idler Shaft, KM171/KM171-5/KM175-5/KM176-5 (1.175"OD) 2.740" Long 1983-Up	1	
679	TBA	Idler Shaft, KM172/KM175 (1.375"OD) 1983-89	1	
679	TBA	Idler Shaft, KM177-8 (1.175"OD) 3.085" Long 1989-Up	1	
679	TBA	Idler Shaft, F4A33/W4A33 (1.175"OD) 3.110" Long 1990-Up	1	
679	TBA	Idler Shaft, KM172-5/W4A32 (1.175"OD) 2.725" Long 1989-Up	1	
680	TBA	Governor, KM171/KM171-5/KM172-5 With Valve (1.095"OD Of Weight) 1983-Up	1	
680	TBA	Governor, KM172 With Valve (1.295"OD Of Weight) 1983-88	1	
686	TBA	Cover, KM171/KM172/KM175 Pinion Shaft (Tin) 3.130"OD 1983-89	1	
686	TBA	Cover, KM171-5/KM172-5/KM175-5/KM176-5/KM177-8 Pinion Shaft (Tin) 3.330"OD 88-Up	1	
687	TBA	Bracket, KM171/KM172/KM175 For Pinion Shaft Cover	1	
687	TBA	Bracket, Km171-5/KM172-5/KM175-5/KM176-5/KM177-8 For Pinion Shaft Cover	1	
691	TBA	Cover, KM171/KM171-5 Output Gear (Aluminum)	1	
691	TBA	Cover, KM172 Output Gear (Cast Iron)	1	
692	TBA	Plate, KM175 Overdrive Adapter (3 Bolt) 1985-89	1	
692	TBA	Plate, KM175-5/KM176-5/KM177-8 Overdrive Adapter (4 Bolt) 1988-Up	1	
692	TBA	Plate, A4AF1/A4BF1/A4BF2 Overdrive Adapter (5 Bolt)(.225" Thick) 1991-Up	1	
692	TBA	Plate, A4AF3 Overdrive Adapter (4 Bolt)(4.109"OD)(Less Ball Bearings)	1	
692	TBA	Plate, F4A33/W4A32/W4A33 Overdrive Adapter (5 Bolt)(.275" Thick) 1990-Up	1	
693	TBA	Bracket, KM171/KM171-5/KM175-5/KM176-5 Holds Idler Shaft	1	
693	TBA	Bracket, KM172/KM175 Holds Idler Shaft	1	
693	TBA	Bracket, KM177-8 Holds Idler Shaft	1	
693	TBA	Bracket, KM172-8 Holds Idler Shaft	1	
710	42799	Gear, KM Transfer Drive *Specify Trans Model, Tooth Count, # Of ID Grooves & Thickness*	1	
712	42799	Gear, KM Transfer Driven *Specify Trans Model, Tooth Count, # Of ID Grooves & Thickness*	1	
712	TBA	Gear, A4AF1 Driven Transfer (60 Teeth)(No Groove) 1991-Up	1	
712	TBA	Gear, A4AF3 Driven Transfer (55 Teeth)(1 Groove)	1	
712	TBA	Gear, A4BF1/A4BF2 Driven Transfer (55 Teeth)(No Groove)	1	
712	TBA	Gear, F4A33 Driven Transfer (Is Made On The Pinion #730) 1990-Up	1	

**KM170-177/F4A33/W4A32/W4A33/A4AF1/A4AF2/A4BF1/A4AF3/A4BF2**

712	TBA	Gear, W4A33 Driven Transfer (43 Teeth) 1 Groove (1.100" Thick) 1990-Up	1	
712	TBA	Gear, W4A32 Driven Transfer (43 Teeth) 1 Groove (.860" Thick) 1991-Up	1	
714	42799	Gear, KM Idler Gear *Specify Trans Model, Tooth Count, # Of ID Grooves & Thickness*	1	
715	42792	Differential, KM171 (57 Teeth Ring Gear) 19 Teeth Speed-O Gear	1	
715	42792A	Differential, KM171 (57 Teeth Ring Gear) 36 Teeth Speed-O Gear (.925" Thick Ring Gear)	1	
715	42792D	Differential, KM172/KM175 (51 Teeth Ring Gear) 19 Teeth Speed-O Gear	1	
715	TBA	Differential, KM172/KM175 (51 Teeth Ring Gear) 36 Teeth Speed-O Gear	1	
715	TBA	Diff, KM172/KM175 (52T Ring Gear) 1.125" Thick Gear (1 Groove, 36T Speed-O Gear	1	
715	42792C	Differential, KM175-5 (57 Teeth) 1.355" Thick Gear (1 Groove Gear) 36T Speed-O Gear	1	
715	TBA	Differential, KM175-5 (57 Teeth) 1.355" Thick Gear (2 Groove Gear) 36T Speed-O Gear	1	
715	TBA	Differential, KM175-5 (57 Teeth) 1.125" Thick Gear (1 Groove Gear) 36T Speed-O Gear	1	
715	TBA	Differential, KM175-5 (57 Teeth) 1.100" Thick Gear (1 Groove Gear) 36T Speed-O Gear	1	
715	TBA	Differential, KM175-5 (58 Teeth) 1.352" Thick Gear (2 Groove Gear) 36T Speed-O Gear	1	
715	42792E	Differential, KM177-8 (56 Teeth) 1.365" Thick Gear (1 Groove Gear) 36T Speed-O Gear	1	
715	TBA	Differential, KM177-8 (52 Teeth) 1.352" Thick Gear (2 Groove Gear) 36T Speed-O Gear	1	
715	TBA	Differential, KM177-8 (58 Teeth) 1.486" Thick Gear (3 Groove Gear) 36T Speed-O Gear	1	
715	42792B	Differential, KM171-5/KM176-5 (64 Teeth) .925" Thick Gear (No Groove Gear)	1	
715	TBA	Differential, KM176-5 (66 Teeth) .925" Thick Gear (1 Groove Gear)	1	
715	TBA	Differential, KM176-5 (65 Teeth) .925" Thick Gear (1 Groove Gear)	1	
715	TBA	Differential, A4AF3 (74 Teeth Ring Gear)(1.127" Thick)(No Groove)(36T Speed-O Gear)	1	
715	TBA	Differential, A4AF1 (74 Teeth Ring Gear)(1.127" Thick)(2 Groove)(36T Speed-O Gear)	1	
715	TBA	Differential, A4AF1 (74 Teeth Ring Gear)(1.127" Thick)(1 Groove)(36T Speed-O Gear)	1	
715	TBA	Differential, A4AF2 (67 Teeth Ring Gear)(1.205" Thick)(No Groove)(36T Speed-O Gear)	1	
715	TBA	Differential, A4AF2 (67 Teeth Ring Gear)(1.205" Thick)(2 Groove)(36T Speed-O Gear)	1	
715	TBA	Differential, A4BF1 (69 Teeth Ring Gear)(1.205" Thick)(1 Groove)(36T Speed-O Gear)	1	
715	TBA	Differential, F4A33 (58 Teeth) 3 Groove (1.110"ID Axle Housing) Cone Bearings	1	
715	TBA	Differential, F4A33 (57 Teeth) No Groove	1	
715	TBA	Differential, F4A33 (57 Teeth) 2 Groove (1.110"ID Axle Housing) Cone Bearings	1	
715	TBA	Differential, F4A33 (58 Teeth) 3 Groove (1.041"ID Axle Housing) Cone Bearings	1	
715	TBA	Differential, F4A33 (58 Teeth Ring Gear) 2 Grooves	1	
715	TBA	Differential, W4A32/W4A33 (72 Teeth Ring Gear) 1 Groove	1	
715	TBA	Differential, W4A32/W4A33 (72 Teeth) 2 Groove (1.040"ID Axle Housing) Ball Bearings	1	
715	TBA	Differential, KM172-5 (56 Teeth) 1.125" Thick (No Groove Gear) 36 Teeth Speed-O Gear	1	
718	42791	Center Differential Assembly, W4A32/W4A33 (8 Bolt) 1990-Up	1	
719	TBA	Viscous Coupling Unit, W4A32/W4A33 (4 1/4"OD) With 2 Splines	1	
725	TBA	Retainer, A4AF1 Differential (5 Bolt) Aluminum (3.850"OD Where The O-Ring Sets)	1	
725	TBA	Retainer, A4AF3/A4BF1/A4BF2 Diff (5 Bolt) Aluminum (4.090"OD Where The O-Ring Sits)	1	
725	TBA	Retainer, F4A33/W4A32/W4A33 Differential (4 Bolt) Cast Iron	1	
726	TBA	Retainer, A4AF3/A4BF1/A4BF2 Differential Cup (2 Bolt)(Aluminum)	1	
726	TBA	Retainer, F4A33/W4A32/W4A33 Differential Cup (2 Bolt)(Aluminum)	1	
728	TBA	Retainer, W4A32/W4A33 Center Differential (Aluminum) 1990-Up	1	



**KM170-177/F4A33/W4A32/W4A33/A4AF1/A4AF2/A4BF1/A4AF3/A4BF2**

730	42795	Pinion, KM171 (18 Teeth) Governor Type With Bearing On End Of Shaft 1983-88	1	
730	TBA	Pinion, KM175 (16 Teeth) With Bearing On End Of Shaft 1985-89	1	
730	TBA	Pinion, KM172 (16 Teeth) Governor Type With Bearing On End Of Shaft 1983-88	1	
730	TBA	Pinion, KM175-5 (16T) 1 Groove Next To Pilot (1.170" Thick Gr) Bearing On Middle Of Shaft	1	
730	TBA	Pinion, KM175-5 (16T) 1 Groove Next To Pilot (1.400" Thick Gr) Bearing On Middle Of Shaft	1	
730	TBA	Pinion, KM175-5 (16T) 1 Groove Next To Brng (1.170" Thick Gr) Bearing On Middle Of Shaft	1	
730	TBA	Pinion, KM175-5 (15 Teeth) No Groove (1.500" Thick Gear)	1	
730	TBA	Pinion, KM175-5 (15T) No Groove (1.432" Thick Gr) 10 1/2"(3 Groov On Shaft Next To Brng)	1	
730	TBA	Pinion, KM175-5 (15T) No Groove (1.432" Thk Gr) 10 1/2" (3 Groov On Shaft Next To Brng)	1	
730	TBA	Pinion, KM175-5 (16 Teeth) 1 Groove (1 3/8" Thick Gear) 10 1/2" Long (3 Grooves On Shaft)	1	
730	TBA	Pinion, KM175-5 (16 Teeth) 1 Groove (1 3/8" Thick Gear) 10 1/2" Long (2 Grooves On Shaft)	1	
730	TBA	Pinion, KM175-5 (15 Teeth) 1 Groove (10 1/2" Long) 3 Grooves On Shaft	1	
730	TBA	Pinion, KM175-5 (15T) No Grooves (1.580" Thick Gr) 10 1/2" Long (3 Grooves On Shaft)	1	
730	TBA	Pinion, KM177-8 (17 Teeth) 2.370"OD Of Gear 1989-Up (Bearing On Middle Of Shaft)	1	
730	TBA	Pinion, KM171-5 (20 Teeth) No Groove (Bearing On End Of Shaft) 1989-Up	1	
730	TBA	Pinion, KM171-5 (20 Teeth) 2 Grooves (Bearing On End Of Shaft) 1989-Up	1	
730	TBA	Pinion, KM176-5 (18T) 1 Groove (2.180"OD Of Gear) 1989-Up (Bearing On Middle Of Shaft)	1	
730	TBA	Pinion, KM176-5 (17T) No Groove (2.075"OD Of Gr) 1989-Up (Bearing On Middle Of Shaft)	1	
730	TBA	Pinion, KM176-5 (17T) 1 Groove (2.075"OD Of Gr) 1989-Up (Bearing On Middle Of Shaft)	1	
730	TBA	Pinion, KM176-5 (16T) 1 Groove (2.235"OD Of Gear) 1989-Up (Bearing On Middle Of Shaft)	1	
730	TBA	Pinion, KM176-5 (18T) 2 Groove (2.180"OD Of Gr) 1989-Up (Bearing On Middle Of Shaft)	1	
730	TBA	Pinion, KM176-5 (18 Teeth) No Groove (2.250"OD Of Gear) 1989-Up	1	
730	TBA	Pinion, A4AF1, 9-1/2" Long, (21T)(2.430"OD)(No Groove) Bearing On Middle Of Shaft	1	
730	TBA	Pinion, A4AF3 (19 Teeth Gear)(No Groove)(1 ID Groove On Shaft)(9 3/4" Long)	1	
730	TBA	Pinion, A4AF2, 10" Long, (19T)(2.475"OD)(No Groove) Bearing On Middle Of Shaft	1	
730	TBA	Pinion, A4BF1 (18 Teeth)(No Groove)(1 ID Groove In Middle Of Shaft)(10" Long)	1	
730	TBA	Pinion, A4BF2 (16 Teeth)(No Groove)(10 1/4" Long)	1	
730	TBA	Pinion, F4A33 (16 Teeth) With 43 Teeth Transfer Gear 1990-Up	1	
730	TBA	Pinion, F4A33 (18 Teeth) 3 Groove (With 43 Teeth Transfer Gear) 1990-Up	1	
730	TBA	Pinion, F4A33 (18 Teeth) 2 Groove (With 43 Teeth Transfer Gear) 1990-Up	1	
730	TBA	Pinion, F4A33 (20 Teeth) With 43 Teeth Transfer Gear 1990-Up	1	
730	TBA	Pinion, W4A32/W4A33 (20 Teeth) 1 Groove On Edge (7 1/4" Long) 1990-Up	1	
730	TBA	Pinion, W4A33 (20 Teeth) 1 Groove In Center (7 1/4" Long) 1990-Up	1	
730	TBA	Pinion, KM172-5 (17 Teeth) Governor Type (With Bearing On End) 1989-Up	1	
734	TBA	Retainer, W4A32/W4A33 Pinion (Aluminum) 3 Bolt 1990-Up	1	
735	TBA	Retainer, F4A33 Driven Transfer Gear (2.955"ID) 1990-Up (Without Oil Shield)	1	
735	TBA	Retainer, F4A33 Driven Transfer Gear (3.030"ID) 1990-Up (Without Tin Oil Shield)	1	
735	TBA	Retainer, W4A33 Driven Transfer Gear (2.955"ID) 1990-Up (With Tin Oil Shield)	1	
735	TBA	Retainer, W4A32/W4A33 Driven Transfer Gear (2.955"ID) 1990-Up (With Tin Oil Shield)	1	
		Machined O-Ring Area Is 13/16" Wide	1	
		<b>VALVE BODIES (DACCO VB#)</b>		

**KM170-177/F4A33/W4A32/W4A33/A4AF1/A4AF2/A4BF1/A4AF3/A4BF2**

740	MH-6401	Valve Body, KM 3-OHM Long Tail, Solid		
740	MH-6402	Valve Body, KM 14-OHM Long Tail, Black		
740	MH-6403	Valve Body, KM 3-OHM Short Tail		
		<b>VALVE BODIES</b>		
740	42754	Valve Body, KM170 1980-84		
740	42754A	Valve Body, KM170-1 1981-Up		
740	42754B	Valve Body, KM171 (1 Solenoid) Round Connector (Cast # 3A/T3 Filter Side)	1	
740	42754BA	Valve Body, KM171 (1 Solenoid) Square Connector Z(Cast # H-172-2)	1	
740	42754C	Valve Body, KM175 (4 Solenoid) Round Connector (Cast # 175 Filter Side)	1	
740	42754D	Valve Body, KM172 (1 Solenoid) Round Connector (Cast # 3A/T1 Filter Side)	1	
740	42754CA	Valve Body, KM175-5 (4 Solenoid) Square Connector (Cast # 177 Filter Side)	1	
740	42754CB	Valve Body, KM175-5 (4 Solenoid) Square Connector (Cast # 3A32 Filter Side)	1	
740	42754CC	Valve Body, KM175-5/A4AF (4 Solenoid) Square Conn (Cast # 4A3) Long Wire Harn	1	
740	42754CD	Valve Body, KM175-5/A4AF (4 Solenoid) Square Conn (Cast # DOHC 8) Long Wire Harn	1	
740	42754E	Valve Body, KM177-8 (3 Solenoid) Square Connector (Cast # 4AT1A Filter Side)	1	
740	42754BB	Valve Body, KM171-5 (1 Solenoid) Square Connector (Cast # 3A/T3 Filter Side)	1	
740	42754CE	Valve Body, KM176-5 (4 Solenoid) Square Conn (Cast # 4AT Filter Side) 14" Wire Harn	1	
740	42754CF	Valve Body, KM176-5 (4 Solenoid) Square Conn(Cast # 4AT Filter Side) 27" Wire Harn	1	
740	41750	Valve Body, A4AF1 (4 Solenoid) Square Connector (Cast # A4AF1 Filter Side)	1	
740	41750G	Valve Body, A4AF (4 Solenoid) Square Connector (Cast # X-3 Filter Side)	1	
740	41750GA	Valve Body, A4BF1/A4BF2 (4 Solenoid) Square Connector (Cast # A4AF2 Filter Side)	1	
740	41750GB	Valve Body, A4AF3 (6 Solenoid) (Cast # A4AF3 On Both Sides)	1	
740	41750GC	Valve Body, A4AF (4 Solenoid) Square Connector (Cast # V-6 #3 Filter Side)	1	
740	41750N	Valve Body, F4A33 (3 Solenoid) Square Connector (Cast # 4A31 Filter Side)	1	
740	41750NA	Valve Body, F4A33 (4 Solenoid) Square Connector (Cast # 4A33 Filter Side)	1	
740	41750NB	Valve Body, W4A33 (3 Solenoid) Square Connector (Cast # 4A33 Filter Side)	1	
740	41750NC	Valve Body, W4A332 (4 Solenoid) Square Connector (Cast # 4A36 Filter Side)	1	
740	42754DA	Valve Body, KM172-5 (1 Solenoid) Square Connector (Cast # 3A/T6 Filter Side)	1	
		<b>VALVE BODY COMPONENTS</b>		
741	41750-03	Manual Valve, KM Series Increases Converter Charge Pressure (Sonnax)	1	41750-03
		<b>HARDPARTS (Continued)</b>		
	42703	Bell Housing, KM170-177 **Specify Model**		
750	TBA	Bell Housing, KM171 (14 Bolt) 4 Dowels To Case (.870"ID Speed-O Hole) 1983-88	1	
750	TBA	Bell Housing, KM171 (14 Bolt) 4 Dowels To Case (1.100"ID Speed-O Hole) 1983-88	1	
750	TBA	Bell Housing, KM175/KM172-5/KM175-5 (14 Bolt) 4 Dowels To Case (1.100"ID Speed-O Hole, Cast # KM175-5 1985-Up (Uses Aluminum Spacer)	1	
750	TBA	Bell Housing, KM172 (13 Bolt) 4 Dowels To Case (.870"ID Speed-O Hole) 1983-88	1	
750	TBA	Bell Housing, KM172 (14 Bolt) 4 Dowels To Case (.870"ID Speed-O Hole) 1983-88	1	
750	TBA	Bell Housing, KM172 (14 Bolt) 4 Dowels To Case (1.100"ID Speed-O Hole) 1983-88	1	
750	TBA	Bell Housing, KM175-5 (14 Bolt) 4 Dowels To Case (.870"ID Speed-O Hole) Cast # F4A22 (Double Starter Location) 1989-Up	1	
750	TBA	Bell Housing, KM175-5 (14 Bolt) 4 Dowels To Case (1.100"ID Speed-O Hole) Cast # F4A22	1	

**KM170-177/F4A33/W4A32/W4A33/A4AF1/A4AF2/A4BF1/A4AF3/A4BF2**

		(Double Starter Location) 1989-Up	
750	TBA	Bell Housing, KM177-8 (14 Bolt) 4 Dowels To Case (1.100"ID Speed-O Hole) Cast # 177	1
		(Uses An Aluminum Spacer Under Pump)	
750	TBA	Bell Housing, KM171-5 (14 Bolt) 4 Dowels To Case (1.100"ID Speed-O Hole)	1
		Cast # KM170-1 1989-Up	
750	TBA	Bell Housing, KM171-5 (14 Bolt) 4 Dowels To Case (1.100"ID Speed-O Hole) Cast #F4A21	1
		(Double Starter Location) 1989-Up	
750	TBA	Bell Hsg, KM176-5 (14 Bolt) 4 Dowels To Case (1.1"ID Speed-O Hole) Cast # KM171, 89-Up	1
757	TBA	Idler Cover, F4A33/W4A33 (6 Bolt) Tin 1990-Up	1
758	41704N	Differential Cover, F4A33 (A4AF-1) 13 Bolt (Tin) 1991-Up	1
758	41704NA	Differential Cover, A4AF3/A4BF1/A4BF2 (13 Bolt)(Aluminum)	1
758	41704NB	Differential Cover, F4A33/W4A33 (12 Bolt) Tin 1990-Up	1
758	41704NC	Differential Cover, F4A33 (12 Bolt) Aluminum 1990-Up	1
	42701	Case, KM170-177 **Specfy Model**	
760	TBA	Case, KM171 (14 Bolt) 4 Dowels To Bell (Cast # 171) Non Vented (12 Pan Bolts, But Case	1
		Has 13 Holes) 1983-88	
760	TBA	Case, KM171 (14 Bolt) 4 Dowels To Bell (Cast # 171) Vented Case (12 Pan Bolts, But	1
		The Case Has 13 Holes) 1983-88	
760	TBA	Case, KM175 (14 Bolts) 4 Dowels To Bell (Cast # 175) Non Vented Case (12 Pan Bolts,	1
		But The Case Has 13 Holes) 1985-89	
760	TBA	Case, KM175 (14 Bolt) 4 Dowels To Bell (Cast # 175) Vented Case (12 Pan Bolts, But	1
		The Case Has 13 Holes) 1985-89	
760	TBA	Case, KM172 (13 Bolt) 4 Dowels To Bell (Cast # 175) Non Vented Case (12 Pan Bolts, But	1
		The Case Has 13 Holes) 1983-88	
760	TBA	Case, KM172 (13 Bolt) 4 Dowels To Bell (Cast # 175) Vented Case (12 Pan Bolts, But	1
		The Case Has 13 Holes) 1983-88	
760	TBA	Case, KM172 (14 Bolt) 4 Dowels To Bell (Cast # 175) Non Vented Case (12 Pan Bolts, But	1
		The Case Has 13 Holes) 1983-88	
760	TBA	Case, KM172 (14 Bolt) 4 Dowels To Bell (Cast # 175) Vented Case (12 Pan Bolts, But	1
		The Case Has 13 Holes) 1983-88	
760	TBA	Case, KM175-5 (14 Bolt) 4 Dowels To Bell (Cast # S-KM175) 12 Pan Bolts, But The	1
		Case Has 13 Holes 1988-Up	
760	TBA	Case, KM175-5 (14 Bolt) 4 Dowels To Case (Cast # F4A22) 12 Pan Bolts, But The	1
		Case Has 13 Holes (Double Starter) 1988-Up	
760	TBA	Case, KM177-8 (14 Bolt) 4 Dowels To Bell (Cast # 177) 13 Pan Bolts 1989-Up	1
760	TBA	Case, KM177-8 (14 Bolt) 4 Dowels To Bell (Cast # F4A23) 13 Pan Bolts 1989-Up	1
760	TBA	Case, KM171-5 (14 Bolt) 4 Dowels To Bell (Cast # S-KM171) 12 Pan Bolts, But The Case	1
		Has 13 Holes 1989-Up	
760	TBA	Case, KM171-5 (14 Bolt) 4 Dowels To Case (Cast # F3A21-S) 12 Pan Bolts, But The	1
		Case Has 13 Holes 1989-Up	
760	TBA	Case, KM176-5 (14 Bolt) 4 Dowels To Bell (Cast # KM176) 12 Pan Bolts 1989-Up	1

**KM170-177/F4A33/W4A32/W4A33/A4AF1/A4AF2/A4BF1/A4AF3/A4BF2**

	41170	Case, F4A33, A4AF, AFBF **Specify Model**	1
760	TBA	Case, A4AF1 (4 3/8" Top Bolts) 2WD (Cast # A4AF1) 1991-Up	1
760	TBA	Case, A4AF (5 1/8" Top Bolts) 2WD (Cast # A4AF2) 1991-Up	1
760	TBA	Case, A4AF3 (5 1/8" Top Bolts) 2WD (Cast # A4AF3) 2000-Up (Uses 6 Solenoid VB)	1
		(13 3/4" Long Bell To Rear)	
760	TBA	Case, A4BF1 (5 1/8" Top Bolts) 2WD (Cast # A4BF) 1991-Up (Uses 4 Solenoid VB)	1
		(14 1/8" Long Bell To Rear)	
760	TBA	Case, A4BF2 (5 1/8" Top Bolts) 2WD (Cast # A4BF) 2000-Up (Uses 6 Solenoid VB)	1
		(14 1/8" Long Bell To Rear)	
760	TBA	Case, F4A33 (4 3/8" Top Bolts) 2WD (Cast # F4A33EN) 1990-Up	1
760	TBA	Case, F4A33 (3 9/16" Top Bolts) 2WD (Cast # F4A33EVS) 1990-Up (Detent For The	1
		Rooster Comb Bolts Into The Case)	
760	TBA	Case, F4A33 (3 9/16" Top bolts) 2WD (Cast # F4A33EV) 1990-Up (Detent For The	1
		Rooster Comb Is Made In The Case)	
760	TBA	Case, W4A33 (4 3/8" Top Bolts) AWD (Cast # F4A33) 1990-Up (Detent For Rooster	1
		Comb Is Made In The Case)	
760	TBA	Case, W4A33 (4 3/8" Top Bolts) 2WD (Cast # F4A33ENS) 1990-Up (Detent For The	1
		Rooster Comb Bolts Into The Case)	
760	TBA	Case, W4A33 (4 1/8" Top Bolts) AWD (Cast # W4A33) 1990-Up	1
760	TBA	Case, W4A32 (4 3/8" Top Bolts) AWD (Cast # W4A32) 1991-Up (Double Starter Location)	1
760	TBA	Case, W4A32 (4 3/8" Top Bolts) AWD (Cast # W4A32) Single Starter Location	1
760	TBA	Case, KM172-5 (14 Bolt) 4 Dowels To Bell (Cast # F3A22) 12 Pan Bolts 1989-Up	1
	42705	Housing, Overdrive Cover, KM170-177 **Specify Model**	
762	TBA	Housing, KM175 Overdrive (Cover) 3 Bolt 1985-89	1
762	TBA	Housing, KM175-5 Overdrive (Cover) 4 Bolt (Cast # S-KM175) 1988-Up	1
762	TBA	Housing, KM175-5 Overdrive (Cover) 4 Bolt (Cast # F4A22) 1989-Up (With Speed Sensor)	1
762	TBA	Housing, KM177-8 Overdrive (Cover) 4 Bolt (Cast # KM177) 1989-UP	1
762	TBA	Housing, KM177 Overdrive (Cover) 4 Bolt (Cast # F4A23) With Speed Sensor Hole	1
	41705	Housing, Overdrive Cover, F4A33, A4AF, A4BF **Specify Model**	
762	TBA	Housing, A4AF1/A4AF2 Overdrive (Cover) 4 Bolt (Round)(With Speed Sensor Hole) 91-99	1
762	TBA	Housing, A4AF3 Overdrive (Cover)(12 Bolt)(With Speed Sensor Hole) 2000-Up	1
762	TBA	Housing, F4A33/W4A32/W4A33 OD(4 Bolt) Cast # W4A32 (Uses 1.220"OD Bearing #223)	1
762	TBA	Housing, F4A33/W4A32/W4A33 OD (4 Bolt) Cast # W4A32 (Uses 1.180"OD Bearing #223)	1
764	TBA	Plate, KM175 Pump Spacer To Case (16 Hole) Aluminum 1985-89	1
764	TBA	Plate, KM172 Pump Spacer To Case (15 Hole) Aluminum 1983-89	1
764	TBA	Plate, KM175-5 Pump Spacer To Case (Aluminum) 1988-Up	1
764	TBA	Plate, KM177-8 Pump Spacer To Case (Aluminum) 1989-Up	1
765	42801	Pan, KM171/KM172/KM175 Bottom (12 Bolt) No Drain Plug 1983-89	1
765	42801A	Pan, KM171-5/KM175-5/KM176-5 Bottom (12 Bolt) With Drain Plug	1
765	42801C	Pan, KM177-8 Bottom (13 Bolt) With Side Drain Plug	1
765	42801CA	Pan, KM177-8 Bottom (13 Bolt) With Bottom Drain Plug	1



**KM170-177/F4A33/W4A32/W4A33/A4AF1/A4AF2/A4BF1/A4AF3/A4BF2**

765	41801G	Pan, A4BF1/A4BF2 Bottom (13 Bolt) With Drain Plug Facing Rear Cover 1991-Up	1	
765	41801GA	Pan, A4AF3 Bottom (13 Bolt) With Drain Plug Facing Servo Side Of Case	1	
765	41801N	Pan, F4A33/W4A32/W4A33 Bottom (14 Bolt) With Drain Plug 1990-Up	1	
765	42801B	Pan, KM172-5 Bottom (12 Bolt) With Drain Plug 1989-Up	1	
771	TBA	Spacer Plate, A4AF3 Case To Overdrive Cover (Aluminum)(12 Bolt)(1.030"Thick)	1	
774	TBA	Driven Speed-O Gear, KM171 With Housing (17 Teeth) 1983-89	1	
774	TBA	Driven Speed-O Housing, KM175/171-5/172-5/175-5/176-5/177-8, W/ Hsg, 31T, 1985-Up	1	
774	TBA	Driven Speed-O Gear, KM172 With Housing (16 Teeth) 1983-88	1	
774	TBA	Driven Speed-O Gear, A4AF1/A4AF3 With Housing (32 Teeth) 1991-Up	1	
774	TBA	Driven Speed-O Gear, A4BF1/A4BF2 With Housing (31 Teeth)	1	
774	TBA	Driven Speed-O Gear, F4A33/W4A33 With Housing (29 Teeth) 1990-Up	1	
774	TBA	Driven Speed-O Gear, W4A32 With Housing (28 Teeth) 1991-Up	1	
775	TBA	Bolt, KM Series Converter (10mm X 1.5" Thread)		AR
775	TBA	Bolt, KM Series Converter (10mm X 1.25" Thread)		AR
795	TBA	Nut, A4AF3 Holds Transfer Drive Gear To Annulus Hub # 604 (1.438"ID)	1	
796	TBA	Nut, A4AF1/A4AF3/A4BF1/A4BF2 Holds Transfer Driven Gear To The Pinion Shaft (.888"ID)	1	
857	TBA	Wave Ring, KM171/KM172/KM175 Low/Reverse (5 3/16"OD) 1983-89	1	MD-0707399
857	TBA	Wave Ring, KM171-5/KM172-5/KM175-5/KM176-5/KM177-8/A4AF1/A4AF3/A4BF1/A4BF2/W4A32 Low/Reverse (5 7/16"OD) 1988-Up	1	MD-719830
857	41620	Wave Ring, F4A33/W4A33 Low/Reverse 1990-Up	1	
858	TBA	Wave Plate, F4A33 Forward Clutch (Bottom) 7 Tab	1	
858	TBA	Wave Ring, W4A33 Forward Clutch (Bottom) No Tab	1	
	K42928A	Snap Ring Kit, KM170-177, F4A33, A4AF, A4BF Front, Rear & Overdrive Selective 1979-Up	1	59682
	K42928B	Snap Ring Kit, KM170-177, F4A33, A4A, A4B Overdrive Only 1985-Up	1	59683
861	TBA	Snap Ring, KM Overdrive Pressure Plate, Selective (Specify .040" To .080") 1985-Up	1	MD-756033
862	TBA	Snap Ring, Holds Retainer To Overdrive Drum 1985-Up	1	
862	TBA	Snap Ring, A4AF3 Holds Retainer To Overdrive Drum	1	
862	TBA	Snap Ring, F4A33/W4A33 Holds Retainer To Overdrive Drum 1990-Up	1	
863	TBA	Wire Ring, Between Snap Ring & Overdrive Retainer 1985-Up	1	
863	TBA	Wire Ring, F4A33/W4A33 Between Snap Ring & Overdrive Retainer 1990-Up	1	
	42987	Servo Assembly, KM170-177 **Specify Model**	1	
905	TBA	Servo Assembly, KM171 (2.075"OD & 3.056"OD) Aluminum Cover 1983-88	1	
905	TBA	Servo Assembly, KM175 (1.770"OD & 3.056"OD) Tin Cover 1985-89	1	
905	TBA	Servo Assembly, KM172/KM172-5 (1.955"OD & 3.056"OD) Aluminum Cover 1983-Up	1	
905	TBA	Servo Assembly, KM175-5/KM177-8 (1.872"OD & 3.252"OD) 1988-Up (Plastic Cover	1	
		With 1 Wire Made To Cover) With Triangle Connection (With Adjustable Pin)		
905	TBA	Servo Assembly, KM175-5/KM177-8 (1.872"OD & 3.252"OD) 1988-Up (Plastic Cover	1	
		With 1 Wire Made To Cover) With Round Connector (With Adjustable Pin)		
905	TBA	Servo Assembly, KM175-5/KM177-8 (1.872"OD & 3.252"OD) 1988-Up (Plastic Cover With	1	
		Connector On Cover) No Wires (With Adjustable Pin)		
905	TBA	Servo Assembly, KM171-5 (1.955"OD & 3.056"OD) Aluminum Cover 1989-Up	1	
905	TBA	Servo Assembly, KM176-5 (1.770"OD & 3.056"OD) 1989-Up (Plastic Cover	1	

**KM170-177/F4A33/W4A32/W4A33/A4AF1/A4AF2/A4BF1/A4AF3/A4BF2**

		With 1 Prong Connector On Cover) No Wires (With Adjustable Pin)		
905	TBA	Servo Assembly, KM176-5 (1.770"OD & 3.056"OD) 1989-Up (Plastic Cover With 1 Wire	1	
		Made To Cover) With Triangle Connector (With Adjustable Pin)		
	41987	Servo Assembly, F4A33, A4AF, A4BF **Specify Model**	1	
905	TBA	Servo Assembly, A4AF1/A4AF3 (1.770"OD & 3.056"OD) Plastic Cover With 1 Wire	1	
		Made To Cover (With 1 Prong Connector) Non Adjustable Pin		
905	TBA	Servo Assembly, A4BF1/A4BF2 (1.872"OD & 3.252"OD) Plastic Cover With 1 Wire	1	
		Made To Cover (With 1 Prong Connector) Non Adjustable Pin		
905	TBA	Servo Assembly, F4A33/W4A33 (2.225"OD & 3.925"OD) Plastic Cover 1990-Up	1	
905	TBA	Servo Assembly, W4A32 (2.041"OD & 3.575"OD) Plastic Cover 1991-Up	1	
960	42762E	Piston, KM175 Overdrive Clutch 1985-89	1	
960	42762EA	Piston, KM175-5/KM176-5 Overdrive Clutch 1988-Up	1	
960	41762G	Piston, KM177-8/A4BF1/A4BF2 Overdrive Clutch (Steel) 1988-Up	1	
960	41762GA	Piston, A4AF3 Overdrive Clutch (Aluminum)	1	
960	41762N	Piston, F4A33/W4A32/W4A33 Overdrive 1990-Up	1	
967	42763E	Piston, KM171 Low/Reverse Clutch 1983-88	1	
967	42763EA	Piston, KM172/KM175 Low/Reverse Clutch 1983-89	1	
967	42763EB	Piston, KM172-5/KM175-5/KM177-8/A4BF1/A4BF2/W4A32 Low/Reverse Clutch 1988-Up	1	
967	42763EC	Piston, KM171-5/KM176-5/A4AF1/A4AF3/F4A32 Low/Reverse Clutch 1989-Up	1	
967	41763N	Piston, F4A33/W4A33 Low/Reverse Clutch 1990-Up	1	
970	TBA	Spring, KM175 Overdrive Clutch Return 1985-89	1	
970	TBA	Spring, KM175-5/KM176-5 Overdrive Clutch Return 1988-Up	1	
970	TBA	Spring, KM177-8/A4BF1/A4BF2 Overdrive Clutch Return 1989-Up	1	
970	TBA	Springs W/Retainer, A4AF3 Overdrive Clutch Return (16 Springs)	1	
970	TBA	Spring, F4A33/W4A32/W4A33 Overdrive Clutch Return 1990-Up	1	
974	42419	Return Spring, KM171/KM172 Forward Clutch 1983-88	1	
974	42419B	Return Spring, KM175 Forward Clutch 1985-89	1	
974	42419C	Return Spring, KM175-5/KM176-5/KM177-8/A4AF1/A4BF1/W4A32 Forward Clutch 88-Up	1	
974	TBA	Return Spring, KM171-5/KM172-5 Forward Clutch 1989-Up	1	
974	TBA	Return Spring, A4AF3 Forward Clutch (19 Coil Springs)	1	
974	TBA	Return Spring, F4A33/W4A33 Forward Clutch 1990-Up	1	
975	TBA	Return Spring, KM171/KM172/KM175 Direct Clutch (1 Coil Spring) 1983-89	1	
975	TBA	Return Spring Set, Direct Clutch (23 Coil Springs)(2.448"ID) 1988-Up	1	
975	TBA	Return Spring Set, A4AF3 Direct Clutch (23 Coil Springs)(2.535"ID)	1	
975	TBA	Return Spring Set, F4A33/W4A33 Direct Clutch (23 Coil Springs) 1992-Up	1	
977	TBA	Cushion, F4A33/W4A33 Low/Reverse Clutch (6 3/8"OD)	1	
991	TBA	Linkage Assembly, KM175-5/KM176-5 Internal (.130" Thick Rooster Comb)	1	
991	TBA	Linkage Assembly, KM175-5/KM176-5 Internal (.175" Thick Rooster Comb)	1	
991	TBA	Linkage Assembly, KM177-8 Internal 1989-Up	1	
991	TBA	Linkage Assembly, A4AF1/A4AF3/A4BF1/A4BF2 Internal	1	