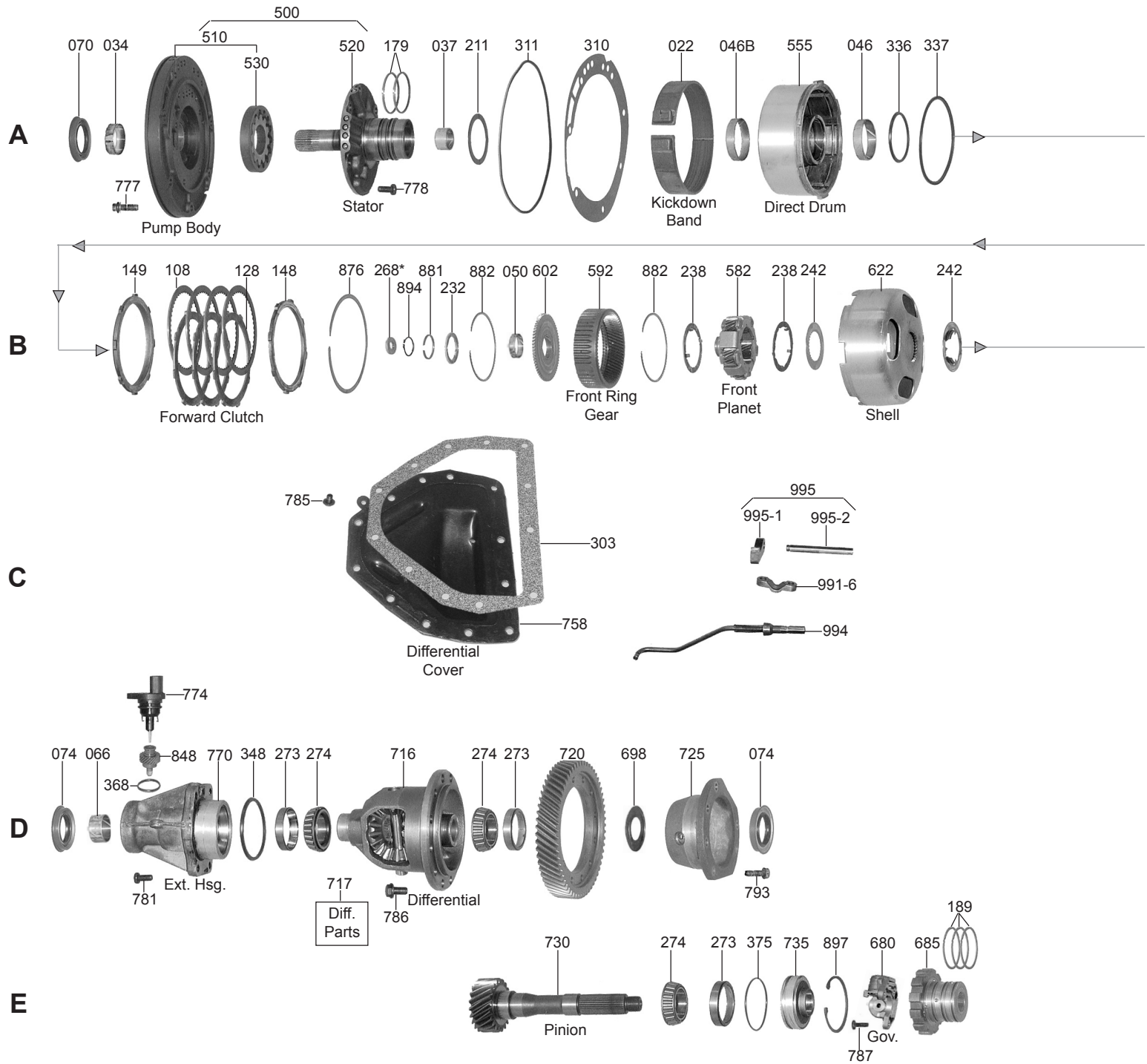
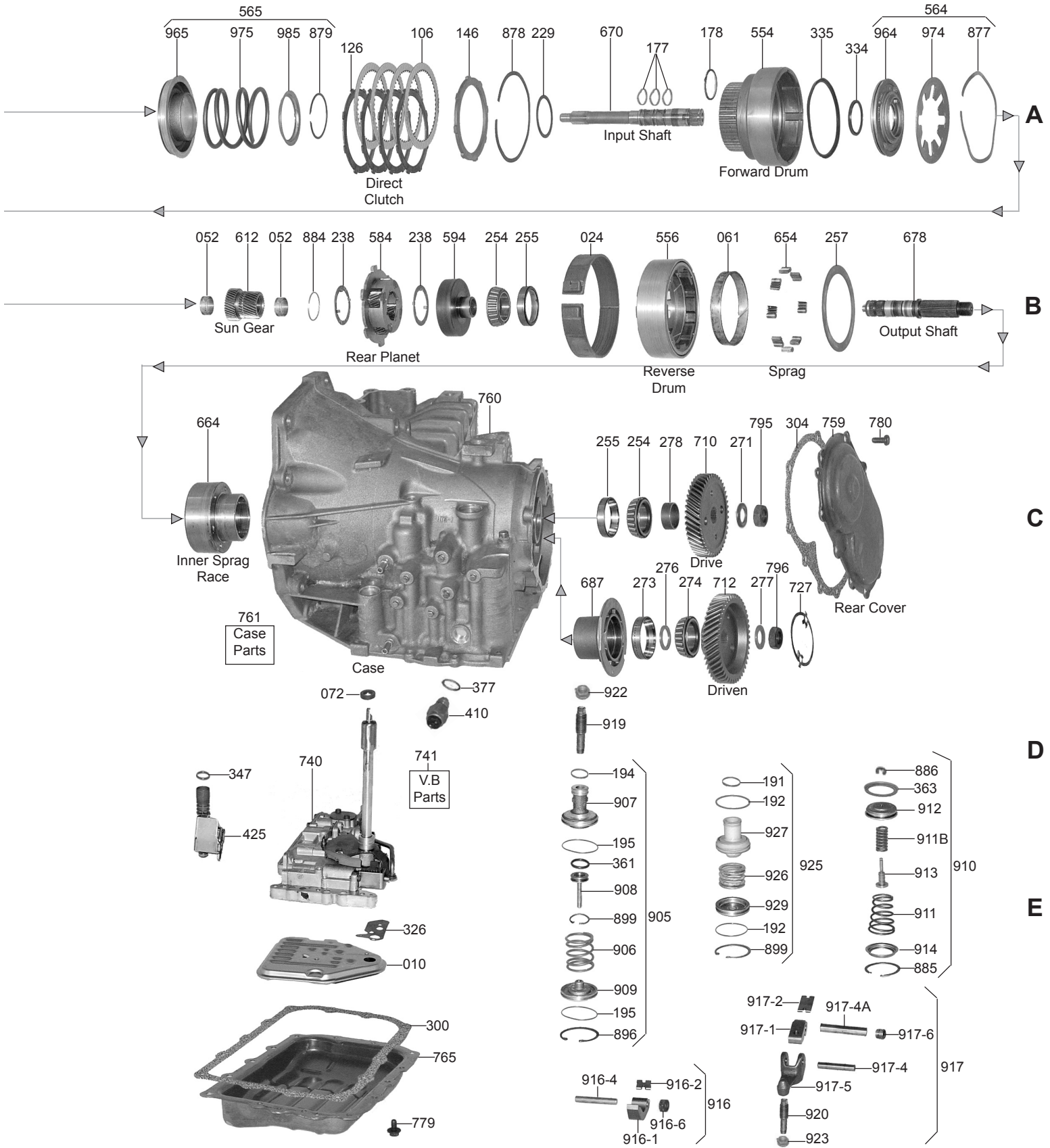


CHRYSLER



CHRYSLER



# A404 / A413 / A470 / A670



FWD 3 Speed

CHRYSLER

PART #	PAPER & RUBBER KITS	QTY	REFERENCE #
32000.....	Paper & Rubber Kit, A404 1978-80.....	1	
32000A.....	Paper & Rubber Kit, A413/470/670 1981-Up.....	1	

PART #	OVERHAUL KITS	QTY	REFERENCE #
32002A.....	Overhaul Kit, A413/470/670 1978-Up (W/Teflon Rings).....	1	
32002AA.....	Overhaul Kit, A413/470/670 1978-Up (W/Metal Rings).....	1	

PART #	MASTER L/STEELS KIT	QTY	REFERENCE #
32004.....	Master L/Steels, A404 1978-80.....	1	
32004A.....	Master L/Steels, A413/470/670 1981-Up (W/Teflon Rings).....	1	
32004AA.....	Master L/Steels, A413/470/670 1981-Up (W/Metal Rings).....	1	

PART #	MASTER W/STEELS KIT	QTY	REFERENCE #
32006.....	Master W/Steels, A404 1978-80.....	1	
32006A.....	Master W/Steels, A413/470/670 1981-Up (W/Teflon Rings).....	1	
32006AA.....	Master W/Steels, A413/470/670 1981-Up (W/Metal Rings).....	1	

PART #	FILTERS	QTY	REFERENCE #
32010.....	Filter, A404/413 (Felt) 1978-82.....	1	5212145
32010A.....	Filter, A404/413/470/670 (1/2 Plastic & 1/2 Metal) 1981-Up.....	1	4269649

PART #	FILTER KITS	QTY	REFERENCE #
32011.....	Filter Kit, A404/413 (Felt) 1978-82.....	1	
32011A.....	Filter Kit, A413/470/670 (Plastic) 1983-Up.....	1	

PART #	MISCELLANEOUS FILTERS	QTY	REFERENCE #
32014.....	Screen, A404/413/470/670 (Bolts Under Governor) Flat 3 Bolt.....	1	5205839
32014A.....	Screen, A404/413/470/670 (Bolts Under Governor) Flat 3 Bolt.....	1	
92015.....	Filter, A413/470/670 Regulator Screen (Inside Valve Body).....	1	3878313

PART #	BANDS	QTY	REFERENCE #
32022.....	Band, A404/413/470/670 Kickdown (Semi- Flex).....	1	5212312
32022A.....	Band, A670 Kickdown (Semi-Flex).....	1	
32024.....	Band, A404/413/470/670 Reverse.....	1	5205765

PART #	BUSHINGS	QTY	REFERENCE #
32030.....	Bushing Kit, A404/413/470/670.....	1	
12034.....	Bushing, A404/413/470/670 Pump Body (Babbit).....	1	
12034A.....	Bushing, A404/413/470/670 Pump Body (Bronze).....	1	
12037.....	Bushing, A404/413/470 Stator 1978-85.....	1	4058635
32037.....	Bushing, A413/470/670 Stator (1986-Up).....	1	
32046.....	Bushing, A404/413/470/670 Direct Drum (Rear).....	1	5222406
32046B.....	Bushing, A404/413/470/670 Direct Drum (Front) (Large).....	1	5222405
32050.....	Bushing, A404/413/470/670 Front Ring Gear Hub.....	1	5205728
32052.....	Bushing, A404/413/470/670 Sun Gear.....	2	5205735
32061.....	Bushing, A404/413/470/670 Rear Band Drum.....	1	5222137
32066.....	Bushing, A404/413/470/670 Extension Housing.....	1	5212223

PART #	METAL CLAD SEALS	QTY	REFERENCE #
12070.....	Seal, A404/413/470/670 Front (Without Flange)(.363" Thick).....	1	4269057
12070A.....	Seal, A404/413/470/670 Front (With Flange)(.363" Thick).....	1	
22072.....	Seal, A404/413/470/670 Manual Shaft (1/4" Thick) 1966-Up.....	1	3878447
32074.....	Seal, A404/413/470/670 (Both Axles).....	2	5205591
32074A.....	Seal, A413/470/670 Axle AWD (Goes In Transfer Case Adapter).....	1	4486042
32075.....	Seal, A404/413 Pinion Shaft.....	1	5222015
T32076.....	Seal, A404/413/470/670 For T32275.....	1	

FWD 3 Speed



A404 / A413 / A470 / A670

PART #	FRICTION CLUTCH	QTY	REFERENCE #
32106.....	Friction, A404/413/470/670 Direct Clutch (.083") (Waffle) 1978-Up.....	2-4.....	5205675
32108.....	Friction, A404 Forward Clutch (.071)(47 Teeth) 1978-80.....	2.....	5222185
32108A.....	Friction, A413/470/670 Forward Clutch (.071") (49 Teeth) 1981-Up.....	2-4.....	5224084
32119.....	Friction Module, A404 1978-80.....	1.....	
32119A.....	Friction Module, A413/470/670 1981-Up.....	1.....	
32119AS1.....	Friction Module, A413/470/670 1981-Up (Stage 1).....	1.....	
PART #	STEEL CLUTCH	QTY	REFERENCE #
32126.....	Steel, A404 Forward & Direct Clutch (.065") (4 1/8"ID) 1978-80.....	4.....	5205677
32126A.....	Steel, A413/470/670 Direct Clutch (.101") (4 1/8"ID) 1981-Up.....	3-4.....	4207208
32128.....	Steel, A413/470/670 Forward Clutch (.068") (4 1/4"ID) 1981-Up.....	2-3.....	5224073
32139.....	Steel Module, A404 1978-80.....	1.....	
32139A.....	Steel Module, A413/470/670 1981-Up.....	1.....	
PART #	CLUTCH PRESSURE PLATES	QTY	REFERENCE #
32146A.....	Pressure Plate, A404 Forward & Direct 1978-80.....	2.....	5205684
32146B.....	Pressure Plate, A413/470/670 Direct Clutch (.186") 1981-Up.....	1.....	
32146C.....	Pressure Plate, A413/470/670 Direct Clutch (.207") 1981-Up.....	1.....	4207209
32148.....	Pressure Plate, A413/470/670 Forward Clutch (.197") 1981-Up.....	1.....	
32148A.....	Pressure Plate, A413/470/670 Forward Clutch (.263") 1981-Up.....	1.....	4269619
32149.....	Reaction Plate, A404 Forward Clutch (Beveled) (4 1/4"ID) 1981-Up.....	1.....	5205704
32149A.....	Reaction Plate, A404 Forward Clutch (Beveled) (4 1/8"ID) 1978-81.....	1.....	4269618
PART #	VALVE BODY KITS	QTY	REFERENCE #
S32165A.....	Valve Body Kit, A404/A413/A470/A670 (3 Stages) (Superior).....	1.....	
T32165AA.....	Valve Body Kit, A470/A670 Lock-Up (With Dirt Diaper Fixes) Transgo.....	1.....	
PART #	OIL SEALING RINGS	QTY	REFERENCE #
32175.....	Ring Kit, A404 (Metal) 1978-80.....	1.....	
32175T.....	Ring Kit, A404 (Teflon) 1978-81.....	1.....	
32175A.....	Ring Kit, A413/470/670 (Metal) 1981-Up.....	1.....	
32175AT.....	Ring Kit, A413/470/670 (Teflon) 1981-Up.....	1.....	
12177A.....	Ring, A404/413 Input Shaft (1.062"OD) (Metal) 1978-85.....	1-2.....	1401221
12177AT.....	Ring, A404/413 Input Shaft (1.062"OD) (Teflon) 1978-86.....	1-2.....	4269592
32177B.....	Ring, A413/470/670 Input Shaft (.940"OD) (Metal) 1986-Up.....	2-3.....	4377047
32177BT.....	Ring, A413/470/670 Input Shaft (.940"OD) (Teflon) 1986-Up.....	2-3.....	
32178.....	Ring, A404/413/470/670 Forward Clutch Drum (1.750"OD) (Metal).....	1.....	5205697
32178T.....	Ring, A404/413/470/670 Forward Clutch Drum (1.750"OD) (Teflon).....	1.....	
32179.....	Ring, A404/413/470/670 Stator Support (2.180"OD) (Metal).....	2.....	5212305
32189.....	Ring, A404/413/470/670 Governor Support (2.122"OD) (Metal).....	3.....	5212092
32189T.....	Ring, A404/413/470/670 Governor Support (2.122"OD) (Teflon).....	3.....	4269954
32191.....	Ring, A404/413/470/670 Accumulator (Small) Use 12177A.....	1.....	
12192.....	Ring, A404/413/470/670 Accumulator (Large) 2.000"OD (Metal) 1978-Up.....	2.....	1315158
12192T.....	Ring, A404/413/470/670 Accumulator (Large) 2.000"OD (Teflon) 1978-Up.....	2.....	
12194.....	Ring, A413/470/670 Kickdown Servo (Small) 1.000"OD (Metal) 1981-Up.....	1.....	3410374
12194T.....	Ring, A413/470/670 Kickdown Servo (Small) 1.000"OD (Teflon) 1981-Up.....	1.....	
12194A.....	Ring, A404/413 Kickdown Servo Piston (Small) 1.250"OD (Metal) 1978-80.....	1.....	1672287
32195.....	Ring, A404/413/470/670 Kickdown Servo (Large) 1.898"OD (Metal) 1978-Up.....	1-2.....	5212049
12195A.....	Ring, A404/413/470/670 Kickdown Servo (Large) 2.125"OD (Metal) 1981-Up.....	1.....	1636470
32195AT.....	Ring, A404/413/470/670 Kickdown Servo (Large) 2.125"OD (Teflon) 1981-Up.....	1.....	3743014
PART #	WASHERS & BEARINGS	QTY	REFERENCE #
32200.....	Washer Kit, A404/413/470/670 (Combo) 1978-Up.....	1.....	
32211.....	Washer, A404/413/470/670 Stator To Direct Drum (Fiber).....	1.....	
32229.....	Washer, A404/413/470/670 Forward Drum To Direct Drum (Fiber).....	1.....	
32232.....	Washer, A404/413/470/670 Forward Drum To Hub.....	1.....	
32238.....	Washer, A404 Front and Rear Planet (4 Tab) 1978-80.....	4.....	
32238A.....	Washer, A413/470/670 Front Planet (4 Tab) 1981-Up.....	4.....	
32238B.....	Washer, A470/670 Front Planet (5 Tab) 1996-Up.....	1.....	4659163
32242.....	Race, A404 Sun Shell 1978-80 (W/29 Inner Teeth).....	1.....	25205737
32242A.....	Race, A413/470/670 Sun Shell (W/3 Inner Teeth) 1981-Up.....	1.....	5224236
32254.....	Cone Bearing, A404/413/470/670 Rear Ring Gear To Case & Drive Gear To Case (1.378"ID).....	1.....	
.....	23 Rollers.....	2.....	5224300

CHRYSLER

# A404 / A413 / A470 / A670



FWD 3 Speed

CHRYSLER

PART #	WASHERS & BEARINGS (Continued)	QTY	REFERENCE #
T32254K	Bearing & Race Kit, A404/413/470/670 Rear Ring Gear To Case & Drive Gear To Case (Teckpak)	2	
32255	Cup Race, A404/413/470/670 Rear Ring Gear To Case & Drive Gear To Case	2	
32257	Washer, A404/413/470/670 Rear Band Drum To Case (Fiber)	1	5205772
32268	Washer, A404/413/470/670 Input Shaft To Output Shaft (.079")	1	
32268A	Washer, A404/413/470/670 Input Shaft To Output Shaft (.085")	1	
32268B	Washer, A404/413/470/670 Input Shaft To Output Shaft (.093")	1	
32271	Washer, A404/413/470/670 Under Output Shaft Nut (Also Fits Pinion Shaft Nut)	1-2	
32273	Cup Race, A404/413/470/670 Differential/Pinion/Driven Transfer Gear	4	4567022
32274	Bearing, A404/413/470/670 Differential/Pinion/Both Transfer Gears (22 Rollers)(1.497"ID)	4	4567025
32274K	Bearing & Race Kit, A404/413/470/670 Differential/Pinion/Both Transfer Gears (22 Rollers)	4	4269688
92274A	Bearing, A404/413/470/670 Differential (19 Roller) (1.625"ID)	1	
T32275	Support Bearing W/Seal, A404/413/470/670 Axle Stabilizer (Teckpak)	1	
32276	Spacer, A404/413/470/670 Under Driven Transfer Gear	1	
S32276K	Shim Kit, A404/413/470/670 (Use W/32276) (.005") (10 Per Kit) Sonnax	1	32539-Z5
32277	Washer, A404/413/470/670 Under Pinion Shaft Nut (Use 32271)	1	
32278A	Spacer, A404 Rear Planet Ring Gear To Drive Gear (.037") 1978-80	1	4207166
S32278K	Shim Kit, A404/413/470/670 (Use W/32278) (.005") (10 Per Kit) Sonnax	1	35539-Z5
32278B	Spacer, A413/470/670 Rear Planet Ring Gear To Drive Transfer Gear (.498") 1981-Up	1	4207162
S92290AK	Shim Kit, A404/413/470/670 Differential Bearing Race (.005")(Fits Small Cup Race 2.480"OD) (10 Per Kit) Sonnax	1	39539-Z5
S92290BK	Shim Kit, A404/413/470/670 Differential Bearing Race (.005")(Fits Large Cup Race 2.880"OD) (10 Per Kit) Sonnax	1	

PART #	GASKETS & RUBBER COMPONENTS	QTY	REFERENCE #
32300	Gasket, A404/413/470/670 Bottom Pan 1978-Up (Cork)	1	5224052
32303	Gasket, A404/413/470/670 Differential Cover 1978-up (Cork)	1	5212276
32304	Gasket, A404/413/470/670 Transfer Gear Cover (Cork)	1	5222142
32304F	Gasket, A404/413/470/670 Transfer Gear Cover (Farpak)	1	
32310	Gasket, A404, 413/470/670 Pump	1	5212306
32311	O-Ring, A404, 413/470/670 Pump	1	5205660
32326	Gasket, A404/413/470/670 Filter (Fiber Type)	1	3878313
32326A	Gasket, A404/413/470/670 Filter (Foam Type)	1	4269671
32334	Lip Seal, A404/413/470/670 Forward Clutch Piston (Inner)	1	5212373
32335	Lip Seal, A404/413/470/670 Forward Clutch Piston (Outer)	1	5205701
32336	Lip Seal, A404/413/470/670 Direct Clutch Piston (Inner)	1	5205670
32337	Lip Seal, A404 Direct Clutch Piston (Outer) 1978-80	1	5205671
32337A	Lip Seal, A413/470/670 Direct Clutch Piston (Outer) 1981-Up	1	4058487
32348	O-ring, A404/413/470/670 Extension Housing 1978-Up	1	6500111
12349	Seal, A404/413/470/670 Throttle Lever Shaft	1	2466548
32363	Lip Seal, A404/413/470/670 Reverse Servo (Viton) 1978-Up	1	
32368	O-Ring, A404/413/470/670 Speed-O Adapter 1978-Up	1	5212152
44371A	O-Ring, A404/413/470/670 Filler Tube	1	6264902
32375	O-Ring, A404/413/470/670 Pinion Bearing Retainer 1978-Up	1-2	6500169

PART #	TECHNICAL MANUALS	QTY	REFERENCE #
32400C	Technical Manual, A404/413/470/670	1	83-670TM

PART #	ELECTRICAL COMPONENTS	QTY	REFERENCE #
12410	Neutral Switch, A404/413/470/670 (Long)	1	
12410A	Neutral Switch, A404/413/470/670 (Short)	1	3747361
32425	Solenoid, A413/670 TCC (Lock-Up) 1993-98	1	4377005

PART #	MISC. COMPONENTS	QTY	REFERENCE #
S22487	E-Clip, A404/413/470/670 Shift Linkage	1	
32490A	Vent, A413/470/670 Case 1995-Up	1	

PART #	HARD PARTS	QTY	REFERENCE #
32500	Pump, A404/413/470 (1 Ring On Input Shaft) 1978-85	1	
32500A	Pump, A413/470/670 (2 or 3 Rings On Input Shaft) 1986-Up (Body Has Inner Gear With 25 Teeth & 2 Flats For Converter Hub)	1	
32500B	Pump, A413/A470/A670 (2 Or 3 Rings On Input Shaft) 1986-Up (Body Has Inner Gear With 12 Teeth & 2 Flats For Converter Hub)	1	

FWD 3 Speed



A404 / A413 / A470 / A670

32510	Pump Body, A404/413/470 (W/2 Lugs On Inner Gear) 1978-85	1	5224036
32510A	Pump Body, A413/470/670 (W/2 Flats On Inner Gear) 1986-Up (25 Teeth On Inner Gear)	1	4377996
32510B	Pump Body, A413/470/670 (W/2 Flats On Inner Gear) 1986-Up (12 Teeth On Inner Gear)	1	
32520	Stator, A404/413/470 (1 Ring On Input Shaft) 1978-85	1	5222412
32520A	Stator, A413/470/670 (2 or 3 Rings On Input Shaft) 1986-Up (Fits Body With Inner Gear With 25 Teeth & 2 Flats For Converter Hub)	1	4377120
32520B	Stator, A413/A470/A670 (2 Or 3 Rings On Input Shaft) 1986-Up (Fits Body With Inner Gear With 12 Teeth & 2 Flats For Converter Hub)	1	

PART #	PUMP COMPONENTS	QTY	REFERENCE #
--------	-----------------	-----	-------------

32530A	Pump Gear Set, A404/413/470 (.591") W/Lugs 1978-85	1	
32530B	Pump Gear Set, A413/470/670 (.589") W/Milled Flats 1986-Up	1	
32530BA	Pump Gear Set, A413/470/670 (.591") W/Milled Flats 1986-Up	1	

PART #	HARD PARTS (Continued)	QTY	REFERENCE #
--------	------------------------	-----	-------------

32554	Drum, A404 Forward Clutch (3 Clutch) 1978-80	1	5212320
32554A	Drum, A413/470 Forward Clutch (3 Clutch) 1981-E86	1	
32554B	Drum, A413/470 Forward Clutch (4 Clutch) 1981-E86	1	
32554C	Drum, A413/470 Forward Clutch (3 Clutch) L1986-Up	1	
32554D	Drum, A670 Forward Clutch (4 Clutch) L1986-Up	1	4248916
32555	Drum, A404 Direct Clutch 1978-81	1	5269510
32555A	Drum, A413/470 Direct Clutch 1982-85	1	5224316
32555B	Drum, A670 Direct Clutch (4 Clutch) L1986-Up	1	
32555C	Drum, A413/470 Direct Clutch (3 Clutch) L1986-Up	1	
32556	Drum, A404 Low/Reverse (Band Drum) 1978-80	1	
32556A	Drum, A413/470/670 Low/Reverse (Band Drum) 1981-Up	1	4207117
32564	Piston Kit, A404/413/470/670 Forward Clutch 1978-Up	1	5205684
32565	Piston Kit, A404/413/470/670 Direct Clutch 1978-Up	1	5205704
32582	Planet, A404 Front (29 Teeth Sun Gear) 1978-81	1	4567210
32582A	Planet, A413/470/670 Front (4 Gear) (36 Teeth Sun Gear) 1981-95	1	4269941
32582B	Planet, A670 Front (5 Gear) (36 Teeth Sun Gear) 1996-Up	1	4348900
32583A	Planet Kit, A413/470/670 1981-95 (Contains: # 894/881/232/882/602/592/882/238/582/242/622/612/884/584/254/678)	1	
32584	Planet, A404/413/470/670 Rear (4 Gear) (Square Housing) 1978-95	1	5205740
32584B	Planet, A670 Rear (4 Gear) (Round Housing) 1996-Up (Can Use 32584)	1	
32592	Ring Gear, A404 Front (Annulus) 1978-80	1	5212201
32592A	Ring Gear, A413/470/670 Front (Annulus) 1981-Up	1	5224310
32594	Ring Gear, A404/413/470/670 Rear (Annulus) (Washer Type) 1978-95	1	5222047
32594B	Ring Gear, A670 Rear (Annulus) 1996-Up	1	
32602	Hub, A404 Front Ring Gear 1978-81	1	5212203
32602A	Hub, A413/470/670 Front Ring Gear 1981-Up	1	5224070
32612	Sun Gear, A404 (29 Teeth / 29 Teeth) 1978-80	1	5205733
32612A	Sun Gear, A413/470/670 (29 Teeth / 36 Teeth) 1981-Up	1	5224192
32622	Shell, A404 1978-80	1	7207195
32622A	Shell, A413/470/670 1981-Up	1	
32654K	Sprag Kit, A404/413/470/670 Spring & Rollers	1	4186886
32664	Inner Race, A404 Rear Sprag (Bolt In Replacement) 1978-80	1	
32664A	Inner Race, A413/470/670 Rear Sprag (Bolt-In) 1981-Up	1	
32670	Shaft, A404/413/470 Input (23 Splines) (1 Ring) 1978-85	1	5222400
32670A	Shaft, A413/470 Input (23 Splines) (2 Ring) 1986	1	4377106
32670B	Shaft, A413/470/670 Input (22 Splines) (3 Ring) 1987-Up (Lock-Up)	1	4348397
32678	Shaft, A404 Output (6 1/4" Long) 1978-80	1	5222401
32678A	Shaft, A413/470/670 Output (6 1/2" Long) 1981-Up	1	4348932
32680	Governor, A404/413/470/670	1	4207055
S32681AK	Spring & Bracket, A413/470/670 Governor (Sonnax)	1	
106681A-3	Spring, 404/413/470/670 Governor	1	
32685	Support, A404/413/470/670 Governor (1/2" Thick Lugs) 1978-Up	1	5212249
32685A	Support, A404/413/670 Governor (5/8" Thick Lugs) 1978-Up	1	
32687	Retainer, A404/413/470/670 Governor Support 1978-Up	1	5212371
32698A	Oil Baffle, A404/413/470/670 Inside Differential Retainer	1	5222256
32698B	Oil Baffle, A404/413/470/670 Inside Extension Housing	1	4567494
32710	Gear, A404/413/470/670 Output (49 Teeth) 1978-Up	1	4131048
32710A	Gear, A404/413/470/670 Output (57 Teeth) 1978-Up	1	4186889
32710B	Gear, A404/413/470/670 Output (56 Teeth) 1978-Up	1	4205871
32710C	Gear, A404/413/470/670 Output (53 Teeth) 1978-Up	1	4186871
32710D	Gear, A404/413/470/670 Output (45 Teeth) 1978-Up	1	
32712	Gear, A404/413/470/670 Transfer Driven (60 Teeth) 1978-Up	1	4131048
32712A	Gear, A404/413/470/670 Transfer Driven (52 Teeth) 1978-Up	1	
32712B	Gear, A404/413/470/670 Transfer Driven (56 Teeth) 1978-Up	1	

CHRYSLER

# A404 / A413 / A470 / A670



FWD 3 Speed

CHRYSLER

PART #	HARD PARTS (Continued)	QTY	REFERENCE #
32712C	Gear, A404/413/470/670 Transfer Driven (54 Teeth) 1978-Up	1	
32712D	Gear, A404/413/470/670 Transfer Driven (47 Teeth) 1978-Up	1	
32716	Differential Housing, A404/413 W/Out Ring Gear (8 Bolt) 1978-82 (Axle Gear Washers Are Round W/Out Tab) Can Use 32716A	1	4186888
32716A	Differential Housing, A404/413/470 W/Out Ring Gear (8 Bolt) 1981-E87 (Washers Under Axle Gears Have 1 Tab)	1	4269768
32716B	Differential Housing, A413/470/670 W/Out Ring Gear (12 Bolt) L1987-Up (W/22 Roller Bearing Both Sides) Axle Does Not Use A Snap Ring To Hold It To The Differential	1	
32716BA	Differential Housing, A413/470/670 W/Out Ring Gear (12 Bolt) L1987-Up (W/19 Roller Bearing On Ring Gear Side) Axle Does Not Use A Snap Ring To Hold It To The Differential	1	
32716BB	Differential Housing, A413/470/670 W/Out Ring Gear (12 Bolt) (W/19 Roller Bearing On Ring Gear Side) Axle Uses A Snap Ring To Hold It To The Differential	1	
32716BC	Differential Housing, A413/470/670 W/Out Ring Gear (12 Bolt) (W/22 Roller Bearing On Both Sides) Axle Uses A Snap Ring To Hold It To The Differential	1	
32716BD	Differential Housing, A413/470/670 W/Out Ring Gear (12 Bolt) With 22 Roller Bearing On Housing Side, 19 Roller Bearing On Ring Gear Side (Axle Uses A Snap ring To Hold It To The Differential) Cross Pin Is Held In By 2 Brackets	1	

PART #	DIFFERENTIAL COMPONENTS	QTY	REFERENCE #
32717A-6	Spider Gear, A404/413/470 Differential 1981-E87	1	4412050
32717A-7	Shim, A404/413/470/670 Differential Spider Gear	1	4412521
32717A-9	Side Gear, A404/413/470 Differential 1981-E87	1	4412048
32717A-10K	Shim Kit, A404/413/470/670 Differential Side Gear	1	4504568
32716B-6	Spider Gear, A670 Differential L1987-Up	1	4659502
32717B-9	Side Gear, A670 Differential L1987-Up	1	4348679
32717AK	Gear Kit, A404/413/470 (8 Bolt) Side & Spider Gears W/Washers & Pins 1981-E87	1	
32717BK	Gear Kit, A670 (12 Bolt) Side & Spider Gears W/Washers & Pins L1987-Up	1	

PART #	HARD PARTS (Continued)	QTY	REFERENCE #
32720	Ring Gear, A404/413/470 Differential (54 Teeth) (8 Bolt) (No Groove)	1	
32720A	Ring Gear, A404/413/470 Differential (55 Teeth) (8 Bolt) (No Groove)	1	
32720B	Ring Gear, A404/413/470 Differential (55 Teeth) (8 Bolt) (2 Groove)	1	
32720C	Ring Gear, A404/413/470 Differential (61 Teeth) (8 Bolt) (1 Groove)	1	
32720D	Ring Gear, A404/413/470 Differential (61 Teeth) (8 Bolt) (3 Groove)	1	
32720E	Ring Gear, A404/413/470 Differential (61 Teeth) (8 Bolt) (2 Groove)	1	
32720F	Ring Gear, A404/413/470 Differential (60 Teeth) (8 Bolt) (3 Narrow Groove)	1	
32720G	Ring Gear, A404/413/470 Differential (60 Teeth) (8 Bolt) (2 Narrow & 1 Wide Groove)	1	
32720H	Ring Gear, A404/413/470 Differential (60 Teeth) (8 Bolt) (4 Groove)	1	
32720HA	Ring Gear, A404/413/470 Differential (60 Teeth) (8 Bolt) (6 Groove)	1	
32720J	Ring Gear, A670 Differential (60 Teeth) (12 Bolt) (No Groove)	1	
32720JA	Ring Gear, A670 Differential (60 Teeth) (12 Bolt) (2 Groove)	1	
32720K	Ring Gear, A670 Differential (61 Teeth) (12 Bolt) (1 Groove)	1	
32720L	Ring Gear, A670 Differential (61 Teeth) (12 Bolt) (3 Groove)	1	
32725	Retainer, A404/413/470 Differential (Aluminum)	1	4205855
32725A	Retainer, A404/413/470 Differential (Steel) (3 3/4" Tall)	1	
32725B	Retainer, A670 Differential (For 12 Bolt Differential W/22 Roller Bearing On Ring Gear Side)	1	
32725BA	Retainer, A670 Differential (For 12 Bolt Differential W/19 Roller Bearing On Ring Gear Side)	1	
32727A	Retainer, A404/413/470/670 Transfer Gear Nut (Keeps Nut From Backing Off) (Goes With 32727B)	1	
32727B	Plate, A404/413/470/670 Transfer Gear Retainer (This Plate Goes With 32727A)	1	
32730	Pinion, A404/413/470/670 (18 Teeth) (No Groove)	1	
32730A	Pinion, A404/413/470/670 (18 Teeth) (1 Groove)	1	
32730B	Pinion, A404/413/470/670 (18 Teeth) (2 Groove)	1	
32730C	Pinion, A404/413/470/670 (19 Teeth) (No Groove)	1	
32730D	Pinion, A404/413/470/670 (19 Teeth) (1 Groove)	1	
32730E	Pinion, A404/413/470/670 (20 Teeth) (No Groove)	1	
32730F	Pinion, A404/413/470/670 (20 Teeth) (1 Groove)	1	
32730G	Pinion, A404/413/470/670 (20 Teeth) (2 Groove)	1	
32730H	Pinion, A404/413/470/670 (20 Teeth) (3 Groove)	1	
32730HA	Pinion, A404/413/470/670 (20 Teeth) (4 Groove)	1	
32730J	Pinion, A404/413/470/670 (21 Teeth) (No Groove) (2.850"OD Gear)	1	
32730JK	Ring & Pinion, (21 Teeth & 60 Teeth) (No Groove) (2.800"OD Pinion Gear) (12 Bolt Ring Gear)	1	
32730JA	Pinion, A404/413/470/670 (21 Teeth) (No Groove) (2.800"OD Gear)	1	

FWD 3 Speed

**JPAT** A404 / A413 / A470 / A670

32730JAK	Ring & Pinion, (21 Teeth & 60 Teeth) (No Groove) (2.850"OD Pinion Gear) (12 Bolt Ring Gear)	1	
32730K	Pinion, A404/413/470/670 (21 Teeth) (3 Narrow Grooves)	1	
32730L	Pinion, A404/413/470/670 (21 Teeth) (2 Narrow & 1 Wide Grooves)	1	
32730LK	Ring & Pinion, (21 Teeth Pinion) (60 Teeth / 8 Bolt Ring Gear)	1	
32730M	Pinion, A404/413/470/670 (21 Teeth) (4 Groove)	1	
32730N	Pinion, A404/413/470/670 (21 Teeth) (6 Groove)	1	
32735	Retainer, A404/413 Pinion (Aluminum) Seal Type 1978-82	1	4269688
32735A	Retainer, A413/470/670 Pinion (Aluminum) No Seal Type 1983-Up	1	4269688
32740	Valve Body, A404/413/470 Non Lock-Up 1978-87	1	
32740A	Valve Body, A413/470/670 Lock-Up (W/Solenoid) (No Tubes) 1987-Up	1	
32740B	Valve Body, A413/470/670 Lock-Up (W/Solenoid) (W/3 Tubes) 1998-Up	1	

PART #	VALVE BODY COMPONENTS	QTY	REFERENCE #
A12741A-5	Check Ball, Chrysler (All) (11/32"OD) (Torlon)	AR	
S32741NOSK	Throttle Valve Kit, A404/413/470/670 (Oversize) (Sonnax) (Valve, Sleeve, Plunger, Spring, 3 Shims) Use T-F-22771-TL)	1	
T-F-22771-TL	Reamer, For S32741NOSK	1	

PART #	HARD PARTS (Continued)	QTY	REFERENCE #
32758	Differential Cover, A404/413 W/Plug 1978-82	1	4269631
32758A	Differential Cover, A413/470/670 W/Out Plug 1982-Up	1	4471574
32759	Rear Cover, A404/413/670 Transfer Gear 1978-85 (Is Flat On Back)	1	4295929
32759A	Rear Cover, A413/470/670 Transfer Gear 1986-94 (Has 1 Raised Hump Where The Output Shaft Nut Rides)	1	4471572
32759B	Rear Cover, A470/670 Transfer Gear 1995-Up (Has 2 Stepped Hump Where The Output Shaft Rides)	1	
32760	Case, A404 (1.7 Liter) Non Lock-Up 1978-82	1	5224047
32760A	Case, A470 (2.6 Liter) Non Lock-Up 1980-83	1	5224189
32760B	Case, A413 (2.2 Liter) Non Lock-Up 1979-82	1	4224199
32760C	Case, A404 (1.7 Liter) Non Lock-Up L1982-Up	1	
32760D	Case, A413 (1.6 Liter) Non Lock-Up 1983-Up	1	4269996
32760E	Case, A413 (2.2/2.5 Liter) Non Lock-Up (W/3 Threaded Starter Holes) 1983-Up	1	
32760EA	Case, A413 (2.2/2.5 Liter) Non Lock-Up (W/1 Threaded Starter Hole) 1983-Up	1	
32760G	Case, A470 (2.6 Liter) Non Lock-Up 1983-Up	1	
32760H	Case, A413 (2.2/2.5 Liter) Lock-Up (W/1 Threaded Starter Hole) 1987-Up	1	
32760J	Case, (2.0/2.4 Liter) (Top Bolts 6") Mitsubishi 1995-99 (W/Vent)	1	
32760JA	Case, (2.0/2.4 Liter) (Top Bolts 6") Mitsubishi 1995-Up (W/Out Vent)	1	
32760JB	Case, (2.0/2.4 Liter) Lock-Up (Top Bolts 6") Mitsubishi 2000-Up (W/ Vent) Has A Threaded Boss At The Same Level As The Shift Lever Seal (Has A Valve Body W/3 Tubes)	1	
32760JC	Case, (2.0/2.4 Liter) Lock-Up (Top Bolts 6") Mitsubishi 2000-Up (W/Vent) Has A Threaded Boss At The Same Level As The Shift Lever Seal (Has A Valve Body W/2 Tubes)	1	
32760L	Case, A670 (3.0 Liter) 2WD Lock-Up 1987-94	1	4531126
32760LA	Case, A670 (3.0 Liter) 2WD & 4x4 Lock-Up (W/Vent) 1995-UP (W/Sensor Hole)	1	
32760LAA	Case, A670 (3.0 Liter) 2WD & 4x4 Lock-Up (W/Out Vent) 1995-UP (W/Sensor Hole)	1	
32760LAC	Case, A670 (3.0 Liter) (V-6) 2WD & 4x4 Lock-Up (W/Vent) 1995-Up (W/Sensor Hole) An Early Case Converted To Late	1	
32760LB	Case, A670 (3.0 Liter) (V-6) 2WD & 4x4 Lock-Up 1995-Up (No Sensor Hole)	1	
32761LA	Case Kit, A670 (Converts 1987-94 3.0 Liter To 1995-Up) Case Must Be Machined For Crank Sensor & Filler Tube Hole (Contains: Bracket, Crank Sensor Sleeve, Filler Tube Bracket, Vent & Bolts)	1	
32765	Pan, A404/413 (Shallow) 1978-82	1	5224349
32765A	Pan, A413/470/670 (Deep) 1983-Up	1	4471573
32770	Extension Housing, A404/413 1978-82	1	
32770A	Extension Housing, A413/470/670 1983-Up	1	
32774	Housing, A404/413/470/670 Speed-O	1	
32774B	Housing, A413/470/670 Speed-O (2 Prong) Electric	1	
32774C	Housing, A470/670 Speed-O (3 Round Prongs)	1	
32774D	Housing, A470/670 Speed-O (3 Flat Prongs)	1	
32775	Bolt, A404/413/470/670 Flex Plate To Converter	1	
32779K	Bolt Set, A404/413/470/670 Bottom Pan	1	
32787K	Bolt Set, A404/413/470/670 Holds Governor To Support	1	
32795	Nut, A404/413/470/670 Pinion Shaft	1	
32796	Nut, A404/413/470/670 Output Shaft	1	
32842	Clip, A404/413/470/670 Speed-O Housing Retainer	1	
32876	Snap Ring, A404 Holds Forward Clutch Pressure Plate In 1978-80	1	
32876A	Snap Ring, A413/470/670 Holds Forward Pressure Plate In 1981-Up	1	

CHRYSLER



# A404 / A413 / A470 / A670



FWD 3 Speed

CHRYSLER

PART #	HARD PARTS (Continued)	QTY	REFERENCE #
32877	Snap Ring, A404 Holds Forward Return Spring In 1978-80	1	
32877A	Snap Ring, A413/470/670 Holds Forward Return Spring In 1981-Up	1	
32878	Snap Ring, A404/413/470/670 Holds Direct Pressure Plate In	1	
32879	Snap Ring, A404/413/470/671 Holds Direct Return Spring In	1	
32880	Snap Ring, A404/413/470/672 Holds Input Shaft In Forward Drum	1	
32881	Snap Ring, A404/413/470/673 Holds Front Planet To Hub	1	
32882	Snap Ring, A404/413/470/674 Holds Front Ring Gear To Hub	2	
32884	Snap Ring, A404/413/470/675 Holds Sun Gear To Shell	1	
32894	Snap Ring, A404/413/470/676 Holds Front Planet To Output Shaft	1	
32896	Snap Ring, A404/413/470/677 Holds Kickdown Servo In	1	
32897	Snap Ring, A404/413/470/678 Holds Pinion Retainer In	1	
32899	Snap Ring, A404/413/470/679 Holds Accumulator In	1	
32905	Servo Assembly, A404/413/470/670 Kickdown	1	
32906	Spring, A404/413/470/670 Kickdown Servo	1	
32907	Piston, A404/413/470/670 Kickdown Servo	1	
32909	Retainer, A404/413/470/670 Kickdown Servo	1	
32910	Servo Assembly, A404/413/470/670 Rear	1	
32911	Spring, A404/413/470/670 Rear Servo Return	1	
32912	Piston, A404/413/470/670 Rear Servo	1	
32914	Retainer, A404/413/470/670 Rear Servo Spring	1	
32916-2	Strut, A404/413/470/670 Kickdown Band (1 1/8" Long)	1	
32917-2	Strut, A404/413/470/670 Rear Band Apply (2 3/16" Long)	1	32710-01
32919	Adjustable Bolt, A404/413/470/670 Kickdown Band	1	
32920	Adjustable Bolt, A404/413/470/670 Rear Band	1	
32925	Accumulator Assembly, A404/413/470/670	1	
22926	Spring, A404/A413/A470/A670 Accumulator Return (1.525" Tall)	1	
32926	Spring, A404/A413/A470/A670 Accumulator Return (1.060" Tall)	1	
12927	Piston, A404/413/470/670 Accumulator (Aluminum)	1	
22927	Piston, A404/413/470/670 Accumulator (Plastic)	1	
12927HD	Piston, A404/A413/A470/A670 Accumulator (Aluminum With 4 Rings)	1	
32929	Retainer, A404/413/470/670 Accumulator Spring	1	
32964	Piston, A404/413/470/670 Forward Clutch	1	
32965	Piston, A404/413/470/670 Direct Clutch	1	
32974	Spring, A404/413/470/670 Forward Clutch Return (4.950"OD) (Can Use 12974A)	1	
12974A	Spring, A404/413/470/670 Forward Clutch Return (4.970"OD)	1	
32975	Spring, A404/413/470/670 Direct Clutch Return	1	
32985	Retainer, A404/413/470/670 Direct Clutch Spring	1	
32995	Park Pawl Assembly, A404/413/470/670	1	
32999	Tube Set, A404/413/470/670 Valve Body To Governor Support (Qty 2)	1	

FWD 3 Speed



**A404 / A413 / A470 / A670**

---

CHRYSLER