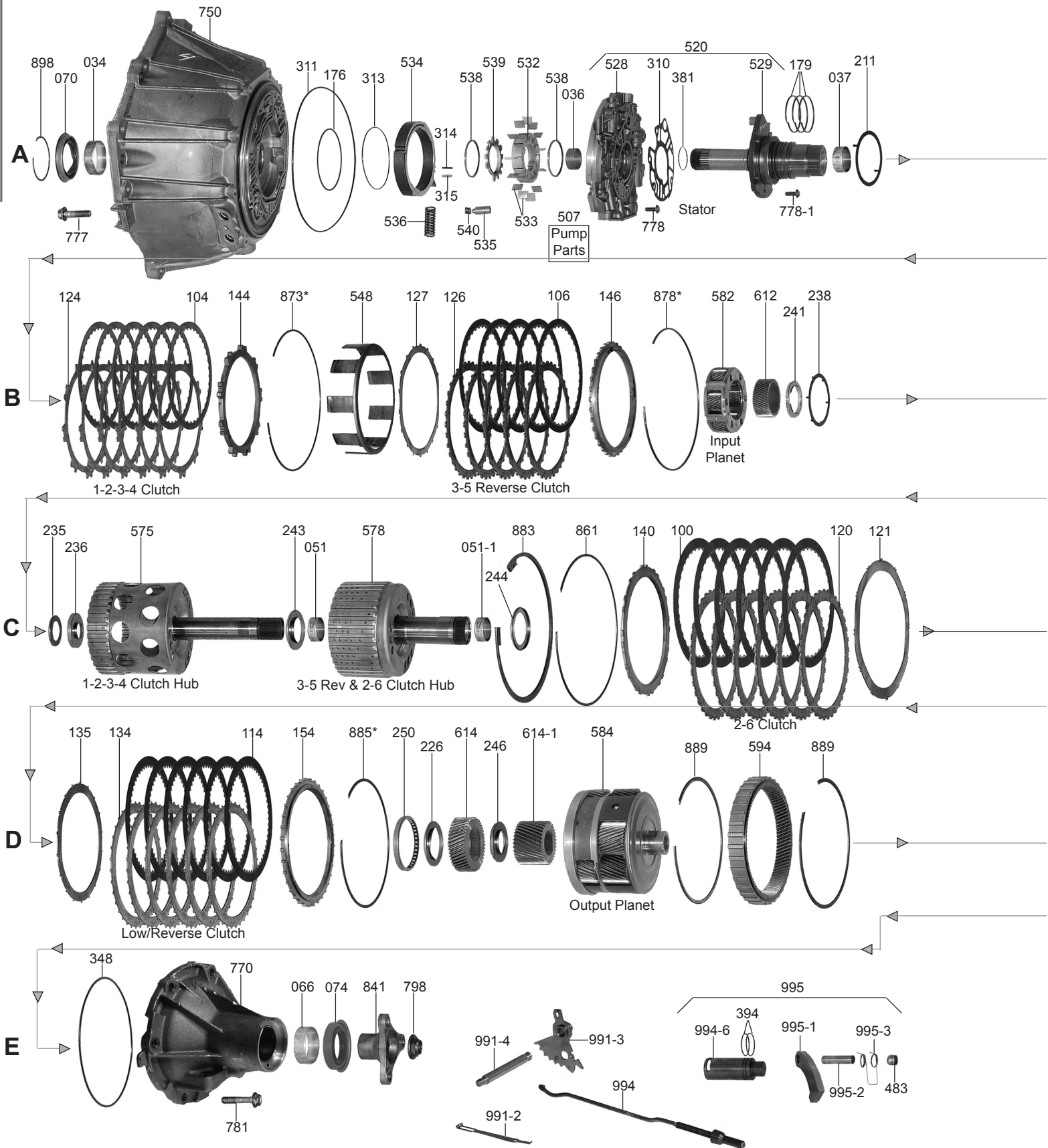
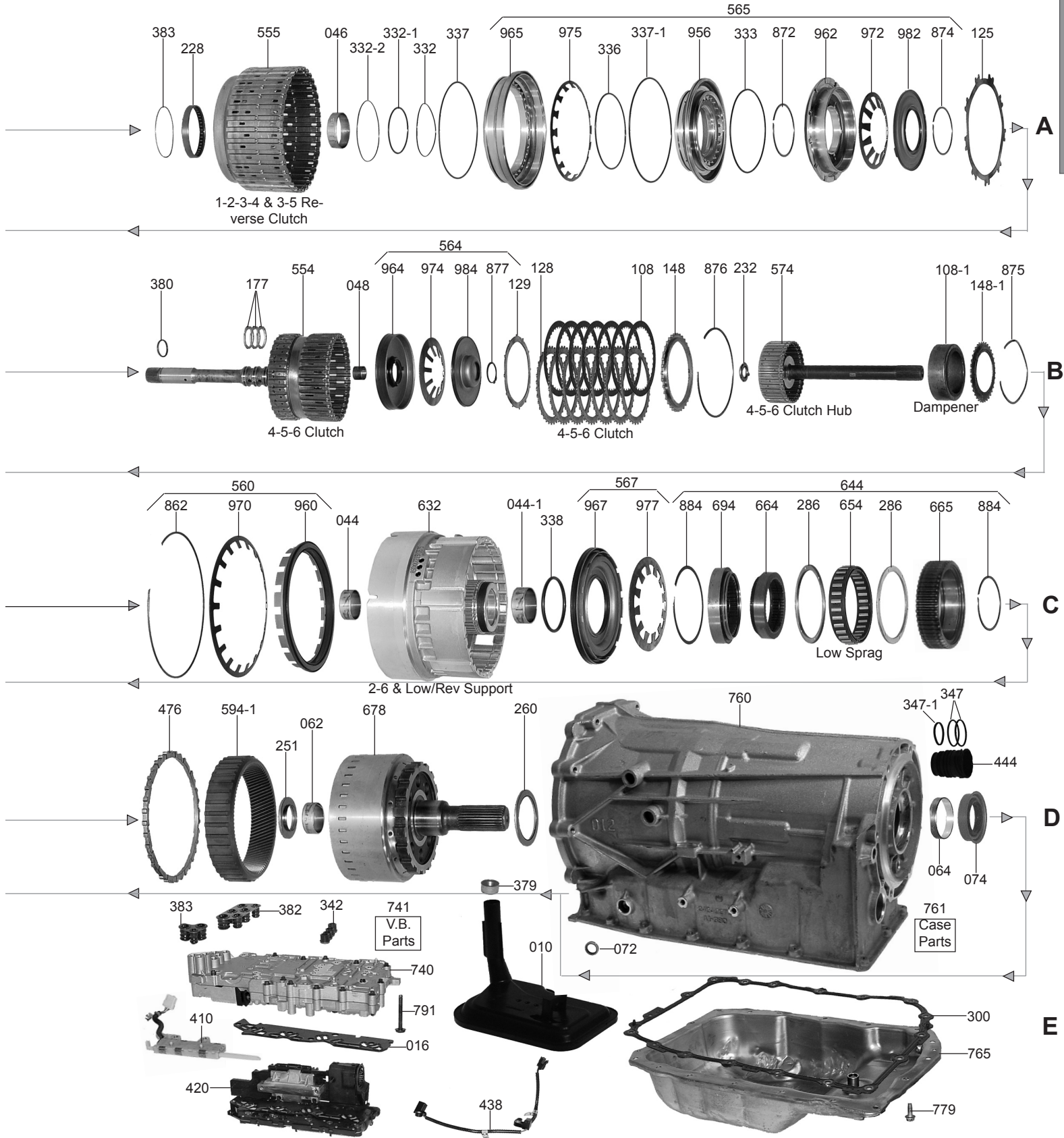


GM



GM



6L45 / 6L50 / 6L80 / 6L90



RWD 6 Speed

GM

PART #	OVERHAUL KITS	QTY	REFERENCE #
--------	---------------	-----	-------------

T45002AW	Overhaul Kit, 6L45/6L50 2007-Up (For Bonded Pistons Sell 45960BK)(Transtek)	1	
T45002CW	Overhaul Kit, 6L80/6L90 2006-Up (For Bonded Pistons Sell 45960CK)(Transtek)	1	
T45002DW	Overhaul Kit, 6L90 2007-Up (For Bonded Pistons Sell 45960CK)(Transtek)	1	

PART #	MASTER L/STEELS KIT	QTY	REFERENCE #
--------	---------------------	-----	-------------

45004A	Master L/Steels Kit, 6L45/6L50 2007-Up	1	
45004C	Master L/Steels Kit, 6L80 2006-Up (For Bonded Pistons Sell 45960CK)	1	
45004D	Master L/Steels Kit, 6L90 2007-Up (For Bonded Pistons Sell 45960CK)	1	

PART #	MASTER W/STEELS KIT	QTY	REFERENCE #
--------	---------------------	-----	-------------

45006A	Master W/Steels Kit, 6L45/6L50 2007-Up	1	
45006C	Master W/Steels Kit, 6L80 2006-Up (For Bonded Pistons Sell 45960CK)	1	
45006D	Master W/Steels Kit, 6L90 2007-Up (For Bonded Pistons Sell 45960CK)	1	

PART #	FILTERS	QTY	REFERENCE #
--------	---------	-----	-------------

45010A	Filter, 6L45 2007-Up	1	
45010B	Filter, 6L50 2007-Up	1	
45010C	Filter, 6L80/6L90 2006-Up (Has A 1 1/4" Tall Bracket On Top Of Filter)(For Deep Pan)(With Filter Setting On A Flat Surface, From Surface To The Top Of Inlet Tube Is 6 1/4")	1	
45010CA	Filter, 6L80/6L90 2006-Up (Has A 5/8" Tall Bracket On Top Of Filter)(For Shallow Pan)(With Filter Setting On A Flat Surface, From Surface To Top Of Inlet Tube Is 5 3/4")	1	
45010D	Filter, 6L90 2007-Up	1	
45016B	Screen, 6L50/6L80/6L90 Solenoid (Plastic Beaded) 2006-Up	1	

PART #	BUSHINGS	QTY	REFERENCE #
--------	----------	-----	-------------

45030A	Bushing Kit, 6L45/6L50 2007-Up	1	
45030C	Bushing Kit, 6L80/6L90 2006-Up	1	
45034B	Bushing, 6L50/6L80/6L90 Bell Housing (Pump Body) (Teflon Coated) (.785"Wide, 1.995"OD, 1.850"ID) 2006-Up	1	
45036B	Bushing, 6L50 Stator (Front) (.495"Wide, 1.033"OD, .905"ID) (Babbit) 2007-Up	1	
45036C	Bushing, 6L80/6L90 Stator(Front) (.540"Wide, 1.245"OD, 1.115"ID)(Babbit)2006-Up	1	
45037B	Bushing, 6L50 Stator (Rear) (1.200"ID) 2007-Up	1	
45037C	Bushing, 6L80/6L90 Stator (Rear) (1.480"ID) 2006-Up	1	
45044B	Bushing, 6L50/6L80/6L90 2-6 & Low/Reverse Support (Front) (.415"Wide, 1.025"OD, 1.890"ID) (Babbit) 2006-Up	1	
45044B-1	Bushing, 6L50 2-6 & Low/Reverse Support (Rear) (.450"Wide, 1.890"OD, 1.750"ID) (Babbit) 2007-Up	1	
45044C-1	Bushing, 6L80/6L90 2-6 & Low/Reverse Support (Rear) (.520"Wide, 2.030"OD, 1.895"ID) (Babbit) 2006-Up	1	
45046B	Bushing, 6L50/6L80/6L90 1-2-3-4 & 3-5 Reverse Drum (Rear) (.505"Wide, 2.190"ID) (Babbit) 2006-Up	1	
45048B	Bushing, 6L50/6L80/6L90 4-5-6 Clutch Drum (Rear) (.690"ID) (Babbit) 2006-Up	1	
45051B	Bushing, 6L50/5L90 3-5 Reverse & 2-6 Clutch Hub (Front) (1.475"ID) (W/Oil Pockets) (Babbit) 2007-Up	1	
45051B-1	Bushing, 6L50 3-5 Reverse & 2-6 Clutch Hub (Rear) (1.358"ID) (W/2 Grooves) (Babbit) 2007-Up	1	
45051C	Bushing, 6L80 3-5 Reverse & 2-6 Clutch Hub (Front) (1.475"ID) (Smooth) (Babbit) 2006-Up	1	
45051C-1	Bushing, 6L80/6L90 3-5 Reverse & 2-6 Clutch Hub (Rear) (1.465"ID) (W/2 Grooves) (Babbit) 2006-Up	1	
45062B	Bushing, 6L50 Output Shaft (1.200"ID) (Babbit) 2007-Up	1	
45062C	Bushing, 6L80/6L90 Output Shaft (1.430"ID) (Babbit) 2006-Up	1	
45064B	Use 45263B	1	
45064C	Bushing, 6L80/6L90 Case (Rear) (2.200"OD, 2.075"ID) (Teflon Coated) (Split) 2006-Up	1	
45066B	Use 45271B	1	
45066D	Bushing, 6L90 Extension Housing (2WD) (2.030"OD, 1.888"ID) 2007-Up	1	

PART #	METAL CLAD SEALS	QTY	REFERENCE #
--------	------------------	-----	-------------

45070B	Seal, 6L50/6L80/6L90 Front (.380"Thk, 2.995"OD) 2006-Up	1	
44072	Seal, 6L50/6L80/6L90 Manual Lever 2006-Up	1	
45074B	Seal, 6L50 2WD Extension Housing (2.430"OD, 1.730"ID) 2007-Up (Also Fits 6L50 4X4 Rear Case Seal 2007-Up)	1	
45074C	Seal, 6L80 2WD Extension Housing (2.690"OD) 2006-Up (Also Fits 6L80 4X4 Rear Case Seal 2006-Up)	1	

45074D Seal, 6L80/6L90 2WD Extension Housing (3.005"OD, 2.000"ID) 2007-Up (Also Fit 6L90 4X4 Rear Case Seal 2007-Up).....1

PART #	FRICTIONS	QTY	REFERENCE #
45100B	Friction, 6L50 2-6 Clutch (.098") (36 Internal Teeth) (7 1/4"OD) (1 Sided Friction) 2007-Up	5	
45100C	Friction, 6L80 2-6 Clutch (.071") (36 Teeth) (7 3/4"OD) (Waffle) 2006-Up	5	
45100D	Friction, 6L90 2-6 Clutch (.071") (36 Teeth) (7 3/4"OD) (Grooved) 2007-Up	6	
45104B	Friction, 6L50 1-2-3-4 Clutch (.065") (36 Teeth) (6 3/4"OD) 2007-Up	5	
45104C	Friction, 6L80/6L90 1-2-3-4 Clutch (.065") (36 Teeth) (7 1/4"OD) 2006-Up (6L80 Takes 5, 6L90 Takes 6)	5-6	
45106B	Friction, 6L50 3-5 Reverse Clutch (.073") (36 Teeth) (7 1/8"OD) 2007-Up	4	
45106C	Friction, 6L80/6L90 3-5 Reverse Clutch (.073") (36 Teeth) (7 11/16"OD) 2006-Up (6L80 Takes 4, 6L90 Takes 5)	4-5	
45108B	Friction, 6L50 4-5-6 Clutch (.079") (36 Internal Teeth) (1 Sided) (4.945"OD) 2007-Up	5	
45108B-1	Dampener Friction, 6L50 4-5-6 Clutch (1.020"Thick, 3.696"OD, 2.835"ID)(Cast # 24230475) 2007-Up	1	
45108C	Friction, 6L80/6L90 4-5-6 Clutch (.063") (36 Teeth) (5.095"OD) 2006-Up (6L80 Takes 6, 6L90 Takes 7)	6-7	
45108C-1	Dampener Friction, 6L80/6L90 4-5-6 Clutch (.885"Thick, 3.815"OD, 2.835"ID) (Cast # 24230368) 2006-Up	1	
45114B	Friction, 6L50 Low/Reverse Clutch (.064") (54 Teeth) (7"OD) (.360"Wide Friction Lining) 2007-Up	6	
45114C	Friction, 6L80/6L90 Low/Reverse Clutch (.064") (54 Teeth) (7"OD) (.460"Wide Friction Lining) 2006-Up (6L80 Takes 5, 6L90 Takes 6)	5-6	
45119C	Friction Module, 6L80 2006-Up	1	
45119CS1	Friction Module, 6L80 (Stage 1) 2006-Up	1	

PART #	STEELS	QTY	REFERENCE #
45120B	Friction, 6L50 2-6 Clutch (.084") (24 External Teeth) (6 3/8"ID) (1 Sided Friction) 2007-Up	5	
45120C	Steel, 6L80/6L90 2-6 Clutch (.087") (24 Teeth) (6 5/8"ID) 2006-Up (6L80 Takes 5, 6L90 Takes 6)	5-6	
45121B	Steel, 6L50 2-6 Clutch (.060") (12 Teeth) (6 3/8"ID) (Waved) 2007-Up	1	
45121C	Steel, 6L80/6L90 2-6 Clutch (.060") (12 Teeth) (6 5/8"ID) (Waved) 2006-Up	1	
45124B	Steel, 6L50 1-2-3-4 Clutch (.068") (9 Teeth) (6 1/8"ID) 2007-Up	5	
45124C	Steel, 6L80/6L90 1-2-3-4 Clutch (.068") (9 Teeth) (6 3/8"ID) 2006-Up (6L80 Takes 5, 6L90 Takes 6)	5-6	
45125B	Steel, 6L50 1-2-3-4 Clutch (.067") (9 Teeth) (6 1/8"ID) (Wavy) 2007-Up	1	
45125C	Steel, 6L80 1-2-3-4 Clutch (.053") (9 Teeth) (6 3/8"ID) (Wavy) 2006-Up	1	
45125D	Steel, 6L90 1-2-3-4 Clutch (.053") (9 Wide & 18 Narrow Teeth) (6 3/8"ID) (Wavy) 2007-Up (Can Use 45125C)	1	
45126B	Steel, 6L50 3-5 Reverse Clutch (.098") (36 Teeth) (6 3/8"ID) 2007-Up	4	
45126C	Steel, 6L80/6L90 3-5 Reverse Clutch (.106") (36 Teeth) (6 3/4"ID) 2006-Up (6L80 Takes 4, 6L90 Takes 5)	4-5	
45127B	Steel, 6L50 3-5 Reverse Clutch (.054") (6 Teeth) (6 3/8"ID) (Wavy) 2007-Up	1	
45127C	Steel, 6L80 3-5 Reverse Clutch (.054") (12 Teeth) (6 3/4"ID) (Wavy) 2006-Up	1	
45127D	Steel, 6L90 3-5 Reverse Clutch (.054") (18 Teeth) (6 3/4"ID) (Wavy) 2007-Up (Can Use 45127C)	1	
45128B	Friction, 6L50 4-5-6 Clutch (.079") (36 External Teeth) (1 Sided) (4.130"ID) 2007-Up	5	
45128C	Steel, 6L80/6L90 4-5-6 Clutch (.087") (36 Teeth) (4.255"ID) 2006-Up (6L80 Takes 6, 6L90 Takes 7)	6-7	
45129B	Steel, 6L50 4-5-6 Clutch (.075") (12 Teeth) (4.135"ID) (Wavy) 2007-Up	1	
45129C	Steel, 6L80/6L90 4-5-6 Clutch (.063")(12 Teeth) (4.250"ID) (Wavy) 2006-Up	1	
45134B	Steel, 6L50 Low/Rev Clutch (.068")(24 Teeth) (6 3/16"ID) 2007-Up	6	
45134C	Steel, 6L80/6L90 Low/Reverse Clutch (.068") (36 Teeth) (6"ID) 2006-Up (6L80 Takes 5, 6L90 Takes 6)	5-6	
45135B	Steel, 6L50 Low/Reverse Clutch (.068") (8 Teeth) (6 3/16"ID) (Waved) 2007-Up	1	
45135C	Steel, 6L80/6L90 Low/Reverse Clutch (.085") (18 Teeth) (6"ID) (Waved) 2006-Up	1	
45139C	Steel Module, 6L80 2006-Up	1	

PART #	PRESSURE PLATES	QTY	REFERENCE #
45140B	Pressure Plate, 6L50 2-6 Clutch (.195") (24 Teeth) (6 3/8"ID) (Stepped) 2007-Up	1	
45140C	Pressure Plate, 6L80/6L90 2-6 Clutch (.120") (24 Teeth) (6 5/8"OD) (Stepped) 2006-Up	1	
45144B	Pressure Plate, 6L50 1-2-3-4 Clutch (Top) (.280") (9 Teeth) (6 1/8"ID) 2007-Up	1	
45144C	Pressure Plate, 6L80/6L90 1-2-3-4 Clutch (.315") (9 Teeth) (6 3/8"ID) 2006-Up	1	
45146B	Pressure Plate, 6L50 3-5 Reverse Clutch (.323") (36 Teeth) (6 3/8"ID) 2007-Up	1	
45146C	Pressure Plate, 6L80/6L90 3-5 Reverse Clutch (.430") (36 Teeth) (6 3/4"ID) 2006-Up	1	

6L45 / 6L50 / 6L80 / 6L90



RWD 6 Speed

GM

PART #	PRESSURE PLATES (Continued)	QTY	REFERENCE #
--------	-----------------------------	-----	-------------

45148B	Pressure Plate, 6L50 4-5-6 Clutch (.198") (Stepped) (36 Teeth, 4.133"ID) 2007-Up	1	
45148B-1	Pressure Plate/Retainer, 6L50 4-5-6 Clutch (.150"Thick) (36 Teeth, 2.605"ID) 2007-Up	1	
45148C	Pressure Plate, 6L80/6L90 4-5-6 Clutch (.157") (Stepped) (36 Teeth, 4.255"ID) 2006-Up	1	
45148C-1	Pressure Plate/Retainer, 6L80/6L90 4-5-6 Clutch (.300"Thick) (36 Teeth, 2.605"ID) 2006-Up	1	
45154B	Pressure Plate, 6L50 Low/Reverse Clutch (.312") (24 Teeth) (6 3/16"ID) 2007-Up	1	
45154C	Pressure Plate, 6L80/6L90 Low/Reverse Clutch (.230") (36 Teeth) (6"ID) (Stepped) 2006-Up	1	

PART #	SEALING RINGS	QTY	REFERENCE #
--------	---------------	-----	-------------

45175AT	Ring Kit, 6L45/6L50 2007-Up	1	
45175CT	Ring Kit, 6L80/6L90 2006-Up	1	
45176BT	Ring, 6L50/6L80/6L90 Outer Slide (.074"Thick, 4.240"OD) (Teflon) 2006-Up	1	
45177BT	Ring, 6L50 4-5-6 Clutch Drum Input Shaft (1.155"OD) (Solid) (Teflon) 2007-Up	3	
45177CT	Ring, 6L80/6L90 4-5-6 Clutch Drum Input Shaft (1.385"OD) (Solid) (Teflon) 2006-Up	3	
45179BV	Ring, 6L50 Stator (.104"Thick, W/2 Inside Diameter Ears) (Vespel) 2007-Up	3	
45179CV	Ring, 6L80/6L90 Stator (.096"Thick, No Ears) (Vespel) 2006-Up	3	

PART #	WASHERS & BEARINGS	QTY	REFERENCE #
--------	--------------------	-----	-------------

45211B	Washer, 6L50/6L80/6L90 Stator To 1-2-3-4 & 3-5 Reverse Clutch Drum (.060"Thick, 3.855"OD, 3.270"ID) (W/2 Split Tabs) (Plastic) 2006-Up	1	
45226B	Bearing W/Races, 6L50 2-6 & Low/Reverse Support To Front Output Planet Sun Gear (.141"Thick, 2.520"OD, 1.740"ID) 2007-Up	1	
45226C	Bearing W/Races, 6L80/6L90 2-6 & Low/Reverse Support To Front Output Planet Sun Gear (.141"Thick, 2.735"OD, 1.880"ID) 2006-Up	1	
45228B	Caged Needle Bearing, 6L50/6L80/6L90 1-2-3-4 & 3-5 Reverse Drum (Front) (42 Needles, 3.405"OD, 3.250"ID) 2006-Up	1	
45232B	Bearing W/Races, 6L50/6L80/6L90 4-5-6 Clutch Drum To Hub (.140"Thick 1.330"OD, .690"ID) (W/3 Ears) 2006-Up	1	
45235B	Race, 6L50/6L80/6L90 4-5-6 Clutch Hub To 1-2-3-4 Clutch Hub (Cupped) (2.265"OD, 1.385"ID) 2006-Up	1	
45236B	Bearing W/Race, 6L50/6L80/6L90 4-5-6 Clutch Hub To 1-2-3-4 Clutch Hub (2.465"OD, 1.100"ID) 2006-Up	1	
45238B	Washer, 6L50/6L80 Input Planet To 4-5-6 Clutch Drum (.062"Thick, 3.540"OD, 2.985"ID) (4 Tab, 2 Tabs Are Split) 2006-Up	1	
45238D	Washer, 6L90 Input Planet To 4-5-6 Clutch Drum (.062"Thick, 3.540"OD, 2.985"ID) (6 Tab, 2 Tabs Are Split) 2007-Up	1	
45241B	Bearing W/Races, 6L50/6L80/6L90 Input Sun Gear To 4-5-6 Clutch Drum (.190"Thick, 2.592"OD, 1.860"ID) 2006-Up	1	
45243B	Bearing W/Races, 6L50/6L80/6L90 1-2-3-4 Clutch Hub To 3-5 Reverse Clutch Hub (.320"Thick, 2.505"OD, 1.545"ID) 2006-Up	1	
45244B	Bearing W/Races, 6L50/6L80/6L90 3-5 Reverse & 2-6 Clutch Hub To 2-6 & Low/Reverse Support (.250"Thick, 2.830"OD, 2.050"ID) 2006-Up	1	
45246B	Bearing W/Races, 6L50 Front Output Sun Gear To Rear Output Sun Gear (.160"Thick, 2.185"OD, 1.305"ID) 2007-Up	1	
45246C	Bearing W/Races, 6L80/6L90 Front Output Sun Gear To Rear Output Sun Gear (.220"Thick, 2.480"OD, 1.430"ID) 2006-Up	1	
45250B	Caged Needle Brg, 6L50 Output Planet (Front) (.335"Thick, 2.680"OD) (32 Needles) (Cast # 24225777) 2007-Up	1	
45250C	Caged Needle Bearing, 6L80/6L90 Output Planet (Front) (.335"Thick, 3.200"OD) (37 Needles) (Cast # 24224853) 2006-Up	1	
45251B	Bearing W/Races, 6L50 Output Planet To Output Shaft (.197"Thick, 2.220"OD, 1.265"ID) 2007-Up	1	
45251C	Bearing W/Races, 6L80/6L90 Output Planet To Output Shaft (.197"Thick, 2.490"OD, 1.515"ID) 2006-Up	1	
45260B	Bearing W/Races, 6L50/6L80/6L90 Output Shaft To Case (.152"Thick, 3.365"OD, 2.500"ID) 2006-Up	1	
45263B	Caged Needle Bearing, 6L50 Case To Output Shaft (.810"Wide, 2.040"OD) (Cast # DB-603-814 Torrington) 2007-Up	1	
45271B	Caged Needle Bearing, 6L50 Extension Housing (2WD W/Bolt-On Yoke) (43 Needles) (2.050"OD) (Cast # FC69886 INA) 2007-Up	1	

PART #	GASKETS & RUBBER COMPONENTS	QTY	REFERENCE #
--------	-----------------------------	-----	-------------

45300BW	Gasket, 6L50 Pan (17 Bolt) (16 3/4"Long) (Bonded Rubber) 2007-Up	1	
45300CW	Gasket, 6L80 Pan (18 Bolt) (16 3/4"Long) (Bonded Rubber) 2006-Up	1	
45300DW	Gasket, 6L90 Pan (18 Bolt) (18 1/8"Long) (Bonded Rubber) 2007-Up	1	

45311B	O-Ring, 6L50 Bell Housing (Pump Body) To Case (9 1/2"OD) 2007-Up	1
45311C	O-Ring, 6L80/6L90 Bell Housing (Pump Body) To Case (10 1/2"OD) 2006-Up	1
45313B	O-Ring, 6L50/6L80/6L90 Outer Slide (.095"Thick, 4.240"OD) 2006-Up	1
54314B	Seal, 6L50/6L80/6L90 Pump Slide (Rubber) 2006-Up	1
54315B	Seal, 6L50/6L80/6L90 Pump Slide (Teflon) 2006-Up	1
45320B	Gasket, 6L50 Valve Body (Bonded To Spacer Plate) 2007-Up	1
45320C	Gasket, 6L80/6L90 Valve Body (Bonded To Valve Body Plate) 2006-Up	1
45342B	Boot Seal, 6L50/6L80/6L90 Valve Body To 2-6 & Low/Reverse Support (4 Inline Rubber Boots) 2006-Up	1
45348B	Lathe Cut Seal, 6L50 Extension Housing To Case (5.695"OD) 2007-Up	1
45348C	Lathe Cut Seal, 6L80/6L90 Extension Housing To Case (6 9/16"OD) 2006-Up	1
64380	O-Ring, 6L50 Input Shaft 2007-Up	1
34380	O-Ring, 6L80/6L90 Input Shaft 2006-Up	1

PART #	TECHNICAL MANUALS	QTY	REFERENCE #
45400B	Technical Manual, 6L80 (ATSG)	1	

PART #	ELECTRICAL COMPONENTS	QTY	REFERENCE #
45410B	Neutral Safety Switch, 6L50/6L80/6L90 (6 Wire Green Connector) (6" Long Wire Harness) 2006-Up	1	
45420B	Solenoid Assembly, 6L50/6L80/6L90 (8 Enclosed Solenoids, 16 Pin Connector) 2006-Up	1	
45438B	Sensor, 6L50/6L80/6L90 Input & Output Speed (W/3 Wire Connector) 2006-Up	1	
45444B	Case Connector, 6L50/6L80/6L90 (Black Plastic)(1.920" Long)(Uses 3 O-Rings) 2006-Up	1	

PART #	MISCELLANEOUS COMPONENTS	QTY	REFERENCE #
45476B	Spacer, 6L50 Output Planet Ring Gear (.275"Thick, 5 5/16"ID) 2007-Up	1	
45476C	Spacer, 6L80/6L90 Output Planet Ring Gear (.250"Thick, 6 1/2"ID) 2006-Up	1	

PART #	HARDPARTS	QTY	REFERENCE #
45520B	Stator, 6L50 Pump (8 7/8" Tall, 27 Splines)(Aluminum Ring Lands) 2007-Up	1	
45520C	Stator, 6L80/6L90 Pump (9 1/8" Tall, 36 Splines) (Steel Ring Lands) 2006-Up	1	

PART #	PUMP COMPONENTS	QTY	REFERENCE #
45532B	Rotor, 6L50/6L80/6L90 Pump (13 Vane)(.708"Thick, 3.415"OD, 1.832"ID) 2006-Up	1	
45533B	Vane, 6L50/6L80/6L90 Pump (.079"Thick, .706" Tall, .534" Wide) 2006-Up	13	
45534B	Outer Slide, 6L50/6L80/6L90 Pump (.708"Thick, 3.695"ID) 2006-Up	1	
45535B	Pin, 6L50/6L80/6L90 Pump Slide Pivot Pin (Spring # 540 Locks Onto This Pin) 2006-Up	1	
45536B	Spring, 6L50/6L80/6L90 Outer Pump Slide (.675"OD, 1.900"Long) 2006-Up	1	
45538B	Ring, 6L50/6L80/6L90 Pump Vane (.102"Thick, 2.625"OD, 2.355"ID) 2006-Up	2	
45539B	Rotor Guide, 6L50/6L80/6L90 Pump (13 Vane, 12 Openings) (1.845"ID) 2006-Up	1	
45540B	Spring, 6L50/6L80/6L90 Pump Slide Pivot Spring (Locks Onto The Pivot Pin) (.317"Long) (.275"OD) 2006-Up	1	

PART #	HARDPARTS (CONTINUED)	QTY	REFERENCE #
45548B	Apply Ring, 6L50 3-5 Reverse Clutch (1.815"Thick, 7 1/8"OD) (Cast # 225748) 2007-Up	1	
45548C	Apply Ring, 6L80 3-5 Reverse Clutch (1.840"Thick, 7 5/8"OD) (Cast # 24633) 2006-Up	1	
45548D	Apply Ring, 6L90 3-5 Reverse Clutch (2.000"Thick, 7 5/8"OD) (Cast # 26735) 2007-Up	1	
45554B	Drum, 6L50 4-5-6 Clutch W/Shaft (5 Clutch) (13 5/8" Long, 5.405"OD) (3.960" Wide) (W/89 Teeth Ring Gear) 2007-Up	1	
45554C	Drum, 6L80 4-5-6 Clutch W/Shaft (6 Clutch) (13 5/8" Long, 5.640"OD) (3.750" Wide) (W/93 Teeth Ring Gear) 2006-Up	1	
45554D	Drum, 6L90 4-5-6 Clutch W/Shaft (7 Clutch) (13 3/4" Long, 5.640"OD) (3.810" Wide) (W/93 Teeth Ring Gear) 2007-Up	1	
45555B	Drum, 6L50 1-2-3-4 & 3-5 Reverse Clutch (7 3/4"OD) 2007-Up	1	
45555C	Drum, 6L80 1-2-3-4 & 3-5 Reverse Clutch (8 5/16"OD, 4.555" Tall) 2006-Up	1	
45555D	Drum, 6L90 1-2-3-4 & 3-5 Reverse Clutch (8 5/16"OD, 4.930" Tall) 2007-Up	1	
45560B	Piston Kit, 6L50 2-6 Clutch (7 1/4"OD Bonded Piston) 2007-Up	1	
45560C	Piston Kit, 6L80/6L90 2-6 Clutch (7 3/4"OD Bonded Piston) 2006-Up	1	
45564B	Piston Kit, 6L50 4-5-6 Clutch (Bonded) 2007-Up	1	
45564C	Piston Kit, 6L80/6L90 4-5-6 Clutch (Bonded) 2006-Up	1	
45565B	Piston Kit, 6L50 1-2-3-4 & 3-5 Reverse Clutch 2007-Up	1	
45565C	Piston Kit, 6L80/6L90 1-2-3-4 & 3-5 Reverse Clutch 2006-Up	1	
45567B	Piston Kit, 6L50 Low/Reverse Clutch (.605"Thick Bonded Piston) 2007-Up	1	
45567C	Piston Kit, 6L80/6L90 Low/Reverse Clutch (.705"Thick Bonded Piston) 2006-Up	1	

6L45 / 6L50 / 6L80 / 6L90



RWD 6 Speed

GM

PART #	HARDPARTS (CONTINUED)	QTY	REFERENCE #
45574B	Hub W/Shaft, 6L50 4-5-6 Clutch (9"Long, 4.020"OD) (.855"OD Shaft) 2007-Up	1	
45574C	Hub W/Shaft, 6L80/6L90 4-5-6 Clutch (9 1/8"Long, 4.175"OD) (.950"OD Shaft) 2006-Up	1	
45575B	Hub W/Hollow Shaft, 6L50 1-2-3-4 Clutch (10 3/8" Tall, 6"OD) 2007-Up	1	
45575C	Hub W/Hollow Shaft, 6L80/6L90 1-2-3-4 Clutch (11" Tall, 6 3/16"OD) 2006-Up	1	
45578B	Hub W/Hollow Shaft, 6L50 3-5 Reverse & 2-6 Clutch (7 5/8" Tall, 6 3/16"OD) 2007-Up	1	
45578C	Hub W/Hollow Shaft, 6L80/6L90 3-5 Reverse & 2-6 Clutch (8" Tall, 6 1/2"OD) 2006-Up	1	
45582B	Planet, 6L50 Input (4 Gear, Steel) (20 Teeth Pinions) (4.130"OD) 2007-Up	1	
45582C	Planet, 6L80 Input (4 Gear, Steel) (22 Teeth Pinions) (4.480"OD) 2006-Up	1	
45582D	Planet, 6L90 Input (6 Gear, Steel) (22 Teeth Pinions) (4.480"OD) 2007-Up	1	
45584B	Planet, 6L50 Output (4.740"Thick Through Center, 5.040"OD) (34 Outer Lugs) 2007-Up	1	
45584C	Planet, 6L80 Output (4.675"Thick Through Center, 6 5/16"OD) (No Outer Lugs) 2006-Up	1	
45584D	Planet, 6L90 Output (5.195"Thick Through Center, 6 5/16"OD) (No Outer Lugs) 2007-Up	1	
45594B	Ring Gear, 6L50 Output Planet (Front) (97 Teeth) (.885"Thick) 2007-Up	1	
45594B-1	Ring Gear, 6L50 Output Planet (Rear) (97 Teeth) (1.450"Thick) 2007-Up	1	
45594C	Ring Gear, 6L80 Output Planet (Front) (92 Teeth) (.830"Thick) 2006-Up	1	
45594C-1	Ring Gear, 6L80 Output Planet (Rear) (92 Teeth) (1.260"Thick) 2006-Up	1	
45594D	Ring Gear, 6L90 Output Planet (Front) (92 Teeth) (.945"Thick) 2007-Up	1	
45594D-1	Ring Gear, 6L90 Output Planet (Rear) (92 Teeth) (1.600"Thick) 2007-Up	1	
45612B	Sun Gear, 6L50 Input Planet (49 Teeth, 1.025"Thick, 2.450"OD) 2007-Up	1	
45612C	Sun Gear, 6L80/6L90 Input Planet (50 Teeth, 1.045"Thick, 2.540"OD) 2006-Up	1	
45614B	Sun Gear, 6L50 Output Planet (Front) (47 Teeth) (1 Wide & 1 Narrow Groove) (2.570"OD) 2007-Up	1	
45614B-1	Sun Gear, 6L50 Output Planet (Rear) (37 Teeth) (2 Narrow Grooves) (2.050"OD) 2007-Up	1	
45614C	Sun Gear, 6L80/6L90 Output Planet (Front) (46 Teeth) (1 Wide Groove) (3.115"OD) 2006-Up	1	
45614C-1	Sun Gear, 6L80 Output Planet (Rear) (35 Teeth) (1 Narrow Groove) (1.275"Thick, 2.500"OD) 2006-Up	1	
45614D-1	Sun Gear, 6L90 Output Planet (Rear) (35 Teeth) (2 Narrow Grooves) (1.720"Thick, 2.500"OD) 2007-Up	1	
45632B	Support, 6L50 2-6 & Low/Reverse (6 Clutch Low/Reverse) (5.555" Tall At The Edge) (Aluminum) 2007-Up	1	
45632C	Support, 6L80 2-6 & Low/Reverse (5 Clutch Low/Reverse) (5.035" Tall At The Edge) (Aluminum) 2006-Up	1	
45632D	Support, 6L90 2-6 & Low/Reverse (6 Clutch Low/Reverse) (5.315" Tall At The Edge) (Aluminum) 2007-Up	1	
45644B	Sprag Assembly, 6L50 Low (30 Element) 2007-Up	1	
45644C	Sprag Assembly, 6L80 Low (38 Element) 2006-Up	1	
45644D	Sprag Assembly, 6L90 Low (30 Element) 2007-Up	1	
45678B	Output Shaft, 6L50 2WD (11" Overall Length) (6 1/4"OD Shell)(44 Splines)(Bolt On Type Yoke) 2007-Up	1	
45678C	Output Shaft, 6L80 2WD (15 1/8" Overall Length) (7 1/2"OD Shell)(30 Splines) 2006-Up	1	
45678CB	Output Shaft, 6L80 4x4 (32 Splines) 2006-Up	1	
45678CC	Output Shaft, 6L80 (Corvette) (11 1/4" Overall Length) (5 3/4" Long Splines) (7 1/2"OD Shell) (32 Splines) 2006-Up	1	
45678D	Output Shaft, 6L90 4X4 (9 1/4" Overall Length) (7 1/2"OD Shell)(29 Splines) 2007-Up	1	
45740B	Valve Body, 6L50 2007-Up	1	
45740C	Valve Body, 6L80/6L90 2006-Up	1	

PART #	VALVE BODY COMPONENTS	QTY	REFERENCE #
45741B-5	Check Ball, 6L50/6L80/6L90 Valve Body (.250"OD White Plastic) 2006-Up	7	

PART #	HARDPARTS (CONTINUED)	QTY	REFERENCE #
45750B	Bell Housing, 6L50 (Pump Body) (5 1/8" Top Bolts) (Cast # 24242678) (W/Rotor Kit) 2007-Up	1	
45750BA	Bell Housing, 6L50 (Pump Body) (Cast # 24226870) (W/Rotor Kit) 2007-Up	1	
45750C	Bell Housing, 6L80 (Corvette) Rear Half (Pump Body) (2 5/8"Thick) (Cast # 24236119) (W/Rotor Kit) 2006-Up	1	
45750C-1	Bell Housing, 6L80 (Corvette) Front Half (Cast # 24236121) 2006-Up	1	
45750D	Bell Housing, 6L90 (Chevy V-8) (Pump Body) (Cast # 24239892) (W/Rotor Kit) 2007-Up	1	
45760B	Case, 6L50 (17 Pan Bolts) (16 3/4" From Bell To Extension Housing) (Has A Linkage Seal On Each Side) 2007-Up	1	
45760C	Case, 6L80 (18 Pan Bolts) (16 5/8" From Bell To Extension Housing) 2006-Up	1	
45760D	Case, 6L90 (18 Pan Bolts) (17 3/4" From Bell To Extension Housing) 2007-Up	1	
45765B	Pan, 6L50 (17 Bolt, W/Bottom Drain Plug) 2007-Up	1	
45765C	Pan, 6L80 (18 Bolt, W/Bottom Drain Plug) 2006-Up	1	
45765D	Pan, 6L90 (18 Bolt, No Drain Plug) 2007-Up	1	
45770C	Extension Housing, 6L80 4X4 (8 Bolts To Transfer Case) (Aluminum) (1 5/8"Thick) (Cast # 24226019) 2006-Up	1	

45770CA.....	Extension Housing, 6L80 4x4 (6 Bolts To Transfer Case)(Aluminum)(3 9/16"Thick) (Cast # 24237397) 2006-Up.....	1
45770CJ.....	Extension Housing, 6L80 2WD (5 7/8" Long) (2 Bolt Mount)(2.690"OD Rear Seal) 2006-Up	1
45777BK.....	Bolt Set, 6L50 Bell Housing To Case (7 Pieces) (13mm) 2007-Up	1
45777CK.....	Bolt Set, 6L80/6L90 Bell Housing To Case (8 Pieces) (15mm) 2006-Up	1
45778B-1.....	Bolt Set, 6L50/6L80/6L90 Stator Tube To Stator Body (6 Pieces) 2006-Up	1
45778BK.....	Bolt Set, 6L50/6L80/6L90 Stator To Bell Housing (13 Pieces) (8mm) 2006-Up.....	1
45779BK.....	Bolt Set, 6L50 Bottom Pan (17 Pieces) (10mm) 2007-Up	1
45779CK.....	Bolt Set, 6L80/6L90 Bottom Pan (18 Pieces) (10mm) 2006-Up	1
45781BK.....	Bolt Set, 6L50/6L80/6L90 Extension Housing To Case (6 Pieces) 2006-Up	1
45791BK.....	Bolt Set, 6L50/6L80/6L90 Valve Body To Case (6 Pieces) 2006-Up	1
45798B.....	Nut, 6L50 Yoke To Output Shaft (30mm) 2007-Up	1
45841B.....	Yoke, 6L50 Drive Shaft (3 Hole, 1.670"OD, 2.190" Tall) 2007-Up	1
45861B.....	Snap Ring, 6L50 Holds 2-6 Clutch Pressure Plate In 2-6 & Low/Reverse Support (.094"Thick, 7 7/8"OD) 2007-Up.....	1
45861C.....	Snap Ring, 6L80/6L90 Holds 2-6 Clutch Pressure Plate In 2-6 & Low/Reverse Support (.080"Thick, 8 3/8"OD) 2006-Up.....	1
45862B.....	Snap Ring, 6L50 Holds 2-6 Clutch Return Spring In (.117"Thick, 8"OD, .202"Wide) (Beveled) 2007-Up	1
45862C.....	Snap Ring, 6L80/6L90 Holds 2-6 Clutch Return Spring In (.117"Thick 8 3/4"OD, .154"Wide) (Beveled) 2006-Up	1
45872B.....	Snap Ring, 6L50/6L80/6L90 Holds 1-2-3-4 Clutch Piston In Drum (.066"Thick, 3.175"OD) 2006-Up	1
45873B.....	Snap Ring, 6L50 Holds 1-2-3-4 Clutch Pressure Plate In (.134"Thick, 8 1/4"OD) 2007-Up	1
45873C.....	Snap Ring, 6L80/6L90 Holds 1-2-3-4 Clutch Pressure Plate In (.118"Thick, 8 3/4"OD) 2006-Up ..	1
45873CB.....	Snap Ring, 6L80/6L90 Holds 1-2-3-4 Clutch Pressure Plate In (.129"Thick, 8 3/4"OD) 2006-Up ..	1
45874B.....	Snap Ring, 6L50/6L80/6L90 Holds 1-2-3-4 Clutch Spring Retainer In Drum (.047"Thick, 2.675"OD) 2006-Up.....	1
45875B.....	Snap Ring, 6L50/6L80/6L90 Holds Dampener In 4-5-6 Hub (.059"Thick, 4.065"OD) (Waved) 2006-Up	1
45876B.....	Snap Ring, 6L50 Holds 4-5-6 Clutch Pressure Plate In (.134"Thick, 5.455"OD) 2007-Up	1
45876C.....	Snap Ring, 6L80/6L90 Holds 4-5-6 Clutch Pressure Plate In (Selective) (5.730"OD) 2006-Up	1
45877B.....	Snap Ring, 6L50 Holds 4-5-6 Clutch Bonded Retainer In Drum (.077"Thick, 1.240"OD) (W/2 Eyelets) 2007-Up.....	1
45877C.....	Snap Ring, 6L80/6L90 Holds 4-5-6 Clutch Bonded Retainer In Drum (.077"Thick, 1.370"OD) (W/2 Eyelets) 2006-Up.....	1
45878B.....	Snap Ring, 6L50 Holds 3-5 Reverse Clutch Pressure Plate In (.107"Thick, 8 1/4"OD) 2007-Up ...	1
45878C.....	Snap Ring, 6L80/6L90 Holds 3-5 Reverse Clutch Pressure Plate In (.087"Thick, 8 3/8"OD) 2006-Up	1
45878CB.....	Snap Ring, 6L80/6L90 Holds 3-5 Reverse Clutch Pressure Plate In (.097"Thick, 8 3/8"OD) 2006-Up	1
45883B.....	Snap Ring, 6L50 Holds 2-6 & Low/Reverse Support In Case (.140"Thick, 8 5/8"OD) (With 2 Eyelets) 2007-Up	1
45883C.....	Snap Ring, 6L80/6L90 Holds 2-6 & Low/Reverse Support In Case (.160"Thick, 9 1/8"OD) (With 2 Eyelets) 2006-Up	1
45884B-1.....	Snap Ring, 6L50 Holds Low Sprag Assembly To 2-6 & Low/Reverse Support (.059"Thick, 3.610"OD) 2007-Up.....	1
45884C.....	Snap Ring, 6L80/6L90 Holds Low Sprag To Outer Race (.046"Thick, 4.780"OD) 2006-Up	1
45884C-1.....	Snap Ring, 6L80/6L90 Holds Low Sprag To 2-6 & Low/Reverse Support (.059"Thick, 3.075"OD) 2006-Up	1
45885B.....	Snap Ring, 6L50 Holds Low/Reverse Clutch Pressure Plate In Support (.108"Thick, 7 3/8"OD) 2007-Up	1
45885C.....	Snap Ring, 6L80/6L90 Holds Low/Reverse Clutch Pressure Plate In Support (.092"Thick, 7 7/8"OD) 2006-Up.....	1
45889B.....	Snap Ring, 6L50 Holds Front Output Ring Gear To Output Shaft (Both Sides) (.097"Thick, 6 3/8"OD) 2007-Up.....	1
45889C.....	Snap Ring, 6L80/6L90 Holds Front Output Ring Gear To Output Shaft (Both Sides) (.083"Thick, 7 11/16"OD) 2006-Up.....	1
45898B.....	Snap Ring, 6L50/6L80/6L90 Holds Front Seal To Bell Housing (.060"Thick, 3.180"OD) 2006-Up ..	1
45956B.....	Piston/Housing, 6L50 1-2-3-4 Clutch (1.590"Thick, 6 5/8"OD, 3 1/8"ID) (Aluminum) 2007-Up	1
45956C.....	Piston/Housing, 6L80/6L90 1-2-3-4 Clutch (1.508"Thick, 7 1/8"OD, 3 1/8"ID) (Aluminum) 2006-Up	1
45960B.....	Piston, 6L50 2-6 Clutch (.830"Thick, 7 1/4"OD, 6 3/16"ID) (Bonded) (20 Notches) 2007-Up	1
45960C.....	Piston, 6L80/6L90 2-6 Clutch (.875"Thick, 7 15/16"OD, 6 1/2"ID) (Bonded) (18 Notches) 2006-Up	1
45960CK.....	Piston Kit, 6L80/6L90 (Bonded) (5 Pieces) 2006-Up	1
45962B.....	Piston, 6L50 1-2-3-4 Clutch (1.400"Thick, 6 5/8"OD, 3.030"ID) (Aluminum) (Cast # 24241073) 2007-Up	1
45962C.....	Piston, 6L80/6L90 1-2-3-4 Clutch (1.415"Thick, 7 1/8"OD, 3.030"ID) (Aluminum) (Cast # 24238700) 2006-Up.....	1

6L45 / 6L50 / 6L80 / 6L90



RWD 6 Speed

GM

PART #	HARDPARTS (CONTINUED)	QTY	REFERENCE #
45964B	Piston, 6L50 4-5-6 Clutch (.965"Thick, 4.600"OD, 1.335"ID) (Bonded) 2007-Up	1	
45964C	Piston, 6L80/6L90 4-5-6 Clutch (.805"Thick, 4.960"OD, 1.445"ID) (Bonded) 2006-Up	1	
45965B	Piston, 6L50 3-5 Reverse Clutch (1.400" Tall, 7 1/4"OD, 5.150"ID) (Cast # 24238561) 2007-Up	1	
45965C	Piston, 6L80/6L90 3-5 Reverse Clutch (1.500" Tall, 7 3/4"OD, 5.600"ID) (Cast # 24238697)		
	2006-Up	1	
45967B	Piston, 6L50 Low/Reverse Clutch (.605"Thick, 7"OD, 4 5/8"ID) (Bonded) (8 Notches) 2007-Up	1	
45967C	Piston, 6L80/6L90 Low/Reverse Clutch (.705"Thick, 7"OD, 3 3/8"ID) (Bonded) (12 Notches)		
	2006-Up	1	
45970B	Spring, 6L50 2-6 Clutch Return (.053"Thick, 7 1/4"OD) (20 Fingers) 2007-Up	1	
45970C	Spring, 6L80/6L90 2-6 Clutch Return (.062"Thick, 7 15/16"OD) (18 Fingers) 2006-Up	1	
45972B	Spring, 6L50 1-2-3-4 Clutch Return (.061"Thick, 5.210"OD) (12 Fingers) 2007-Up	1	
45972C	Spring, 6L80/6L90 1-2-3-4 Clutch Return (.061"Thick, 5.405"OD) (12 Fingers) 2006-Up	1	
45974B	Spring, 6L50 4-5-6 Clutch Return (.068"Thick, 4.335"OD) (10 Fingers) 2007-Up	1	
45974C	Spring, 6L80/6L90 4-5-6 Clutch Return (.075"Thick, 4.710"OD) (10 Fingers) 2006-Up	1	
45975B	Spring, 6L50 3-5 Reverse Clutch (6 3/8"OD) (16 Fingers) 2007-Up	1	
45975C	Spring, 6L80/6L90 3-5 Reverse Clutch (6 13/16"OD) (16 Fingers) 2006-Up	1	
45977B	Spring, 6L50 Low/Reverse Clutch Return (.062"Thick, 5.652"OD) (16 Fingers) 2007-Up	1	
45977C	Spring, 6L80/6L90 Low/Reverse Clutch Return (.069"Thick, 5.335"OD) (12 Fingers) 2006-Up	1	
45982B	Retainer/Piston, 6L50 1-2-3-4 Clutch Spring (Bonded) (5.305"OD, 2.705"ID) 2007-Up	1	
45982C	Retainer/Piston, 6L80/6L90 1-2-3-4 Clutch Spring (Bonded) (5.435"OD, 2.705"ID) 2006-Up	1	
45984B	Retainer/Piston, 6L50 4-5-6 Clutch Return Spring (Bonded) (.880"Thick, 4.365"OD, 1.100"ID)		
	2007-Up	1	
45984C	Retainer/Piston, 6L80/6L90 4-5-6 Clutch Return Spring (Bonded) (.810"Thick, 4.760"OD, 1.200"ID) 2006-Up	1	
45991B-2	Detent Spring, 6L50/6L80/6L90 Rooster Comb (6 1/4"Long) 2006-Up	1	
45991B-3	Rooster Comb, 6L50/6L80/6L90 2006-Up	1	
45991B-4	Manual Shaft, 6L50 (10 3/16" Long) 2007-Up	1	
45991C-4	Manual Shaft, 6L80/6L90 (3 7/8" Long) 2006-Up	1	
45994B	Park Rod Actuator, 6L50 (12 1/2"Long) 2007-Up	1	
45994C	Park Rod Actuator, 6L80 (12 3/4"Long) 2006-Up	1	
45994D	Park Rod Actuator, 6L90 (14" Long) 2007-Up	1	
45995B	Park Pawl Assembly, 6L50/6L80 (.350"Thick Park Pawl) 2006-Up	1	
45995D	Park Pawl Assembly, 6L90 (.435"Thick Park Pawl) 2007-Up	1	

**Technical Bulletin # 1067**Transmission: *6L80*Subject: *Erratic Shifts, Engine Stalls*Application: *2007 Escalade, Yukon*Issue Date: *February, 2007*

GM

6L80**Erratic Shifts, Engine Stalls, (Reprogram TCM and Perform Drive Procedure)**

2007 Cadillac Escalade, Escalade ESV, Escalade EXT

2007 GMC Yukon Denali, Yukon Denali XL with 6L80 Automatic Transmission (RPO MYC)

Built Prior to the Following VIN Breakpoints

Plant	VIN Breakpoint
Arlington	7R234718 (7/24/06)
Janesville	7J213410 (7/25/06)
Silao	7G157123 (8/01/06)

A hesitation, sag or lack of engine response while accelerating. This typically occurs after backing off the throttle then shortly stepping back in to a heavy or wide open throttle position. This condition may occur at any speed, but is most likely to occur after accelerating to 48 to 80 km/h (30 to 50 mph), backing off the throttle then stepping back in. A 1.5 to 2.5 second delay may occur before the vehicle resumes acceleration.

Frequent transmission shift cycling occurring on slight to moderate grades when in cruise control at vehicle speeds from 64 to 121 km/h (40 to 75 mph). The customer comment may include "too much vehicle speed variation from the desired cruise control seed setting" when the shift cycling is evident.

On the initial cold startup when ambient temperatures are below -22°C (-8°F) and an engine block heater is not used, the engine starts and may immediately stall. The engine will typically restart immediately and operate normally.

A revised transmission calibration has been developed to address these issues. Reprogram the transmission control module (TCM) with an updated software calibration. This new service calibration will be released with TIS satellite data update version 8.0 or later, available August 14, 2006. As always, make sure your Tech 2® is updated with the latest software version.