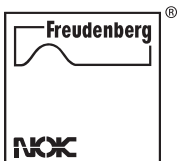
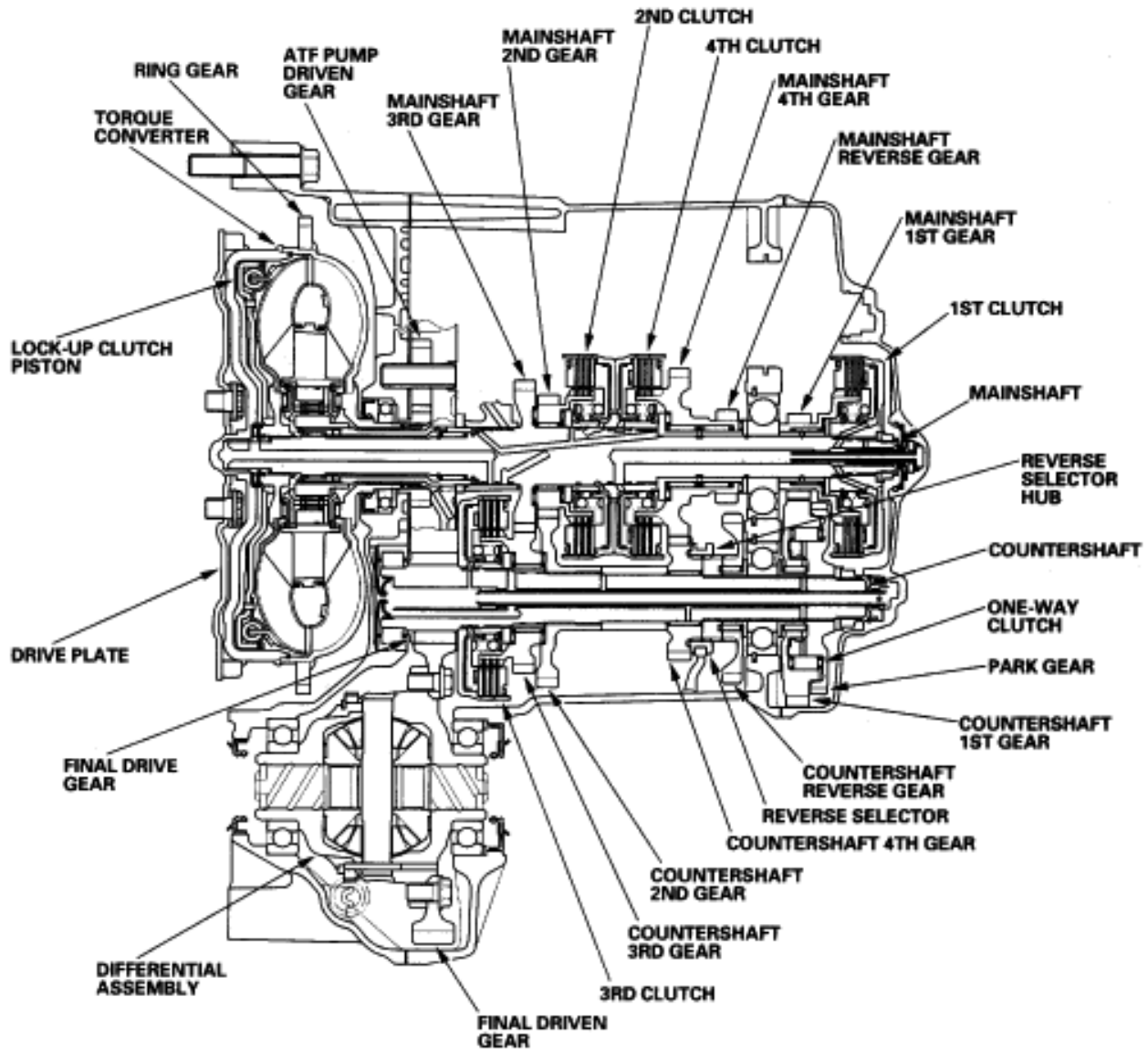


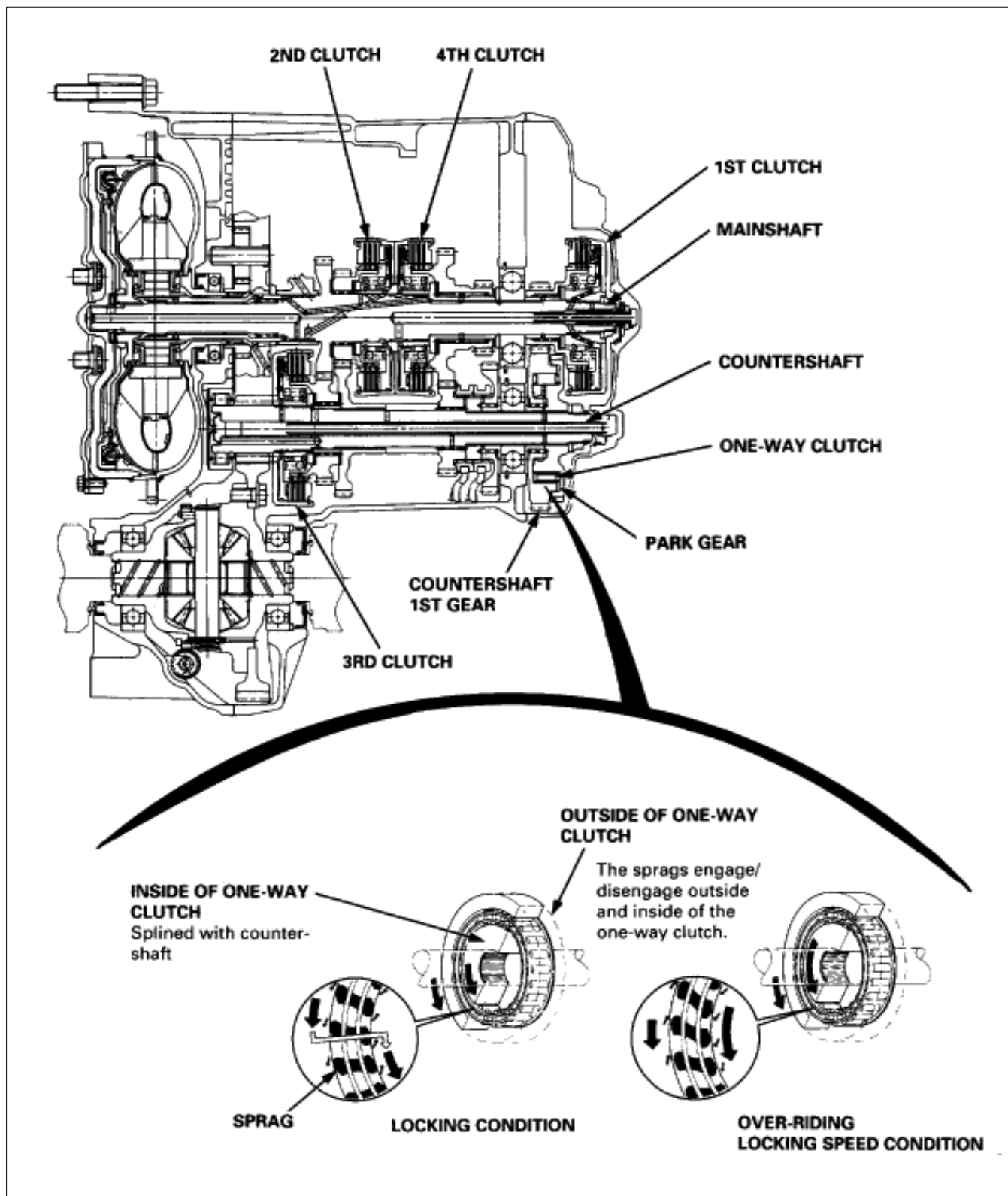
## HONDA 4-SPEED 1996-05 A4RA, B4RA, BDRA, BMXA, M4RA, S24A, S4RA, SLXA.

### BMXA SLXA TRANSMISSION CUTAWAY

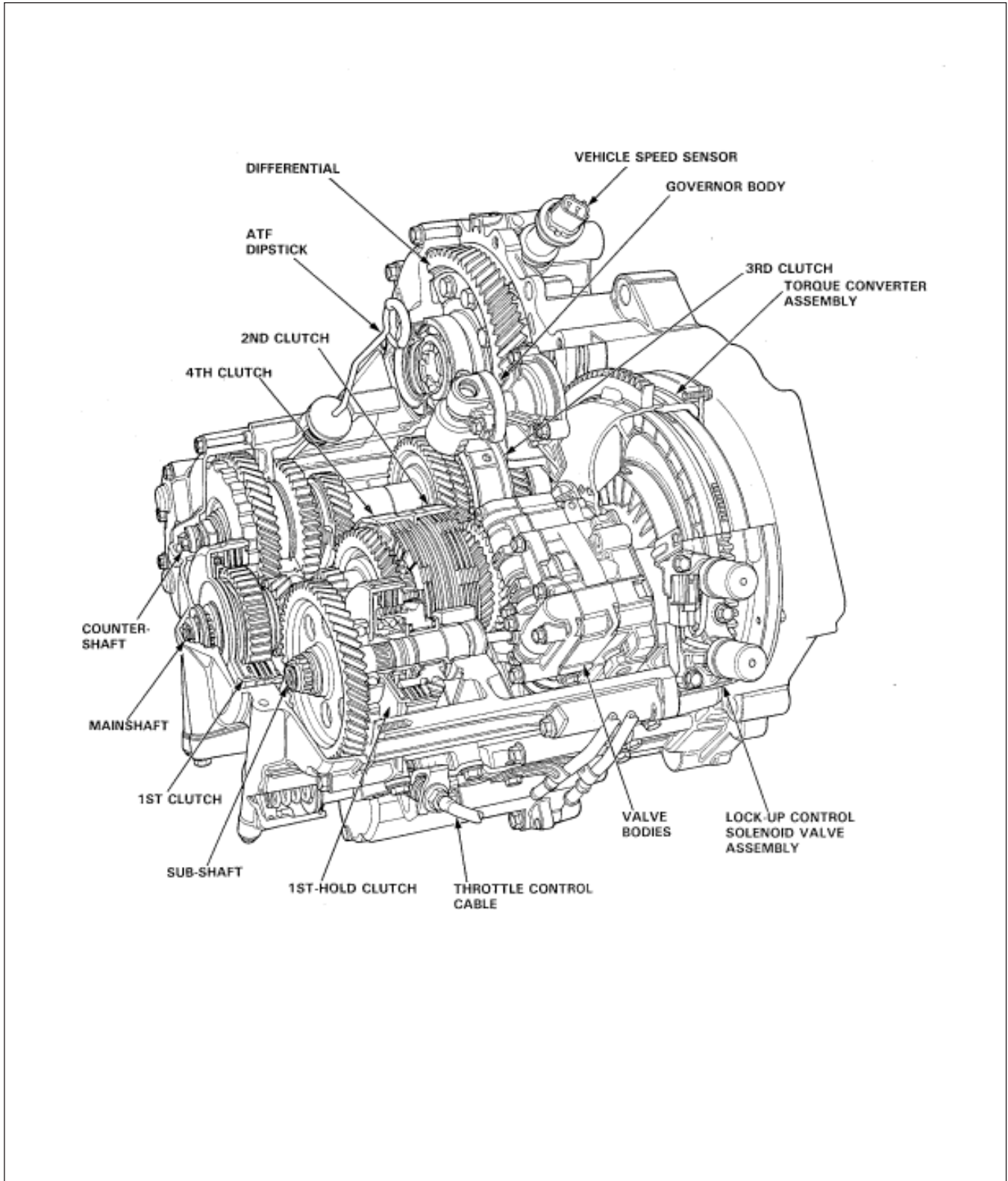


A Division of Freudenberg-NOK

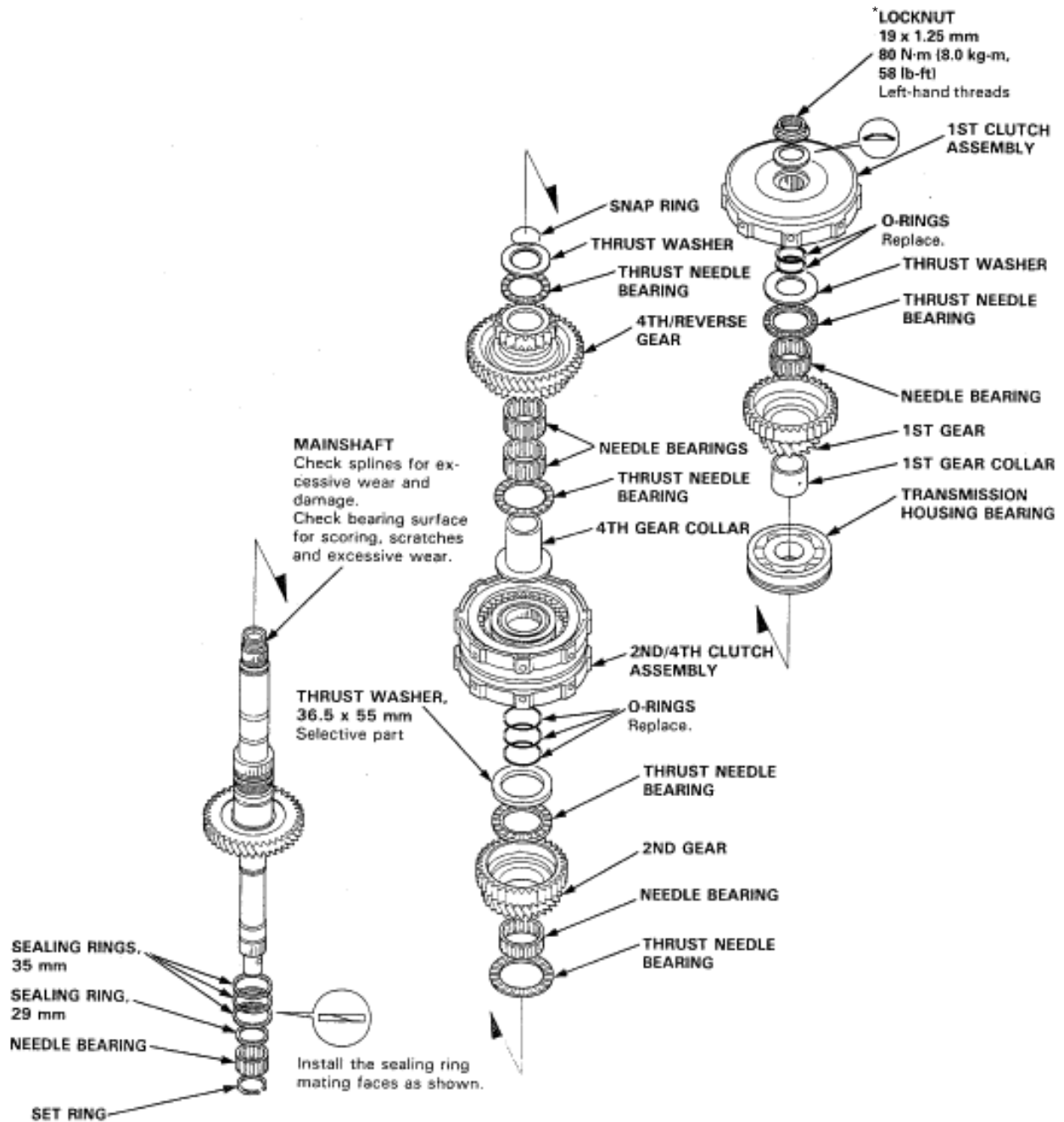
## A4RA B4RA BDRA M4RA S4RA TRANSMISSION CUTAWAY



### S24A TRANSMISSION CUTAWAY

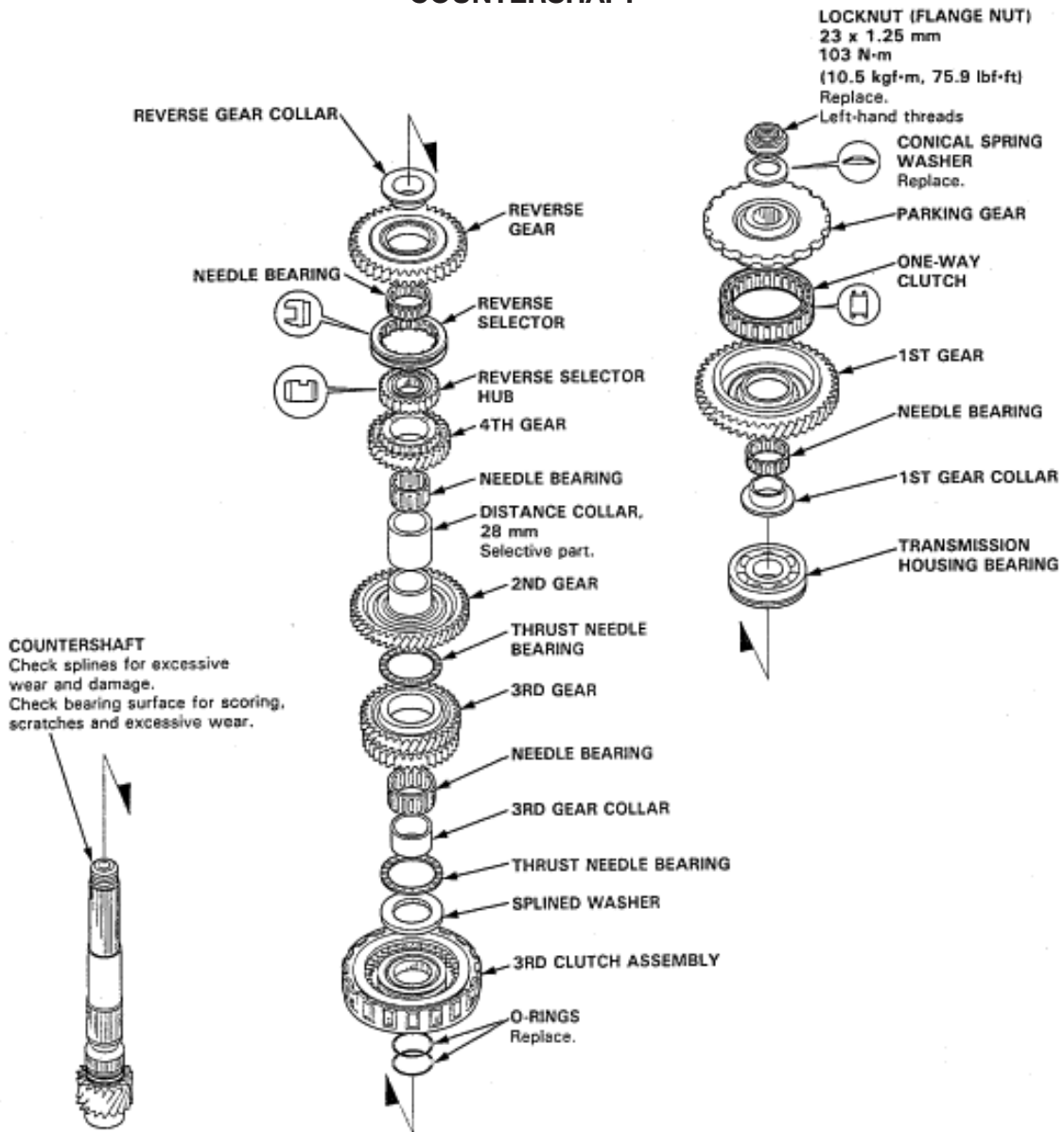


**MAINSHAFT**



\* A4RA, B4RA, BDRA, M4RA, S4RA, BMXA, SLXA Locknut is 21 x 1.25 mm (78 N-m)

### COUNTERSHAFT



#### Clutch Clearance

A4RA, B4RA, BDRA, M4RA, S4RA, BMXA, SLXA, S24A

Clutch	Standard
1st Clutch, 2nd Clutch	0.65-0.85 (0.026-0.033)
3rd Clutch, 4th Clutch	0.40-0.60 (0.016-0.024)
1st Hold Clutch (S24A Only)	0.50-0.80 (0.020-0.031)

#### Stall Speed BMXA, SLXA

Engine	Standard	Service Limit
D17A2	2,830 rpm	2,680-2,980 rpm
D17A1	2,780 rpm	2,630- 2,930 rpm

#### Stall Speed A4RA, B4RA, BDRA, M4RA, S4RA

Standard	Service Limit
2,700 rpm	2,560-2,850 rpm

#### Stall Speed S24A

Standard	Service Limit
2,700 rpm	2,500 – 2,900 rpm

### A4RA, B4RA, BDRA, M4RA, S4RA, S24A SHIFT CONTROL

Position	Gear	Shift Control Solenoid Valve A	Shift Control Solenoid Valve B
D <sub>4</sub> , D <sub>3</sub>	1st	OFF	ON
	2nd	ON	ON
	3rd	ON	OFF
D <sub>4</sub>	4th	OFF	OFF
2	2nd	ON	ON
R	Reverse	ON	OFF

### A4RA, B4RA, BDRA, M4RA, S4RA, S24A LOCKUP

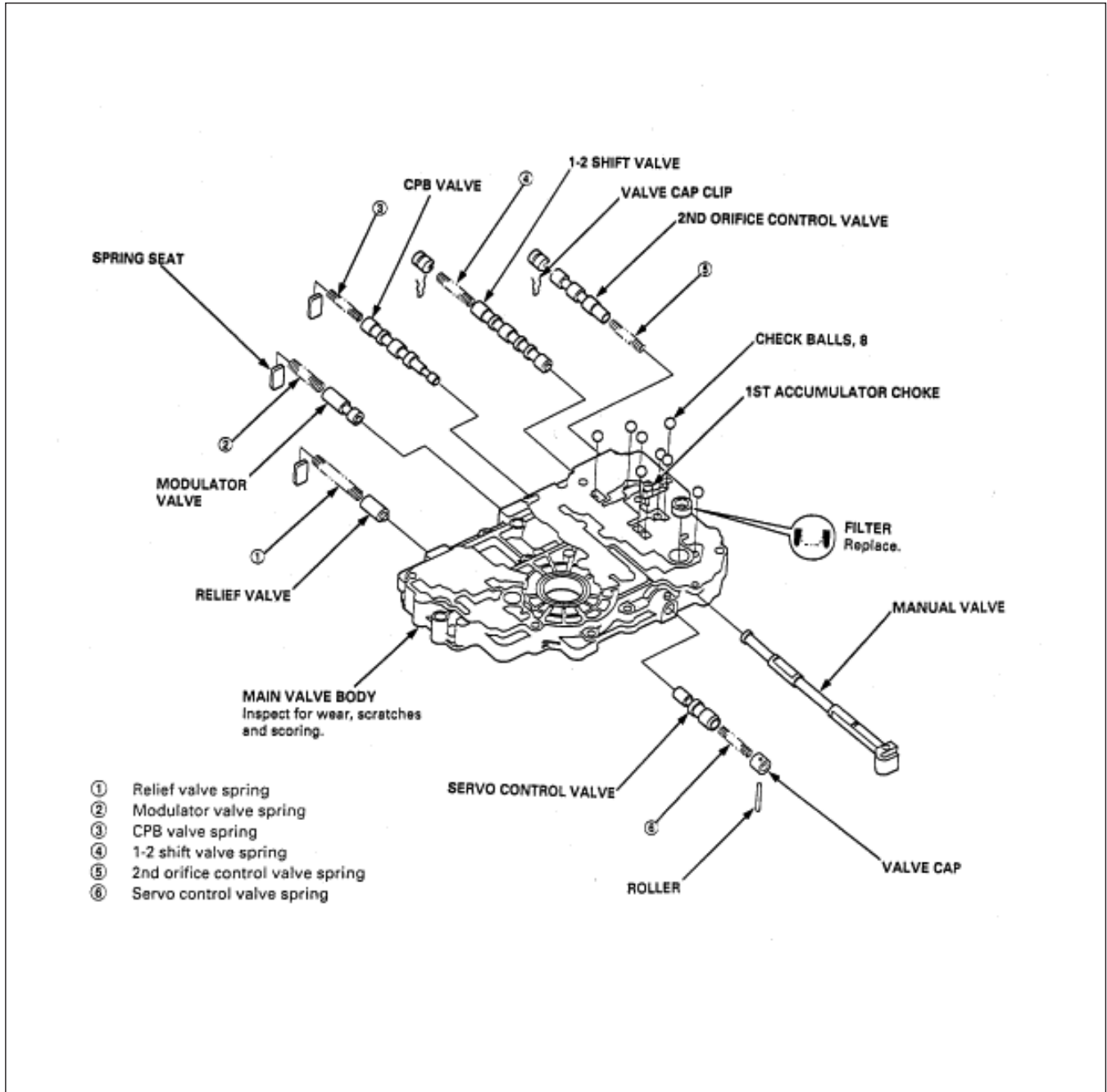
Lock-up Conditions	Lock-up Control Solenoid Valve A	Lock-up Control Solenoid Valve B	Linear Solenoid Pressure
Lock-up OFF	OFF	OFF	High
Lock-up, Half	ON	Duty operation OFF ↔ ON	Low
Lock-up, Full	ON	ON	High
Lock-up during deceleration	ON	Duty operation OFF ↔ ON	Low

### BMXA, SLXA SHIFT CONTROL

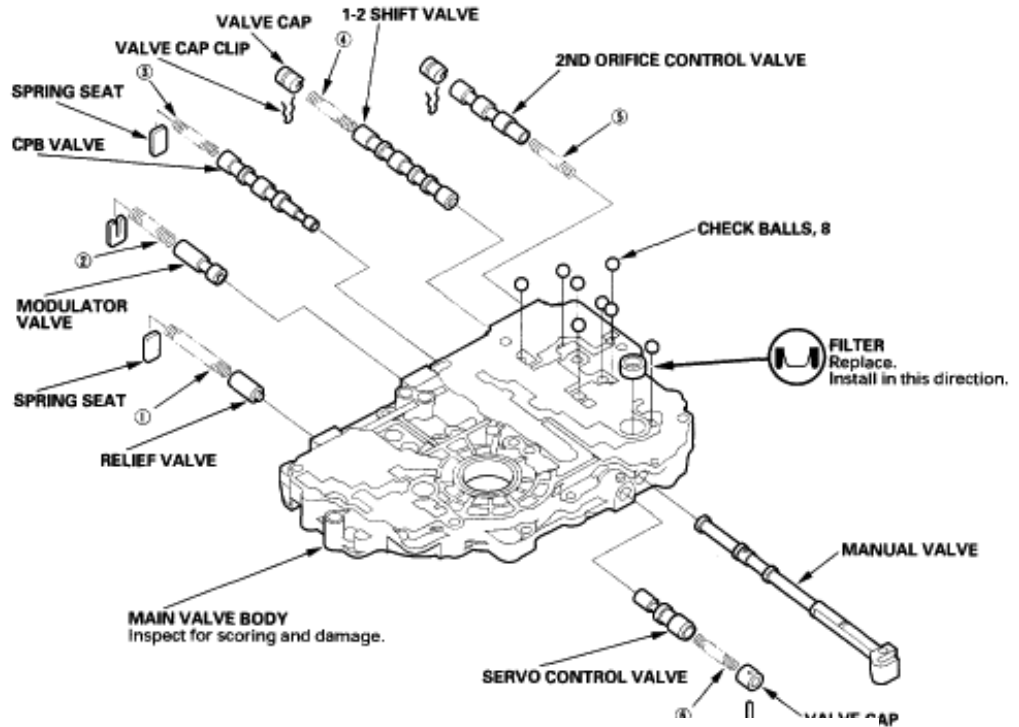
Position	Gear	Shift Control Solenoid Valve A	Shift Control Solenoid Valve B
D and D <sub>3</sub>	1st	OFF	ON
	2nd	ON	ON
	3rd	ON	OFF
D	4th	OFF	OFF
2	2nd	ON	ON
R	Reverse	ON	OFF
	Reverse Inhibit	OFF	ON
N	---	OFF	OFF
P	---	OFF	OFF



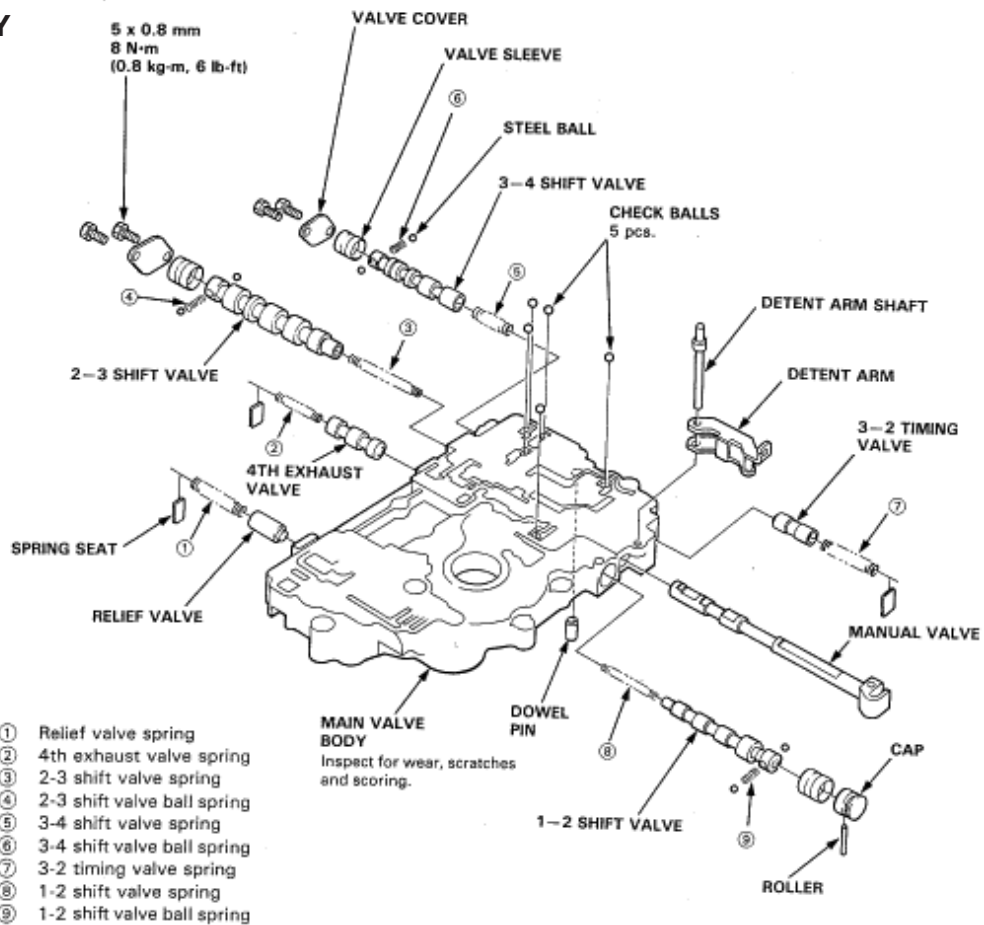
**A4RA, B4RA, BDRA, M4RA, S4RA MAIN VALVE BODY**



**BMXA, SLXA  
MAIN VALVE BODY**

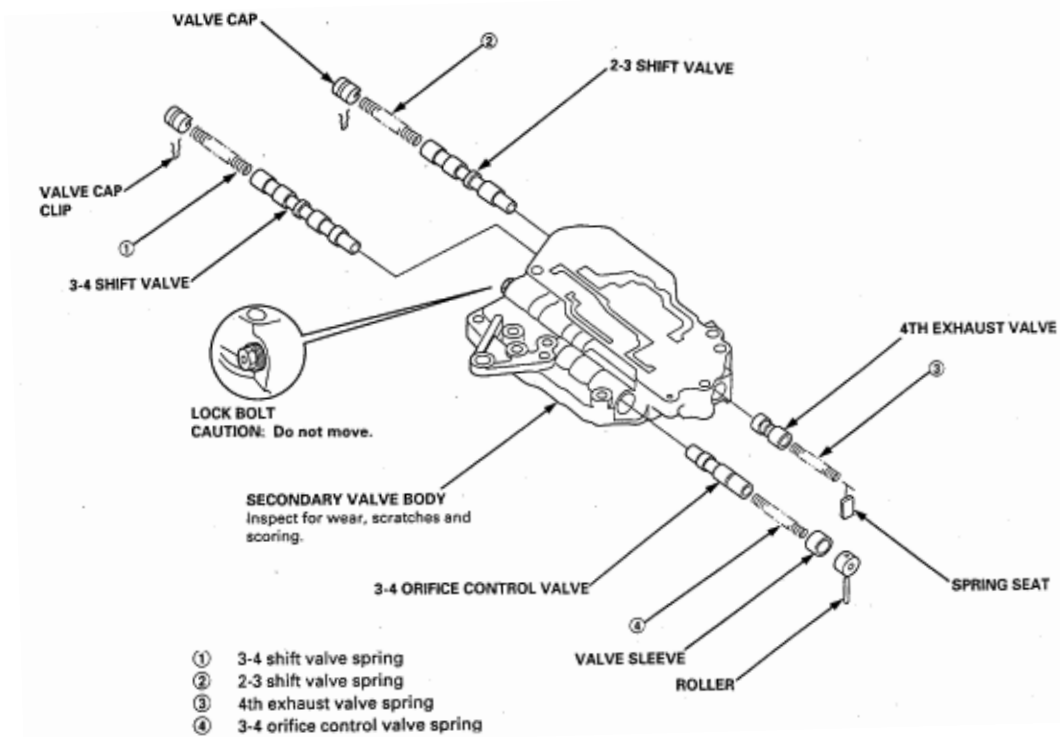


**S24A MAIN  
VALVE BODY**

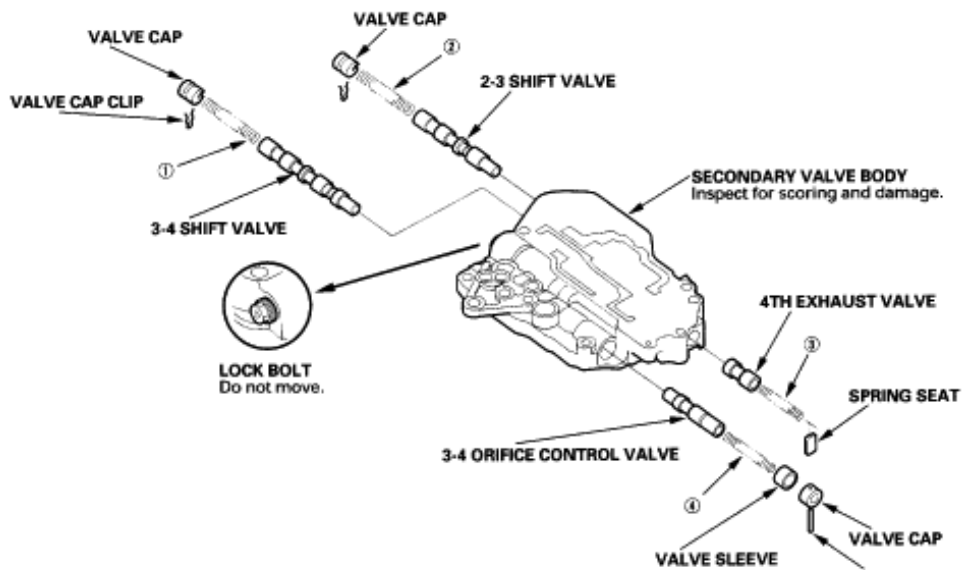




### A4RA, B4RA, BDRA, M4RA, S4RA SECONDARY VALVE BODY



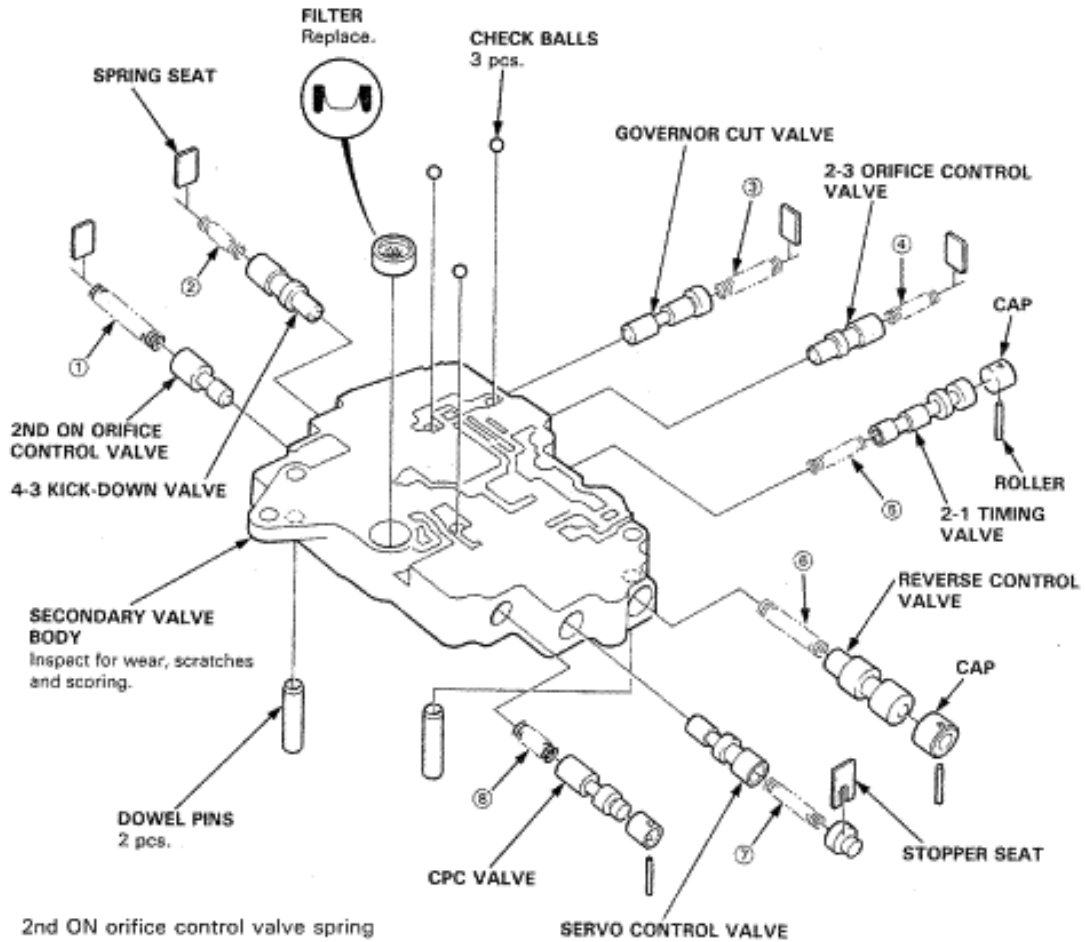
### BMXA, SLXA SECONDARY VALVE BODY



#### SPRING SPECIFICATIONS

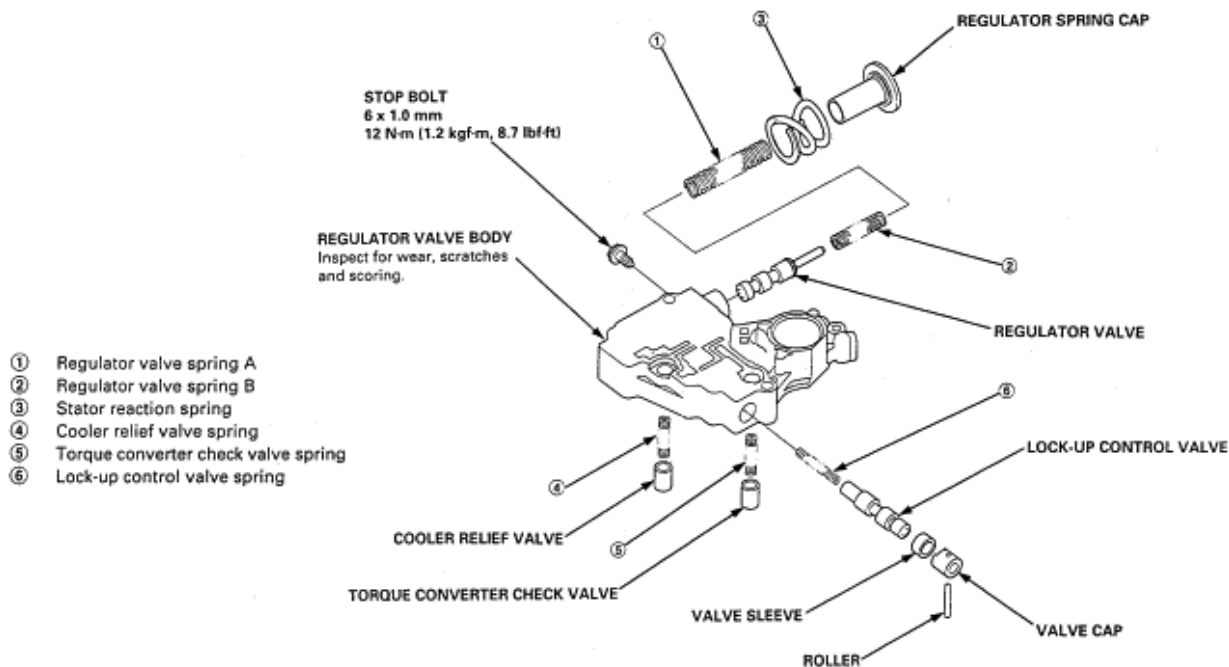
No.	Spring	Standard (New)-Unit: mm (in.)			
		Wire Dia.	O.D.	Free Length	No. of Coils
①	3-4 shift valve spring	0.9 (0.035)	7.6 (0.299)	57.0 (2.244)	26.8
②	2-3 shift valve spring	0.9 (0.035)	7.6 (0.299)	57.0 (2.244)	26.8
③	4th exhaust valve spring	0.9 (0.035)	6.1 (0.240)	36.4 (1.433)	19.5
④	3-4 orifice control valve spring	0.7 (0.028)	6.6 (0.260)	37.5 (1.476)	24.6

**S24A SECONDARY VALVE BODY**

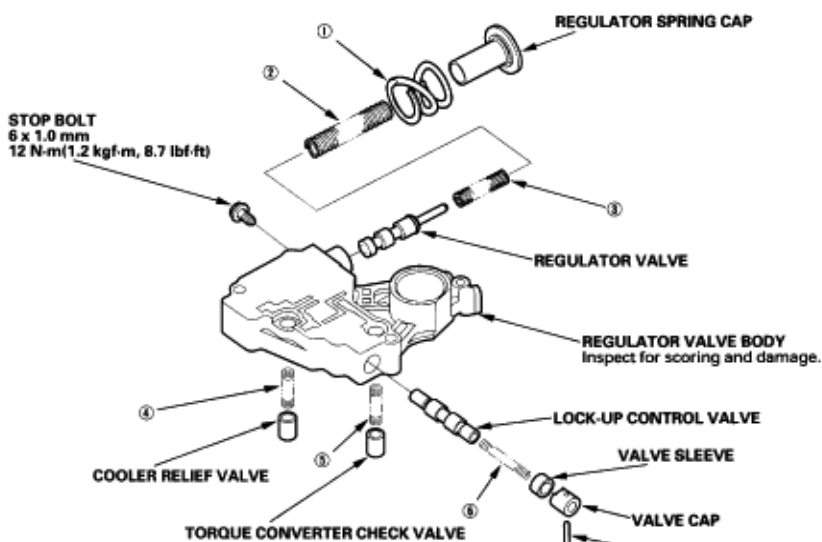


- ① 2nd ON orifice control valve spring
- ② 4-3 kick-down valve spring
- ③ Governor cut valve spring
- ④ 2-3 orifice control valve spring
- ⑤ 2-1 timing valve spring
- ⑥ Reverse control valve spring
- ⑦ Servo control valve spring
- ⑧ CPC (Clutch Pressure Control) valve spring

### A4RA, B4RA, BDRA, M4RA, S4RA REGULATOR VALVE BODY



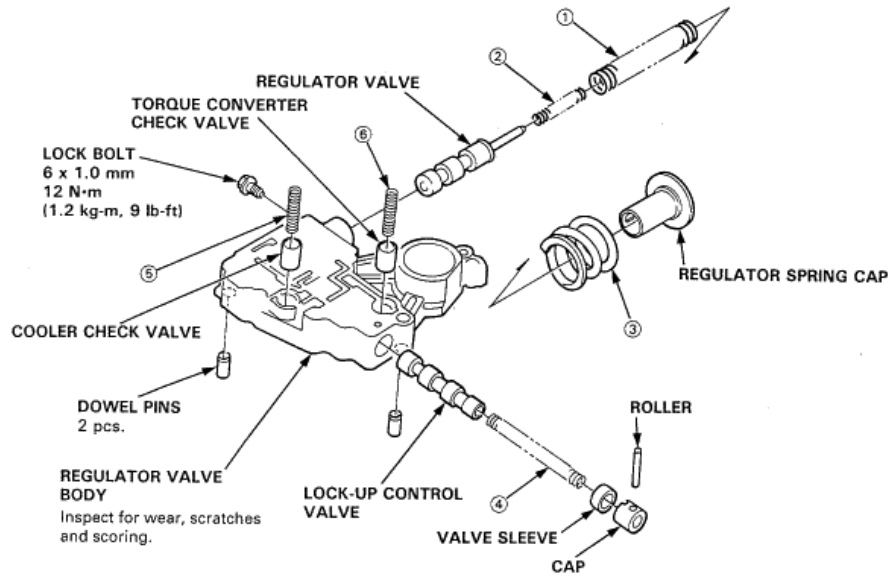
### BMXA, SLXA REGULATOR VALVE BODY



#### SPRING SPECIFICATIONS

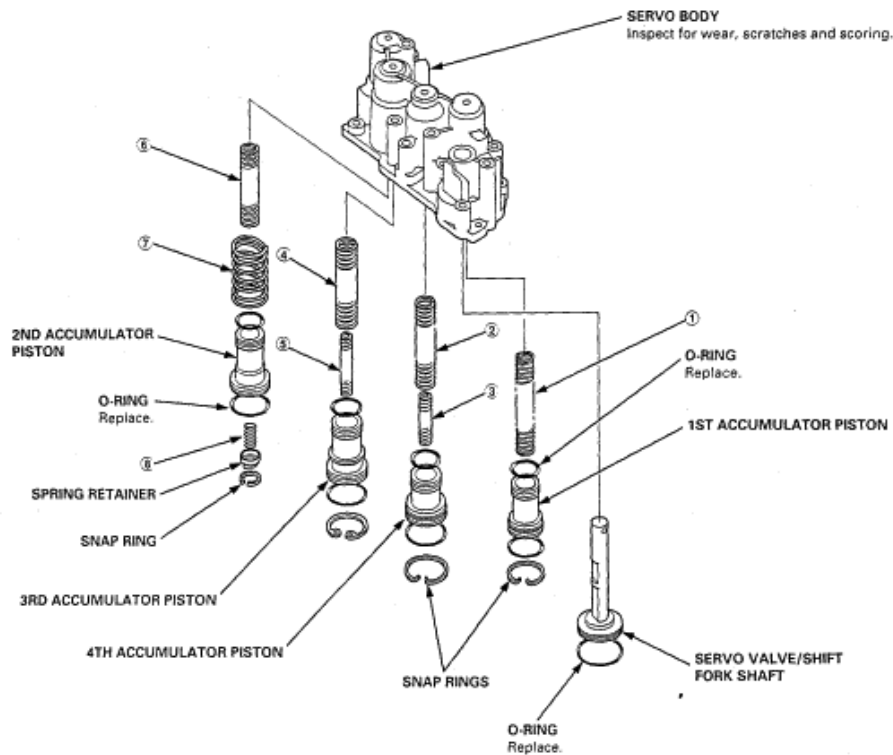
No.	Spring	Standard (New)-Unit: mm (in.)			
		Wire Dia.	O.D.	Free Length	No. of Coils
①	Stator reaction spring	4.5 (0.177)	35.4 (1.394)	30.3 (1.193)	1.9
②	Regulator valve spring A	1.9 (0.075)	14.7 (0.579)	77.4 (3.047)	15.2
③	Regulator valve spring B	1.8 (0.071)	9.6 (0.378)	44.0 (1.732)	12.6
④	Cooler relief valve spring	1.0 (0.039)	8.4 (0.331)	33.8 (1.331)	8.2
⑤	Torque converter check valve spring	1.0 (0.039)	8.4 (0.331)	33.8 (1.331)	8.2
⑥	Lock-up control valve spring	0.8 (0.031)	6.0 (0.236)	38.4 (1.512)	30.3

**S24A REGULATOR VALVE BODY**



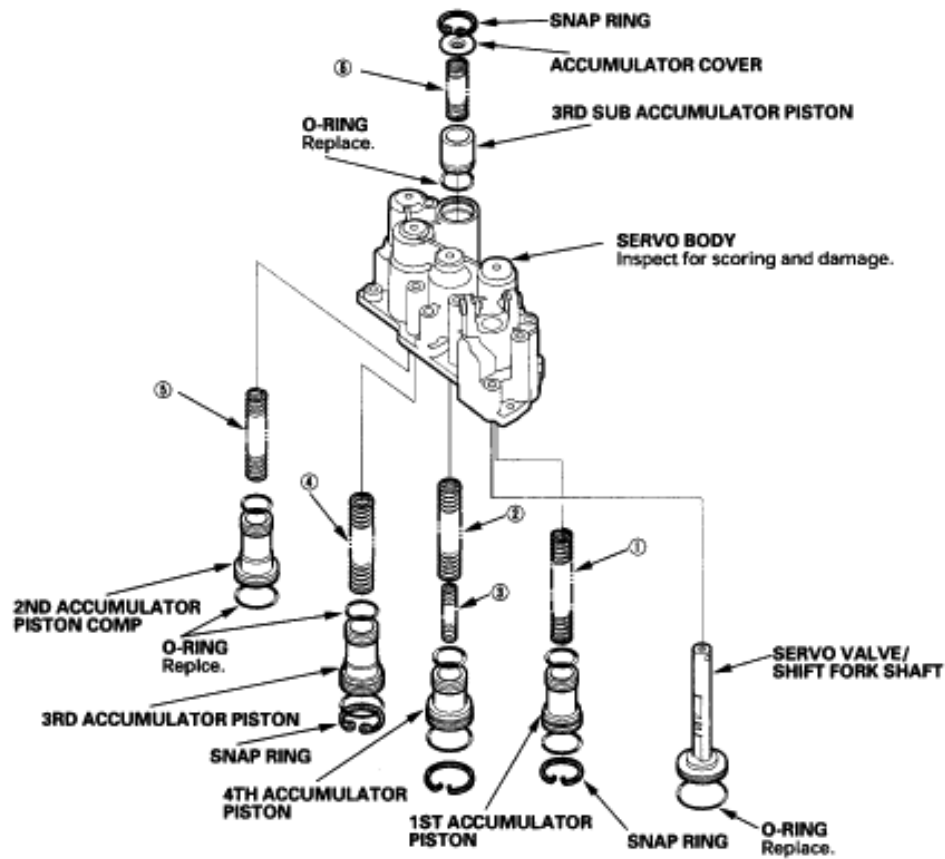
- ① Regulator valve spring A
- ② Regulator valve spring B
- ③ Stator reaction spring
- ④ Lock-up control valve spring
- ⑤ Cooler check valve spring
- ⑥ Torque converter check valve spring

**A4RA, B4RA, BDRA, M4RA, S4RA SERVO**



- ① 1st accumulator spring
- ② 4th accumulator spring A
- ③ 4th accumulator spring B
- ④ 3rd accumulator spring A
- ⑤ 3rd accumulator spring B
- ⑥ 2nd accumulator spring C
- ⑦ 2nd accumulator spring A
- ⑧ 2nd accumulator spring B

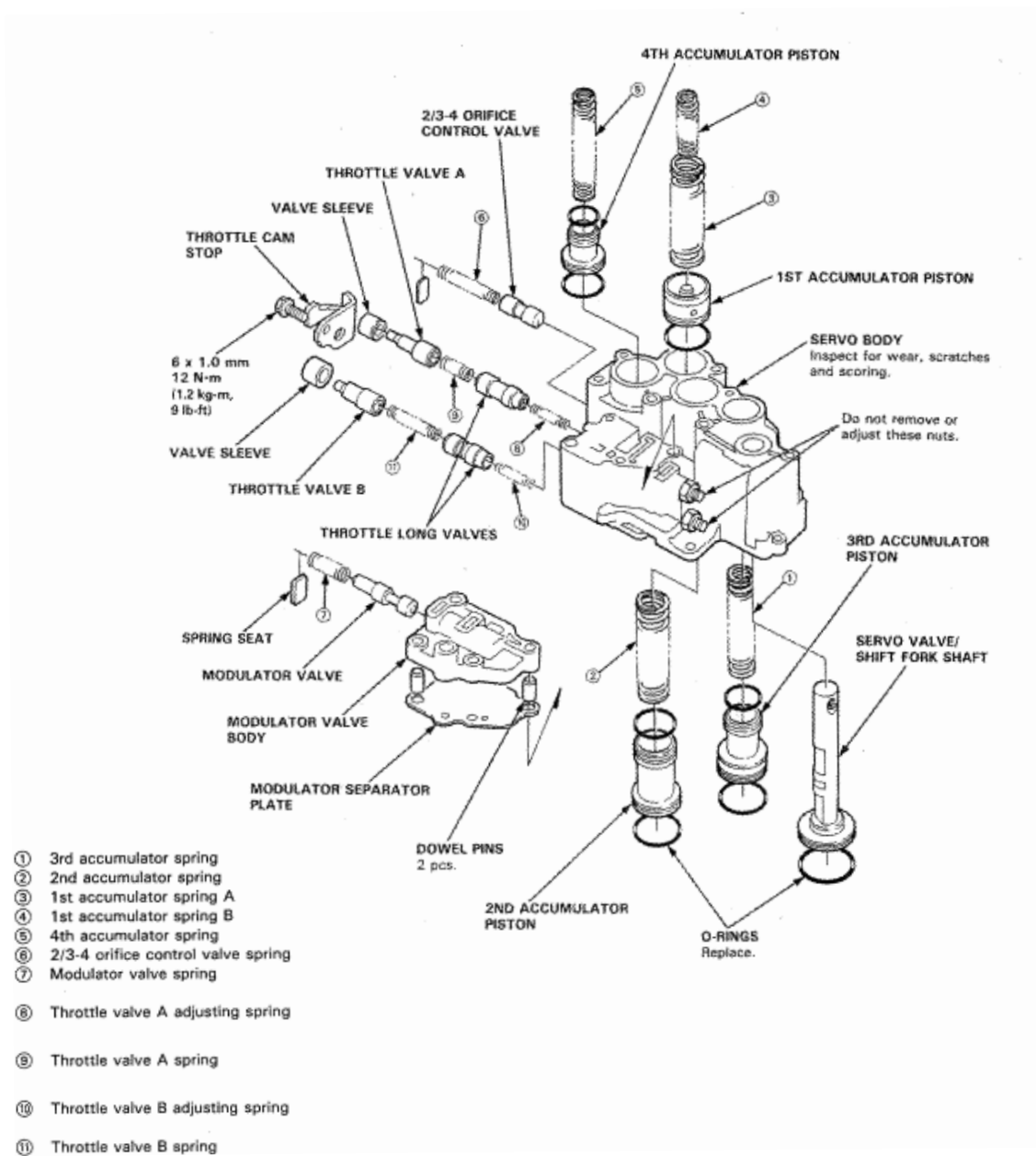
**BMXA, SLXA SERVO**



**SPRING SPECIFICATIONS**

No.	Spring	Standard (New)-Unit: mm (in.)			
		Wire Dia.	O.D.	Free Length	No. of Coils
①	1st accumulator spring	2.1 (0.083)	16.0 (0.630)	89.1 (3.508)	16.2
②	4th accumulator spring A	2.6 (0.102)	17.0 (0.669)	88.4 (3.480)	14.2
③	4th accumulator spring B	2.3 (0.091)	10.2 (0.402)	51.6 (2.031)	13.8
④	3rd accumulator spring	2.9 (0.110)	17.5 (0.689)	89.2 (3.713)	13.4
⑤	2nd accumulator spring A	2.4 (0.087)	14.5 (0.571)	68.0 (2.677)	12.5
⑥	3rd sub accumulator spring	2.7 (0.106)	17.0 (0.669)	39.0 (1.535)	6.3

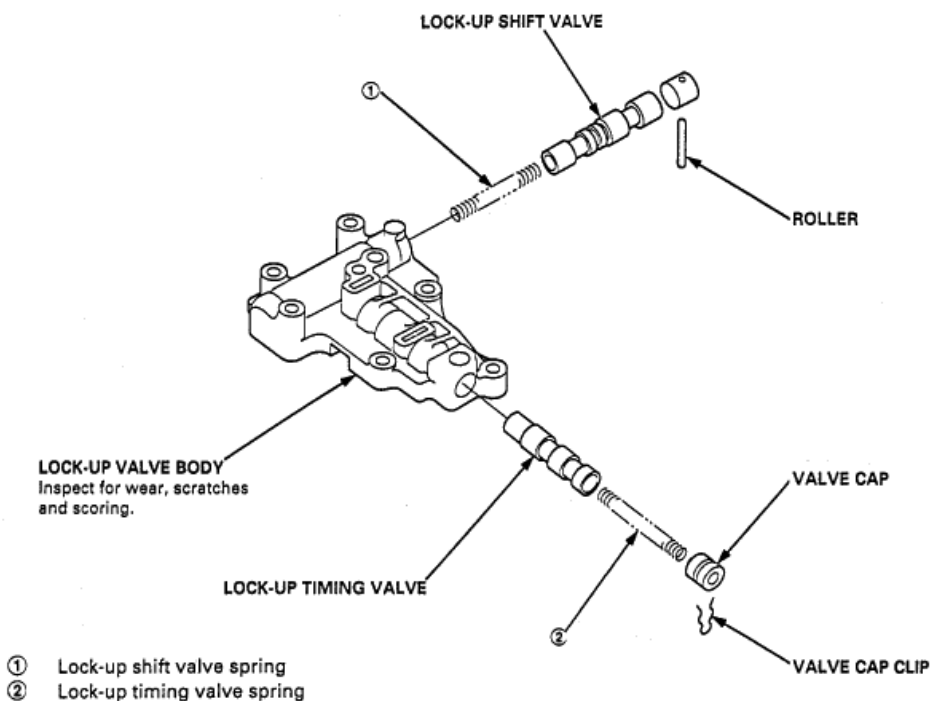
## S24A SERVO



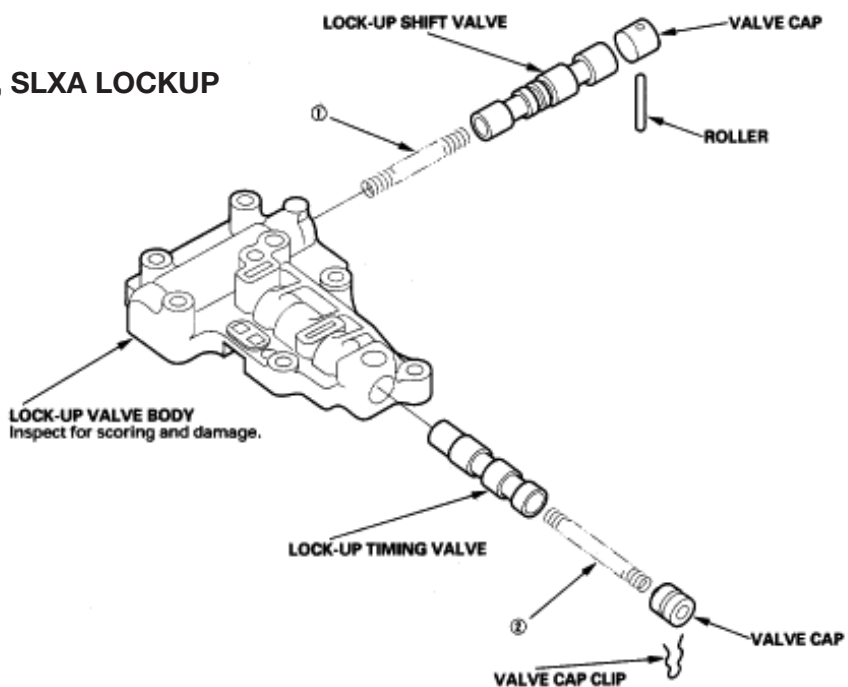




### A4RA, B4RA, BDRA, M4RA, S4RA LOCKUP



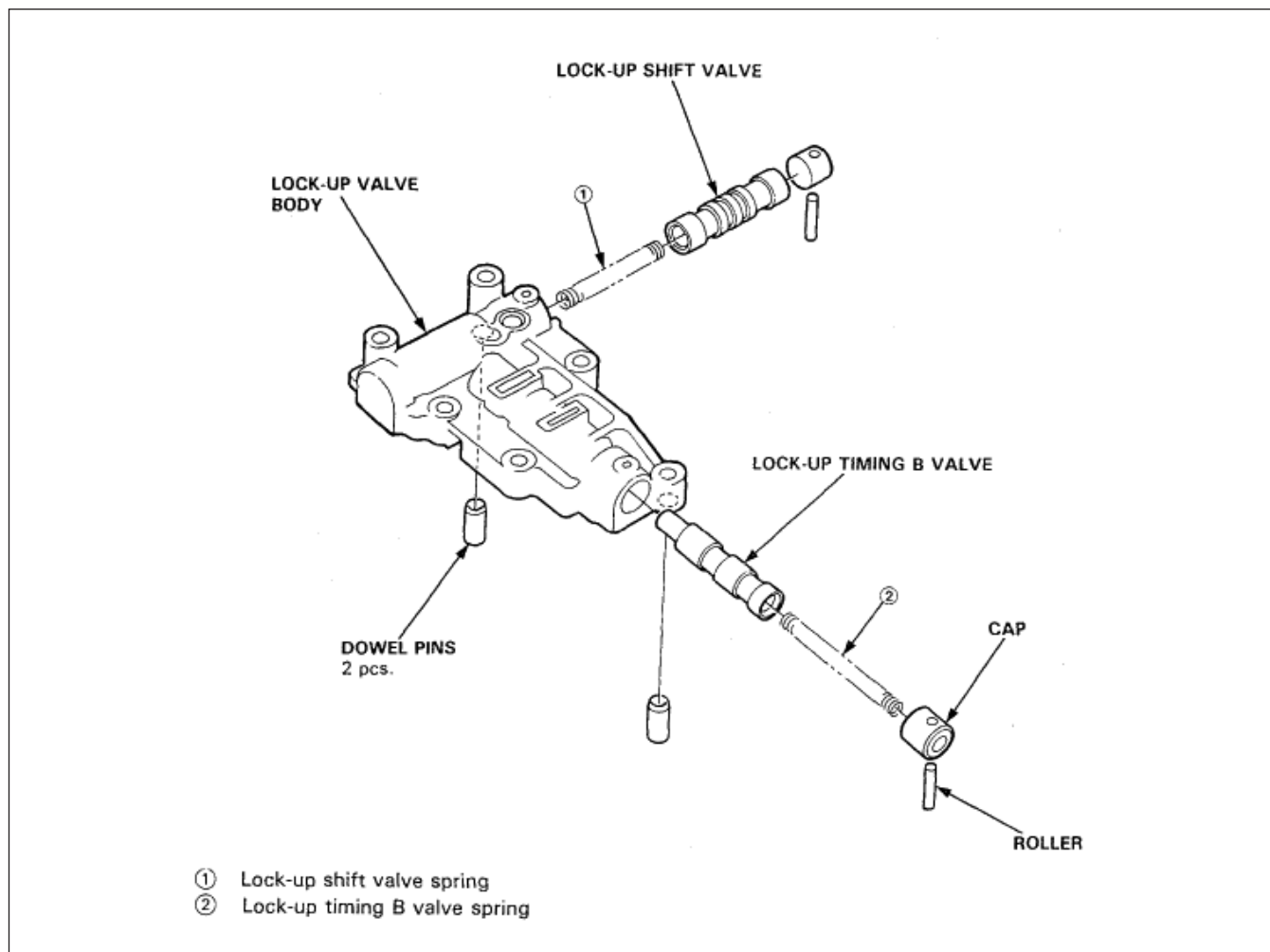
### BMXA, SLXA LOCKUP



#### SPRING SPECIFICATIONS

No.	Spring	Standard (New)-Unit: mm (in.)			
		Wire Dia.	O.D.	Free Length	No. of Coils
①	Lock-up shift valve spring	0.9 (0.035)	7.6 (0.299)	73.7 (2.902)	32.0
②	Lock-up timing valve spring	0.9 (0.035)	8.1 (0.319)	80.7 (3.177)	54.2

## S24A LOCKUP



A Division of Freudenberg-NOK