



## Toyota A40 Series RWD I.D. Chart

This Metal Tag is rivited on the drivers side.  
The **Model No.** is an Ink Number.

The **1st Number** of the **Serial No.** on early models indicate the production year.

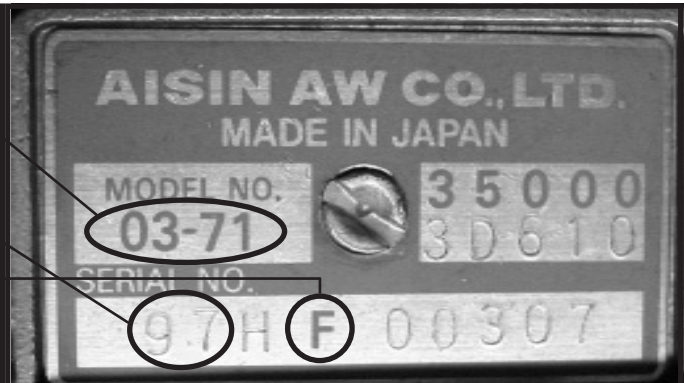
The **2nd Letter** of the **Serial No.** indicates the transmission. (Use this letter if the **Ink Model No.** is gone.)



This Metal Tag is rivited on the drivers side.  
The **Model No.** is an Ink Number.

The **1st & 2nd Number** of the **Serial No.** on the late models indicate the production year.

The **2nd Letter** of the **Serial No.** indicates the transmission. (Use this letter if the **Ink Model No.** is gone.)



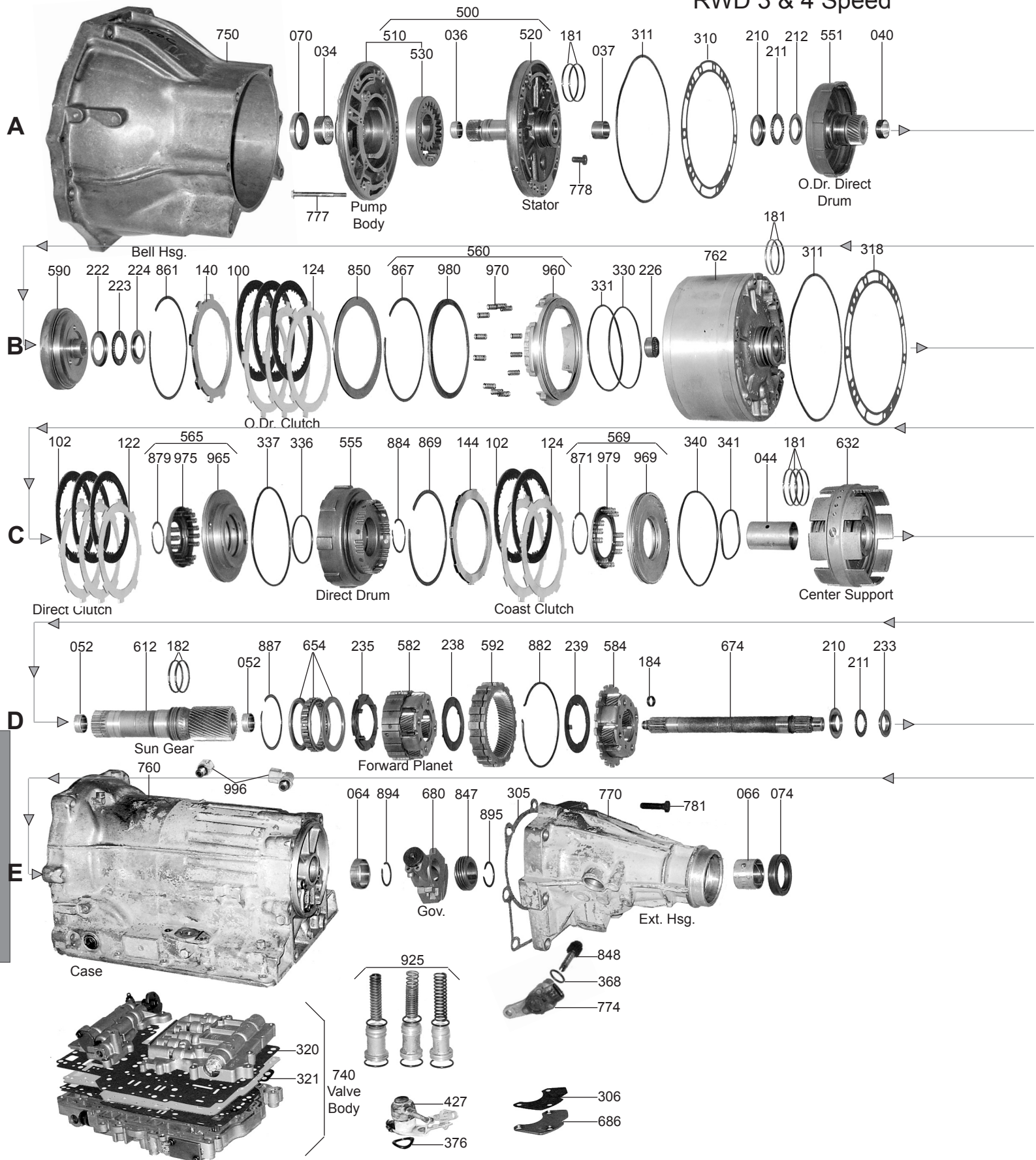
Model No.	2nd Letter	Transmission	Transmission Type	Notes
03-50	B	A40D	4 Spd Non L/Up	
03-51	B	A40D	4 Spd Non L/Up	
03-55	A	A40	3 Spd Non L/Up	AW55
03-56	D	A41	3 Spd Non L/Up	
03-60	B	A40D	4 Spd Non L/Up	
03-70	C	A42D	4 Spd Non L/Up	AW70
03-70L	K	A42DL	4 Spd L/Up	AW70L
03-71	F	A43D	4 Spd Non L/Up	AW71
03-71L	H	A43DL	4 Spd L/Up	AW72L
03-71LE	L	A43DE	4 Spd L/Up (Electronic)	A46DE/A46DF Uses Same Tag
03-72	N	A44D	4 Spd Non L/Up	Mitsubishi (AW372/KM148)
03-72L	P	A44DL	4 Spd L/Up	
03-72LE	Q	A44DE	4 Spd L/Up (Electronic)	
03-73L		A45DL	4 Spd L/Up	
03-75	J	A43	3 Spd Non L/Up	
Model 55		BW55	3 Spd Non L/Up	Volvo (Borg Warner)

TOYOTA

A40 thru A46DL (03-50 thro 03-72L)



RWD 3 & 4 Speed

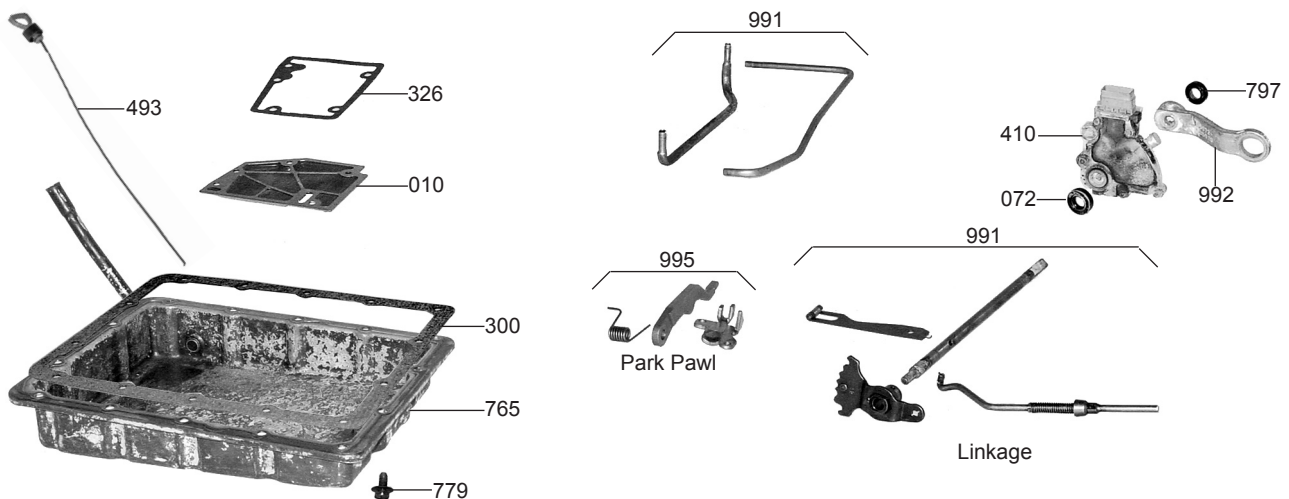
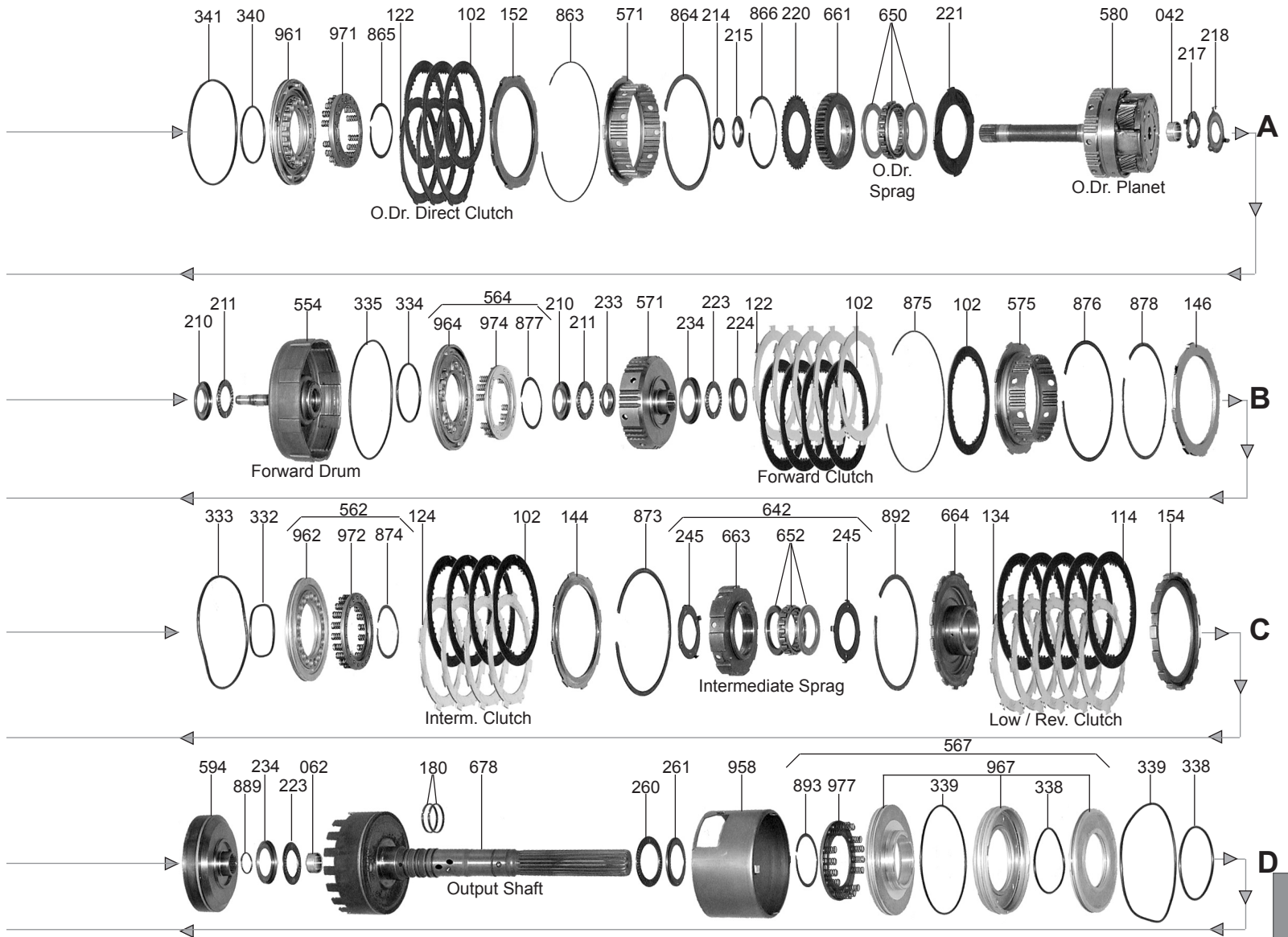


TOYOTA



# A40 thru A46DL (03-50 thro 03-72L)

RWD 3 & 4 Speed



TOYOTA



# A40 thru A46DL (03-50 thro 03-72L)

RWD 3 & 4 Speed

PART #	PAPER & RUBBER KIT	QTY.	REFERENCE #
57000A	Paper & Rubber Kit, A40/A41/A43/AW55 1973-Up	1	
57000CB	Paper & Rubber Kit, AW70/AW71/AW72 1982-Up	1	
57000CC	Paper & Rubber Kit, A40D/A42D/A43D/A44D 1976-Up	1	
57000EC	Paper & Rubber Kit, A42DL/A43DE/A43DL/A44DE/A44DL/A45DL/A46DE 1982-Up	1	
57000Y	Paper & Rubber Kit, BW55 (Volvo) 1974-81	1	

PART #	OVERHAUL KITS	QTY.	REFERENCE #
57002A	Overhaul Kit, A40/A41/A43/AW55 1973-Up	1	
57002CB	Overhaul Kit, AW70/AW71/AW72 1982-Up	1	
57002CC	Overhaul Kit, A40D/A42D/A43D/A44D 1976-Up	1	
57002EC	Overhaul Kit, A42DL/A43DE/A43DL/A44DE/A44DL/A45DL/A46DE 1982-Up	1	
57002Y	Overhaul Kit, BW55 (Volvo) 1974-81	1	

PART #	MASTER L/STEEL KIT	QTY.	REFERENCE #
57004A	Master L/Steels Kit, A40/A41/A43/AW55 1973-Up	1	
57004CB	Master L/Steels Kit, AW70/AW71/AW72 1982-Up	1	
57004CC	Master L/Steels Kit, A40D/A42D/A43D/A44D 1976-Up	1	
57004HC	Master L/Steels Kit, A42DL/A43DE/A43DL/A44DE/A44DL/A45DL 8/1981-Up	1	
57004P	Master L/Steels Kit, A46DE/A46DF 1990-95	1	
57004Y	Master L/Steels Kit, BW55 (Volvo) 1974-81	1	

PART #	MASTER W/STEEL KIT	QTY.	REFERENCE #
57006A	Master W/Steels Kit, A40/A41/A43/AW55 1973-Up	1	
57006CB	Master W/Steels Kit, AW70/AW71/AW72 1982-Up	1	
57006CC	Master W/Steels Kit, A40D/A42D/A43D/A44D 1976-Up	1	
57006HC	Master W/Steels Kit, A42DL/A43DE/A43DL/A44DE/A44DL/A45DL 8/1981-Up	1	
57006P	Master W/Steels Kit, A46DE/A46DF 1990-95	1	
57006Y	Master W/Steels Kit, BW55 (Volvo) 1974-81	1	

PART #	FILTER	QTY.	REFERENCE #
57010A	Filter, A40/A41/A43/AW55/BW55 1972-82	1	35303-22020
57010C	Filter, A40D 1978-Up	1	35303-30031
57010D	Filter, A42D/A43D/AW70/AW71 (.345" Thick)	1	35303-30050
57010DA	Filter, A43D (Toyota/Lexus) 1/2002-9/2004 (.590" Thick At The Pick-Up Rim)	1	
57010E	Filter, A42DL/A43DL/A44DL/A45DL/A45DF 1982-Up	1	35303-14010
57010H	Filter, A43DE/A44DE/A46DE 1983-Up	1	35303-30060

PART #	FILTER KIT	QTY.	REFERENCE #
57011A	Filter Kit, A40/A41/A43/AW55/BW55 1972-82	1	
57011C	Filter Kit, A40D 1978-Up	1	
57011D	Filter Kit, A42D/A43D/AW70/AW71 1981-Up	1	
57011E	Filter Kit, A42DL/A43DL/A44DL/A45DL/A45DF 1982-Up	1	
57011H	Filter Kit, A43DE/A46DE 1983-Up	1	

PART #	BUSHINGS	QTY.	REFERENCE #
57030A	Bushing Kit, A40/A41/A43/AW55/BW55	1	
57030D	Bushing Kit, A40D/A42D/A42DL/A43D/A43DE/A43DL/A44D/A44DL/A45DF/A45DL/A46DE	1	K57902B
57034A	Bushing, A40 Series Pump Body (1.500" ID)(Brass With Oil Pockets)	1	
57036A	Bushing, A40 Series Stator (Front & Rear) .848" ID (.384" Wide) (Babbit) (Also Fits Sun Gear Shaft)	1-4	
57036B	Bushing, A40 Series Stator (Front & Rear) .848" ID (.680" Wide) (Babbit)	1-2	
57036C	Bushing, A40 Series Stator (Front & Rear) .848" ID (.680" Wide) (Bronze) (Also Fits Sun Gear Shaft)	1-4	
57036CA	Bushing, A40 Series Stator (Front & Rear) .864" ID (.384" Wide)	1-2	
57036CB	Bushing, A40 Series Stator (Front & Rear) .864" ID (.680" Wide)	1-2	
57037E	Bushing, A42DL/A43DL/A43DE/A44DL Stator (Rear) .908" ID (.680" Wide)	1	
57040C	Bushing, A40 Series Overdrive Drum (Front) .909" ID (.380" Wide) (No Groove)	2	57003
57040J	Bushing, A40 Series Overdrive Drum (Front) .915" ID (.380" Wide) (With Groove)	2	
57042C	Bushing, A40 Series Overdrive Planet (Pilot) .438" ID	1	
57044A	Bushing, A40 Series Center Support 1.434" ID (1.040" Wide)	1	
57044C	Bushing, A40D Center Support 1.434" ID (.735" Wide)	1	
57044CA	Use 57226C	1	

TOYOTA



# A40 thru A46DL (03-50 thro 03-72L)

RWD 3 & 4 Speed

57052A	Bushing, A40 Series Sun Gear Shaft .848"ID (.384" Wide) (Use 57036A)	2	
57052J	Bushing, A44D Sun Gear Shaft .848"ID (.680" Wide) (Use 57036C)	2	
57062A	Bushing, A40 Series Output Shaft .710"ID (.380" Wide)	1	
57064A	Bushing, A40 Series Case (1.500"ID) (Babbit, Smooth)	1	
119066	Bushing, A40 (Volvo) Extension Housing (1.510"OD)(1.380"ID)(1.210" Long)(Babbit)	1	
57066A	Bushing, A40 Series Extension Housing 1.500"ID (1.184" Wide)	1	90999-72020
57066AE	Bushing, A40/A41/A42D/A42DL Extension Housing (Isuzu)	1	
57066J	Bushing, A44D/A44DL Extension Housing (1.507"ID)	1	

PART #	METAL CLAD SEALS	QTY.	REFERENCE #
57070A	Seal, All A40 Series (Front)	1	90311-38020
60072	Seal, All A40 Series Linkage	2	90311-11128
57074A	Seal, A40 Series Rear With Felt (38mmX58mmX11mm)	1	90311-38005
97074A	Seal, A40 Series Rear (Without Felt) (38x58x11mm)	1	
57074AD	Seal, A40/A42D/A43D Rear (Isuzu) (35mmX49.2mmX11mm) 1981-85	1	5-09625-009-0
97074C	Seal, AW71 (Volvo 1992-04) (42mm x 55mm x 11mm)	1	
57074D	Seal, A42D/A42DL Rear (Isuzu) (38.5mmX49.2mmX8mm) 1986-Up	1	8-94155-373-0
57074J	Seal, A44D/A44DL Rear (Mitsubishi, Dodge D50) (39.5mmX57.1mmX13.2mm)	1	MD951482
29074	Seal, AW55/BW55/AW70/AW71 Rear (Volvo) (36mm X 49.5mm X 11mm)	1	235728-3
57078A	Seal, All A40 (Toyota) Series Speed-O Shaft	1	90310-09001
57078Y	Seal, BW55 (Volvo) Speed-O Shaft	1	380192-5

PART #	FRICITION CLUTCH	QTY.	REFERENCE #
67100A	Friction, A40 Series Overdrive Clutch .067" (5.60"OD) (33 Teeth) 1982-Up	3	35677-32040
57102A	Friction, A40 Series Intermediate Clutch (Brake #2) .079" (5.00"OD) (24 Teeth) 1985-Up	2-3	35677-22060
57102AA	Friction, A40 Series Forward/Direct/Coast/Intermediate/Overdrive/Overdrive Direct Clutch .091" (5.00"OD) (24 Teeth)	11-17	35677-22010
57102AB	Friction, A40 Series Forward/Direct Clutch .091" (5.00"OD) (24 Teeth) (Waved)	3-6	
57102AC	Friction, A40 Series Forward/Direct Clutch .091" (5.00"OD) (16 Teeth) (Waved)	3-6	
57102B	Friction, A40 Series Overdrive Direct Clutch .091" (5.60"OD) (33 Teeth) 1979-81	3	35677-30010
57102C	Friction, A40 Series Overdrive Direct Clutch .067" (5.60"OD) (33 Teeth) 1982-Up (Use 67100A)	3	35677-32040
67100A	Friction, A40 Series Overdrive Direct Clutch .067" (5.60"OD) (33 Teeth) 1982-Up	3	35677-32040
57114A	Friction, A40 Series Low/Reverse Clutch .091" (5.00"OD) (16 Teeth) 1973-Up	4-5	35633-30060
57114AB	Friction, A40 Series Low/Reverse Clutch .091" (5.00"OD) (16 Teeth) (Waved) 1973-UP	1	
57119A	Friction Module, A40/A41/A43/AW55 3 Speed 1973-Up	1	
57119C	Friction Module, A40D/A43D 4 Speed 1982-87	1	

PART #	STEEL CLUTCH	QTY.	REFERENCE #
57122A	Steel, A40 Series Forward/Direct/Overdrive Direct Clutch (.079") (4.00"ID) (8 Short Teeth) 1980-Up	8-10	35634-30070
57122AA	Steel, A40 Series Forward/Direct/Overdrive Direct Clutch (.071") (4.00"ID) (8 Short Teeth) 1973-Up	8-10	35634-22070
57122AB	Steel, A40 Series Forward/Direct Clutch .055" (4.00"ID) (8 Short Teeth) 1981-Up	1-2	35634-30090
57122Q	Steel, A46DE/A46DF Overdrive Direct Clutch .055" (4.00"ID) (8 Teeth) (Dished) 1990-Up	1	34618-30010
57122QA	Steel, A46DE/A46DF Forward/Direct Clutch .091" (4.00"ID) (8 Teeth) 1990-Up	AR	35634-30120
57122QB	Steel, A40 Series Forward/Direct Clutch .055" (4.00"ID) (8 Teeth)	3-6	
57124A	Steel, A40 Series Coast (Brake #1)/ Intermediate (Brake #2) Clutch (.079") (4.00"ID) (8 Tall Teeth)	2-6	35648-30010
57124AA	Steel, A40 Series Coast (Brake #1)/ Intermediate (Brake #2) & Overdrive Clutch (.071") (4.00"ID) (8 Tall Teeth)	5-10	35634-22090
57124B	Steel, A40 Series Intermediate (Brake #2) Clutch (.092") (4.00"ID) (8 Tall Teeth) 1980-Up	3	35648-30020
57124C	Steel, A40 Series Intermediate (Brake #2) Clutch .118" (4.00"ID) (8 Teeth) 1985-Up	2	35648-22010
57124D	Steel, A40 Series Overdrive Clutch .079" (4.60"ID) (7 Teeth) 1981-Up	2	35634-30080
57124E	Steel, A40 Series Overdrive Clutch .091" (4.60"ID) (7 Teeth)	1-3	35634-30010
57134A	Steel, A40 Series Low/Reverse Clutch .071" (4.00"ID) (15 Teeth)	5	35634-22080

PART #	CLUTCH PRESSURE PLATES	QTY.	REFERENCE #
57140A	Pressure Plate, A40D Series Overdrive Clutch	1	
57144A	Pressure Plate, A40 Series Coast & Intermediate Clutch	2	
57146A	Pressure Plate, A40 Series Direct Clutch	1	
57152A	Pressure Plate, A40 Series Overdrive Direct Clutch	1	
57154A	Pressure Plate, A40 Series Low/Reverse Clutch (Bottom)	1	

TOYOTA

## A40 thru A46DL (03-50 thro 03-72L)



RWD 3 &amp; 4 Speed

PART #	OIL SEALING RINGS	QTY.	REFERENCE #
57175A	Ring Kit, A40/A41/A43/AW55/BW55 (Metal) 1972-84	1	
57175C	Ring Kit, A40D/A42D/A42DL/A42DE/A43D/A43DE/A43DL/A44DL/A45DL/A46DE (Metal)	1	
57175Y	Ring Kit, BW55 (Metal)	1	
57180A	Ring, A40 Series Output Shaft (1.312"OD) (Metal)	3	35735-22010
57181A	Ring, A40/A41/A43 Forward Drum (2.029"OD) (Metal) 1973-81	2	35617-22010
57181AA	Ring, A40 Series Forward/Direct/Overdrive Drum (2.029") (Metal) 1973-81	2-7	35617-22020
57181AB	Ring, A40 Series Forward/Direct/Overdrive Drum (2.046"OD) (Metal) 1981-Up (Use 157179)	2-7	
157179	Ring, A40 Series Forward/Direct/Overdrive Drum (2.046"OD) (Metal) 1981-Up	2-7	
57182A	Ring, A40 Series Sun Gear (1.500"OD) (Metal)	2	
57182AA	Ring, A40 Series Sun Gear (1.752"OD) (Metal)	2	35749-30010
57182Y	Ring, BW55 Sun Gear (Metal)	1	
57184C	Ring, A40 Series Intermediate Shaft (.055"OD) (Metal)	1	35748-30010
57184CT	Ring, A40 Series Intermediate Shaft (.055"OD) (Teflon)	1	

PART #	WASHERS & BEARINGS	QTY.	REFERENCE #
57210A	Race, A40D/A42D/A43D Stator To Overdrive Drum (Front); A40 Series Support To Forward Drum (Front); A40 Series Forward Drum To Forward Hub (Front); A40/A41/A43/A40D/A42D/A42DL Sun Gear To Rear Ring Gear (Front)	1-4	
57211A	Bearing, A40D/A42D/A43D Stator To Overdrive Drum; A40 Series Support To Forward Drum; A40 Series Forward Drum To Forward Hub; A40/A41/A43/A40D/A42D/A42DL/A43D/A43DE/A43DL Sun Gear To Rear Ring Gear	1-4	
57211E	Bearing W/Race, A42DL/A43DE/A43DL/A44D/A44DL Stator To Overdrive Drum	1	
57211J	Bearing W/Race, A44D/A44DL Sun Gear To Rear Ring Gear	1	
57212C	Race, A40D/A42D/A43D Stator To Overdrive Drum (Rear)	1	
57212E	Race, A42DL/A43DE/A43DL/A44D/A44DL Stator To Overdrive Drum (Rear)	1	
57214E	Bearing, A42DL/A43D/A43DE/A43DL/A44D/A44DL Overdrive Planet To Overdrive Drum (For 33 Teeth Sun Gear)	1	
57214R	Bearing W/Race, A44DL Overdrive Planet To Overdrive Drum (For 27 Teeth Sun Gear)	1	
57215E	Race, A42DL/A43D/A43DE/A43DL/A44D/A44DL Overdrive Planet To Overdrive Drum (For 33 Teeth Sun Gear)	1	
57217C	Washer, A40D/A42D/A42DL/A43/A43DE/A43DL/A44D/A44DL Overdrive Planet To Overdrive Ring Gear (4 Tab)	1	
57218C	Race, A40D/A42D/A42DL/A43/A43DE/A43DL/A44D/A44DL Overdrive Planet To Overdrive Ring Gear (3 Tab)	1	
57220C	Washer, A40D/A42D Overdrive Sprag (Front)	1	
57220E	Washer, A42DL/A43D/A43DE/A43DL/A44D/A44DL Overdrive Sprag (Front)	1	
57221C	Washer, A40D/A42D Overdrive Sprag (Rear)	1	
57221E	Washer, A42DL/A43D/A43DE/A43DL/A44D/A44DL Overdrive Sprag (Rear)	1	
57222C	Race, A40D/A42D/A42DL/A43/A43DE/A43DL/A44D/A44DL Overdrive Ring Gear To Overdrive Case (Front)	1	
57223C	Bearing, A40D/A42D/A42DL/A43/A43DE/A43DE/A43DL/A44D/A44DL Overdrive Ring Gear To Overdrive Case; A40 Series Forward Hub To Sun Gear ; A40 Series Rear Ring Gear To Output Shaft	1-3	
57224C	Race, A40D/A42D/A42DL/A43/A43DE/A43DL/A44D/A44DL Overdrive Ring Gear To Overdrive Case (Rear); A40 Series Forward Hub To Sun Gear (Rear)	1-2	
57226C	Caged Needle Bearing, A40D/A42D/A43D/A43DL/A43DE/A44D/A44DL Overdrive Case To Forward Drum 1978-Up	1	
57233A	Race, A40 Series Forward Drum To Forward Hub (Rear)	1	
57234A	Race, A40 Series Forward Hub To Sun Gear (Front); A40 Series Rear Ring Gear To Output Shaft (Front)	1-2	
57235A	Washer, A40/A40D/A42D/A42DL Front Planet (2.760"OD) (2 Tab, Plastic)	1	
57235B	Washer, A41/A44D/A44DL Front Planet (2.860"OD) (1.560"ID) (2 Tab, Plastic)	1	
57235S	Washer, A43/A43D/A43DE/A43DL Front Planet (2.875"OD) (4 Tab, Plastic)	1	
57235Y	Washer, BW55 Front Planet (2.860"OD) (1.855"ID) (2 Tab, Plastic)	1	
57238A	Washer, A40/A40D/A41/A42D/A42DL/A44D/A44DL Front Planet (Rear) (2.875"OD) (4 Tab, Steel)	1	
57238S	Washer, A43/A43D/A43DE/A43DL Front Planet (Rear) (2.955"OD) (4 Tab, Plastic)	1	
57238Y	Washer, BW55 Front Planet (Rear) (3.380"OD) (4 Tab, Steel)	1	
57239A	Washer, A40/A40D/A41/A42D/A42DL Rear Planet (Front) (2.835"OD) (1.560"ID) (2 Tab, Plastic)	1	
57239J	Washer, A44D/A44DL Rear Planet (Front) (2.835"OD) (1.980"ID) (2 Tab, Plastic)	1	
57239S	Washer, A43/A43D/A43DE/A43DL Rear Planet (Front) (2.968"OD) (4 Tab, Steel)	1	
57239Y	Washer, BW55 Rear Planet (Front) (3.385"OD) (2 Tab, Plastic)	1	
57260A	Bearing, A40 Series Output Shaft To Case	1	
57261A	Race, A40 Series Output Shaft To Case	1	

TOYOTA



# A40 thru A46DL (03-50 thro 03-72L)

RWD 3 & 4 Speed

PART #	GASKETS & RUBBER COMPONENTS	QTY.	REFERENCE #
57300A	Gasket, A40 Series Bottom Pan	1	35168-22011
57305A	Gasket, A40/A40D/A41/A42D/A42DL/A43/A43D/A43DL/A44D/A44DL Extension Housing	1	35182-22010
57305H	Gasket, A43DE/A46DE Extension Housing	1	57193
57305Y	Gasket, BW55 Oil Galley Cover (In Extension Housing)	1	57107
57311A	O-Ring, A40 Series Pump 1973-79	1	35147-22010
57311AA	O-Ring, A40 Series Pump 1979-Up	1	90301-99010
57311C	O-Ring, A40 Series Overdrive Housing To Case	1	90301-99006
57320A	Gasket, A40/AW55 Valve Body(Upper)	1	
57320C	Gasket, A40D Valve Body (Upper)	1	
57320D	Gasket, A42D Valve Body (Upper)	1	
57320E	Gasket, A42DL/A44DL/A45DL/AW70/AW71 Valve Body (Upper)	1	
57320Q	Gasket, A43DE/A46DE/A46DF Valve Body (Upper)	1	
57320S	Gasket, A43D/AW72/KM148 Valve Body (Upper)	1	
57320Y	Gasket, BW55 Valve Body (Upper)	1	
57321A	Gasket, A40/AW55 Valve Body (Lower)	1	
57321C	Gasket, A40D Valve Body (Lower)	1	
57321D	Gasket, A42D Valve Body (Lower)	1	
57321E	Gasket, A42DL/A44DL/A45DL/AW70/AW71 Valve Body (Lower)	1	
57321Q	Gasket, A43DE/A46DE/A46DF Valve Body (Lower)	1	
57321S	Gasket, A43D/AW72/KM148 Valve Body (Lower)	1	
57321Y	Gasket, BW55 Valve Body (Lower)	1	
57323C	Seal, A40D Valve Body To Case	1	57130
57326A	Gasket, A40/A41/A43/BW55 Filter	1	04450-45007P
57326C	Gasket, A40D Filter	1	57190
57326D	Gasket, A42D/A43D/AW70/AW71 Filter	1	35339-30050
57326E	Gasket, A42DL/A43DL/A44DL/A45DL/A45DF Filter	1	
57326H	Gasket, A43DE/A44DE/A46DE Filter	1	
57368Y	O-Ring, BW55 Speed-O Housing (Volvo)	1	57125

PART #	TECHNICAL MANUALS	QTY.	REFERENCE #
57400A	Technical Manual, A40 Series	1	83-TOY40TM

PART #	MISC. COMPONENTS	QTY.	REFERENCE #
T57497	Repair End, A40 Series Cable (Teckpak)	1	

PART #	HARD PARTS	QTY.	REFERENCE #
57510A	Pump Body, A40/BW55 (.597" Gears) (Can Use 57510C Or E)	1	
57510C	Bpump Body, A41/A40D/A42D/A43D/A44D (.597" Gears) (Can Use 57510A Or E)	1	
57510E	Pump Body, A42DL/A43DL/A43DE/A44DL (.675" Gears)	1	
57520A	Stator, A40 (4 1/8" Shaft) 2.010"OD Ring Tower	1	
57520B	Stator, A41 (2 15/16" Shaft) 2.022"OD Ring Tower	1	3537012021
57520C	Stator, A40D/A42D (3 5/8" Shaft) 2.010"OD Ring Tower 1978-82	1	
57520CA	Stator, A40D/A42D (3 5/8" Shaft) 2.022"OD Ring Tower 1983-Up	1	
57520E	Stator, A42DL/A43DL/A43DE/A44DL (2 15/16" Shaft) 2.022"OD Ring Tower	1	
57520L	Stator, A43 (4 1/8" Shaft) 2.022"OD Ring Tower	1	
57520S	Stator, A43D/A44D (3 5/8" Shaft) 2.010"OD Ring Tower 1980-82	1	
57520SA	Stator, A43D/A44D (3 5/8" Shaft) 2.022"OD Ring Tower 1983-Up	1	
57520Y	Stator, BW55 (4 1/8" Shaft) (Aluminum)	1	
57551C	Drum, A40D/A42D Overdrive With 27 Teeth Sun Gear (2.032"ID Ring Bore) 1980-82	1	
57551CA	Drum, A40D/A42D Overdrive With 27 Teeth Sun Gear (2.050"ID Ring Bore) 1983-Up	1	
57551R	Drum, A44DL Overdrive With 27 Teeth Sun Gear (2.052"ID Ring Bore)	1	
57551S	Drum, A43D/A44D Overdrive With 33 Teeth Sun Gear (2.032"ID Ring Bore) 1980-82	1	
57551SA	Drum, A42DL/A43D/A43DL/A43DE/A44D/A44DL Overdrive With 33 Teeth Sun Gear (2.050"ID Ring Bore) 1983-Up	1	
57554A	Drum, A40 Forward With 6 1/2" Shaft	1	
57554B	Drum, A41 Forward With 5 3/4" Shaft	1	35701-12020
57554C	Drum, A40D/A43D Forward With Shaft (2.032"ID Ring Bore) 1978-83	1	
57554CA	Drum, A40D/A42DL/A43D/A43DL/A43DE/A44DL Forward With Shaft (2.050"ID Ring Bore) 1983-Up	1	
57554D	Drum, A42D Forward With Shaft (2.032"ID Ring Bore) 1980-82	1	
57554DA	Drum, A42D Forward With Shaft (2.050"ID Ring Bore) 1983-Up	1	
57554J	Drum, A44D Forward With Shaft (2.032"ID Ring Bore) 1980-82	1	
57554JA	Drum, A44D Forward With Shaft (2.050"ID Ring Bore) 1983-Up	1	
57554L	Drum, A43 Forward With 6 1/2" Shaft (2.050"ID Ring Bore)	1	
57554Y	Drum, BW55 Forward (Volvo) With 6 1/2" Shaft	1	

TOYOTA



# A40 thru A46DL (03-50 thro 03-72L)

RWD 3 & 4 Speed

PART #	HARD PARTS (Continued)	QTY.	REFERENCE #
57555A	Drum, A40/A40D/BW55 Direct (2.032"ID Ring Bore).....	1	
57555B	Drum, A41/A42D/A42DL/A43/A43D/A43DL/A44DL Direct (2.050"ID Ring Bore) .....	1	
57555CA	Drum, A40D/A43DE/A44D Direct (2.050"ID Ring Bore) 1983-Up.....	1	
57555D	Drum, A42D/A43D Direct (2.032"ID Ring Bore) 1980-82.....	1	
57560C	Piston Kit, A40D/A42D Overdrive Clutch .....	1	
57560E	Piston Kit, A42DL/A44D Overdrive Clutch .....	1	
57560S	Piston Kit, A43D/A43DE/A43DL/A44DL Overdrive Clutch .....	1	
57561C	Piston Kit, A40D/A42D/A43D/A44D Overdrive Direct Clutch 1978-82.....	1	
57561CA	Piston Kit, A40D/A42D/A42DL/A43D/A43DE/A43DL/A44D/A4DL Overdrive Direct Clutch 1983-UP .....	1	
57562A	Piston Kit, A40/A41/A42D/A42DL/A43/A44D Intermediate Clutch (#2 Brake).....	1	
57562B	Piston Kit, A43D/A43DE/A44DL/A44D/BW55 Intermediate Clutch (#2 Brake).....	1	
57564A	Piston Kit, A40 Forward Clutch .....	1	
57564B	Piston Kit, A41 Forward Clutch .....	1	
57564C	Piston Kit, A40D Forward Clutch (.125" Wide O-Ring Groove).....	1	
57564CA	Piston Kit, A40D Forward Clutch (.140" Wide O-Ring Groove).....	1	
57564D	Piston Kit, A42D Forward Clutch (.125" Wide O-Ring Groove).....	1	
57564DA	Piston Kit, A42D Forward Clutch (.140" Wide O-Ring Groove).....	1	
57564E	Piston Kit, A42DL/A43/A44DL Forward Clutch.....	1	
57564J	Piston Kit, A44D Forward Clutch (.125" Wide O-Ring Groove).....	1	
57564JA	Piston Kit, A44D Forward Clutch (.140" Wide O-Ring Groove).....	1	
57564S	Piston Kit, A43D/A43DE/A43DL Forward Clutch (.125" Wide O-Ring Groove).....	1	
57564SA	Piston Kit, A43D/A43DE/A43DL Forward Clutch (.140" Wide O-Ring Groove).....	1	
57565A	Piston Kit, A40 Series Direct Clutch .....	1	
57567A	Piston Kit, A40 Series Low/Reverse Clutch (#3 Brake).....	1	
57569A	Piston Kit, A40/A41/A42D/A42DL/A43/A43D/A43DL/A43DE/A44D/A44DL Coast Clutch (#1 Brake) .....	1	
57569C	Piston Kit, A40D Coast Clutch (#1 Brake).....	1	
57569Y	Piston Kit, BW55 Coast Clutch (#1 Brake).....	1	
57571C	Clutch Hub, A40D/A42D/A42DL Overdrive .....	1	
57571S	Clutch Hub, A43D/A43DL/A43DE/A44D/A44DL Overdrive.....	1	
57574A	Clutch Hub, A40 Forward (8 Teeth, Steel).....	1	
57574B	Clutch Hub, A41/A40D/A42DL/A43/A43D/A43DL/A43DE/A44D/A44DL Forward (24 Teeth, Cast Iron).....	1	
57574D	Clutch Hub, A42D Forward (24 Teeth, Steel) .....	1	
57574Y	Clutch Hub, BW55 Forward (24 Teeth, Stamped Steel).....	1	
57575A	Clutch Hub, A40/A42D Direct.....	1	
57575B	Clutch Hub, A41/A42DL/A43D/A43DL/A43DE/A44D/A4DL/BW55 Direct.....	1	
57580C	Planet, A40D/A42D Overdrive (27 Teeth Sun Gear) 1978-82.....	1	
57580CA	Planet, A40D/A42D Overdrive (27 Teeth Sun Gear) With 26 Spline Non Lock-Up Shaft 1983-Up .....	1	
57580E	Planet, A42DL/A43DL/A43DE/A44DL Overdrive (33 Teeth Sun Gear) With 26 Spline Lock-Up Shaft .....	1	
57580R	Planet, A44DL Overdrive (27 Teeth Sun Gear) With 26 Spline Lock-Up Shaft .....	1	
57580S	Planet, A43D/A44D Overdrive (33 Teeth Sun Gear) With 26 Spline Non Lock-Up Shaft .....	1	
57580T	Planet, A44DE Overdrive (33 Teeth Sun Gear) With 20 Spline Lock-Up Shaft.....	1	
57580TA	Planet, A44DE Overdrive (27 Teeth Sun Gear) With 20 Spline Lock-Up Shaft.....	1	
57582A	Planet, A40/A40D/A42D/A42DL Front (17 Teeth On Each Gear) .....	1	
57582B	Planet, A41/A44D/A44DL Front (23 Teeth On Each Gear) .....	1	
57582S	Planet, A43/A43D/A43DL/A43DE Front (20 Teeth On Each Gear).....	1	
57582Y	Planet, BW55 (Volvo) Front (20 Teeth On Each Gear) .....	1	
57584A	Planet, A40/A41/A40D/A42D/A42DL Rear (17 Teeth On Each Gear).....	1	
57584J	Planet, A44D/A44DL Rear (19 Teeth On Each Gear) .....	1	
57584S	Planet, A43/A43D/A43DL/A43DE Rear (20 Teeth On Each Gear) .....	1	
57584Y	Planet, BW55 (Volvo) Rear (20 Teeth On Each Gear) .....	1	
57590C	Ring Gear, A40D Overdrive (27 Teeth Sun Gear) (Cast Iron At Splines).....	1	
57590D	Ring Gear, A42D Overdrive (27 Teeth Sun Gear) (Stamped Steel At Splines).....	1	
57590E	Ring Gear, A42DL/A43D/A43DL/A43DE/A44D/A44DL Overdrive (33 Teeth Sun Gear).....	1	
57592A	Ring Gear, A40/A40D/A42D/A42DL Front (2 15/16"ID) .....	1	
57592B	Ring Gear, A41/A43/A43D/A43DL/A43DE/A44D/A44DL Front (3 1/2"ID).....	1	
57592Y	Ring Gear, BW55 Front (3 1/2"ID).....	1	
57594A	Ring Gear, A40/A41/A42D Rear (2 15/16"ID Stamped Steel).....	1	
57594C	Ring Gear, A40D/A42DL Rear (2 15/16"ID Cast Iron Splines).....	1	
57594S	Ring Gear, A43/A43D/A43DL/A43DE/A44D/A44DL Rear (3 1/2"ID).....	1	
57594Y	Ring Gear, BW55 Rear (3 1/2"ID) .....	1	
57612A	Sun Gear, A40/A41/A42D/A42DL (7 1/2" Long) (27 Teeth).....	1	
57612C	Sun Gear, A40D (6 3/8" Long) (27 Teeth) .....	1	
57612J	Sun Gear, A44D/A44DL (7 1/2" Long) (27/36 Teeth) (2 Piece) .....	1	

TOYOTA





# A40 thru A46DL (03-50 thro 03-72L)

RWD 3 & 4 Speed

57612S	Sun Gear, A43/A43D/A43DL/A43DE/BW55 (7 1/2" Long) (33 Teeth)	1
57632A	Center Support, A40/A42D (2.018"OD Of Ring Tower)	1
57632B	Center Support, A41 (2.033"OD Of Ring Tower)	1
57632C	Center Support, A40D (2.018"OD Of Ring Tower) 1978-82	1
57632CA	Center Support, A40D (2.033"OD Of Ring Tower) 1983-Up	1
57632D	Center Support, A42D (2.018"OD Of Ring Tower) 1980-82	1
57632E	Center Support, A42DL/A43/A43D/A43DL/A44DL (2.033"OD Of Ring Tower) 1983-Up (With Ring Tower Facing Up & Lube Holes Facing You, 2nd Hole From Left Apply Between 2nd & 3rd Ring)	1
57632EA	Center Support, A42DL/A43D/A43DL/A44DL (2.033"OD Of Ring Tower) 1983-Up (With Ring Tower Facing Up & Lube Holes Facing You, 2nd Hole From Left Apply Between 1st (Top) & 2nd (Middle) Ring)	1
57632H	Center Support, A43DE/A44D/A46DE (2.033"OD Of Ring Tower) 1983-Up (With Ring Tower Facing Up & Lube Holes Facing You, 2nd Hole From The Left Apply Between 2nd (Middle) & 3rd (Bottom) Ring)	1
57632HA	Center Support, A43DE/A46DE (2.033"OD Of Ring Tower) 1983-Up (With Ring Tower Facing Up & Lube Holes Facing You, 2nd Hole From The Left Between 1st (Top) & 2nd (Middle) Ring)	1
57632J	Center Support, A44D (2.018"OD Of Ring Tower) 1980-82	1
57632S	Center Support, A43D (2.018"OD Of Ring Tower) 1980-82	1
57632Y	Center Support, BW55	1

PART #	SPRAGS & ONE WAY CLUTCHES	QTY.	REFERENCE #
--------	---------------------------	------	-------------

57642A	Sprag Assembly, A40/A41 (12 Lug)	1
57642D	Sprag Assembly, A42D/A42DL/A43/A43D/A43DL/A43DE/A44D/A44DL/BW55 (18 Lug)	1
57650C	Sprag, A40D/A42D Overdrive (27 Teeth Sun Gear)	1
57650D	Sprag, A42D/A42DL/A43D/A43DE/A43DL/A44D/A44DL Overdrive (1.748"OD Inner Race) (33 Teeth Sun Gear)	1
57650R	Sprag, A44DL Overdrive (2.016"OD Inner Race) (27 Teeth Sun Gear)	1
57654A	Sprag, A40 Rear (20 Elements)	1
57654B	Sprag, A41/A40D/A42D/A42DL/A43/A43D/A43DE/A43DL/BW55 Rear (26 Elements)	1
57654J	Sprag, A44D/A44DL Rear (26 Elements)	1
57661C	Outer Race, A40D/A42D Overdrive Sprag (27 Teeth Sun Gear)	1
57661D	Outer Race, A42D/A42DL/A43D/A43DE/A43DL/A44D/A44DL Overdrive Sprag (33 Teeth Sun Gear)	1
57661R	Outer Race, A44DL Overdrive Sprag (27 Teeth Sun Gear)	1
57664A	Inner Race, A40/A41/A40D/A42D/A42DL/A44D/A44DL Rear Sprag (1 1/2"ID)	1
57664S	Inner Race, A43/A43D/A43DL/A43DE/BW55 Rear Sprag (1 3/4"ID)	1

PART #	HARD PARTS (Continued)	QTY.	REFERENCE #
--------	------------------------	------	-------------

57674A	Shaft, A41/A42/A43/BW55 (9 7/16" Long)	1
57674C	Shaft, A40D Intermediate (8 11/16" Long)	1
57674D	Shaft, A42D/A42DL/A43D/A43DL/A43DE/A44D/A44DL Intermediate (9 7/8" Long)	1
57678A	Output Shaft, A40 (13 1/16" Long) 21 Splines (Slip On Yoke Type) Speed-O Gear Is Held On By Flat Key In The Key-Way	1
57678B	Output Shaft, A41/A40D/A43D/A43DL/A44DL (13 1/16" Long) 21 Splines (Slip On Yoke Type) Speed-O Gear Is Held On By Ball Under The Gear	1
57678D	Output Shaft, A42D (14 3/16" Long) 18 Splines (Slip On Yoke Type)	1
57678E	Output Shaft, A42DL/A43D (9 9/16" Long) 25 Splines (Bolt On Yoke)	1
57678H	Output Shaft, A43DE (13 1/16" Long) 21 Splines (Slip On Yoke Type) Has Only 1 Sealing Ring On Shaft	1
57678J	Output Shaft, A44D 4x4 (7 7/8" Long) 23 Splines	1
57678JA	Output Shaft, A44D (D-50) (16 3/8" Long) 26 Splines (Slip On Yoke Type)	1
57678L	Output Shaft, A43 (14 1/4" Long) 27 Splines (Slip On Yoke Type)	1
57678Y	Output Shaft, BW55 (9 5/8" Long) 25 Splines (Bolt On Yoke Type)	1
57680A	Governor, A40/A41/A40D/A42D/A42DL/A43/A43D/A43DL/A44D	1
57680H	Sensor, A43DE	1
57680Y	Governor, BW55	1

TOYOTA



# A40 thru A46DL (03-50 thro 03-72L)

RWD 3 & 4 Speed

PART #	HARD PARTS (Continued)	QTY.	REFERENCE #
57740A	Valve Body, A40 (Cast # 023 024 025)	1	
57740AA	Valve Body, A40 (Cast # 024 025 028)	1	
57740AB	Valve Body, A40 (Cast # 902 903 904)	1	
57740AC	Valve Body, A40 (Cast # 027H 03-55)	1	
57740B	Valve Body, A41	1	
57740C	Valve Body, A40D	1	
57740D	Valve Body, A42D	1	
57740E	Valve Body, A42DL	1	
57740G	Valve Body, A43DL	1	
57740H	Valve Body, A43DE	1	
57740J	Valve Body, A44D	1	
57740L	Valve Body, A43	1	
57740R	Valve Body, A44DL	1	
57740RB	Valve Body, A44DE (3 Solenoids)	1	
57740S	Valve Body, A43D	1	
57740Y	Valve Body, BW55	1	
57750A	Bell Housing, A40 (Top Bolts 4 1/2")	1	
57750B	Bell Housing, A41 (Top Bolts 4 1/2") (Cast # 8919) (Starter At 10:00)	1	
57750C	Bell Housing, A40D (Top Bolts 4 3/4") (Cast # 8963)	1	
57750D	Bell Housing, A42D (Top Bolts 4 1/8")	1	
57750J	Bell Housing, A44D (Top Bolts 5 1/8")	1	
57750JA	Bell Housing, A44D (Top Bolts 5 1/2")	1	
57750L	Bell Housing, A43 (Top Bolts 2 1/2")	1	
57750R	Bell Housing, A44DL (Top Bolts 4 1/2") (Cast # 8972)	1	
57750RB	Bell Housing, A44DL (Top Bolts 5 1/8") (Cast # 8991)	1	
57750S	Bell Housing, A43D/A43DL/A43DE (Top Bolts 5 1/8")	1	
57750SA	Bell Housing, A43D (Volvo) (Top Bolts 8")	1	
57750SB	Bell Housing, A43D/A43DL/A43DE (Top Bolts 6 1/4") (Cast 8987)	1	
57750SC	Bell Housing, A43D (Volvo) (Top Bolts 4 3/8") (Cast # 8967)	1	
57750Y	Bell Housing, BW55 (Volvo) (Top Bolts 8 1/8")	1	
57760A	Case, A40 (Tag ID# 03-55)	1	
57760B	Case, A41 (Tag ID # 03-56)	1	
57760C	Case, A40D (Tag ID # 03-50)	1	
57760D	Case, A42D/A42DL/A44D/A44DL (Toyota) Blue Tag (Tag ID # 03-70, 03-70L, 03-72, 03-72L)	1	
57760DA	Case, A42D/A42DL (Volvo) Black (Tag ID # 03-70, 03-70L)	1	
57760H	Case, A43DE (Without 4 Bolt Mount On Top Of Case) (Tag ID # 03-71LE)	1	
57760HA	Case, A43DE (With 4 Bolt Mount On Top Of case) (Tag ID # 03-71LE)	1	
57760JA	Case, A44D (Dodge D-50) (Tag ID # 03-72)	1	
57760L	Case, A43 (Tag ID # 03-75)	1	
57760RC	Case, A44DE (Pink Tag ID # 03-72LE)	1	
57760RD	Case, A44DE (Blue Tag ID # 03-72LE)	1	
57760S	Case, A43D/A43DL (Toyota) (Blue Tag ID # 03-71, 03-71L)	1	
57760SA	Case, A43D (Volvo) (Black Tag ID # 03-71)	1	
57760Y	Case, BW55 (Volvo) (Tag ID # Model 55)	1	
57762C	Case, A40D Overdrive (2.010"ID Of Ring Tower) 1978-82	1	
57762CA	Case, A40D Overdrive (2.022"OD Of Ring Tower) 1983-Up	1	
57762D	Case, A42D Overdrive (2.010"OD Of Ring Tower) 1980-82	1	
57762DA	Case, A42D Overdrive (2.022"OD Of Ring Tower) 1983-Up	1	
57762S	Case, A43D/A44D Overdrive (2.010"OD Of Ring Tower) 1980-82	1	
57762SA	Case, A42DL/A43D/A43DL/A43De/A44D/A44DL Overdrive (2.022"OD Of Ring Tower) 1983-Up	1	
57765A	Pan, A40 (1 15/16" At Deep End) (14" Tall Tube Above Pan On Passenger Side)	1	
57765B	Pan, A41 (1 15/16" At Deep End) (5 1/4" Tall Tube Above Pan On Drivers Side)	1	
57765C	Pan, A40D/A42D/A43D/A43DL/A43DE/A44DL (2 5/16" At Deep End) (Tube Is 6" Tall Above Pan On Passengers Side)	1	
57765E	Pan, A42DL/A43D (3 1/16" At Deep End) (6" Tall Tube Above Pan On Drivers Side)	1	
57765J	Pan, A44D (3 1/16" At Deep End) (6" Tall Tube Above Pan On Passengers Side)	1	
57765L	Pan, A43 (1 15/16" At Deep End) (8 1/2" Tall Tube Above Pan On Drivers Side)	1	
57765Y	Pan, BW55 (Volvo) (2 5/16" At Deep End) (Screw In Tube)	1	

TOYOTA



# A40 thru A46DL (03-50 thro 03-72L)

RWD  
3 & 4 Speed

57770A	.....Extension Housing, Some A40/A41/A40D/A42D/A43D/A43DL/A43DE (8 3/4" Long)	
	.....2 1/4"OD Rear Seal (Passenger Side Speed-O) 4 Threaded Mount Bolts	
	.....Angle Up From Bottom At 45 Degrees	1
57770AA	.....Extension Housing, Some A40/A41/A40D/A42D/A43D/A43DL/A43DE (8 3/4" Long)	
	.....2 1/4"OD Rear Seal (Drivers Side Speed-O) 4 Threaded Mount Bolts Angle Up From	
	.....Bottom At 45 Degrees	1
57770AB	.....Extension Housing, Some A40/A41/A40D/A42D/A43D/A43DL/A43DE (8 3/4" Long)	
	.....2 1/4"OD Rear Seal (Drivers Side Speed-O) 6 Bolt Threaded Mount Bolts On Top	1
57770E	.....Extension Housing, Some A42DL/A43D (5 1/8" Long) 1 15/16"OD Rear Seal (With Plugged	
	.....Speed-O Hole) 4 Unthreaded Mounting Holes Facing The Rear	1
57770EA	.....Extension Housing, Some A42DL/A43D (5 1/8" Long) 1 15/16"OD Rear Seal (With Plugged	
	.....Speed-O Hole) 4 Threaded Mounting Holes Facing The Rear	1
57770G	.....Extension Housing, A44DL 4x4 (2 3/8" Long) 1.360"ID Rear Seal (Sensor On Drivers Side)	
	.....2 Threaded Mount Holes On Bottom	1
57770J	.....Extension Housing, A44D 4x4 (3 1/2" Long) 2 Bolt Mount Facing Rear	1
57770JA	.....Extension Housing, A44D (Dodge D-50) 12" Long (2 Studs For Mount Facing Rear)	1
57770L	.....Extension Housing, A43 (10" Long) 1 15/16"OD Rear Seal (Passenger Side Speed-O)	
	.....2 Bolt Bottom Mount	1
57770Q	.....Extension Housing, A46DE (8 3/4" Long) 2 1/4"OD Rear Seal & Speed Sensor) 6 Threaded	
	.....Mount Bolts On Bottom	1
57770R	.....Extension Housing, A44D (8 3/4" Long) 2 1/4"OD Rear Seal) Drivers Side Speed-O	
	.....(4 Threaded Mounting Holes On Bottom Facing Down)	1
57770RC	.....Extension Housing, A44DE (8 3/4" Long) 2 1/4"OD Rear Seal (Passenger Side Speed-O	
	.....& Sensor) 4 Threaded Mounting Holes On Bottom Facing Down & 4 Threaded Holes	
	.....On Top Facing Down (Cast # 8921)	1
57770RG	.....Extension Housing, A44DE 4x4 (2 3/4" Long) 2 5/8"OD Rear Seal (Passengers Side Sensor)	
	.....12 Round Holes To Transfer Case (Cast # 36117-8907)	1
57770S	.....Extension Housing, A43D (Mitsubishi Montero) 12 1/4" Long (Drivers Side Speed-O)	
	.....2 Studs For Mount Facing The Rear	1
57770Y	.....Extension Housing, BW55 (Volvo) 5 1/8" Long (Passenger Side Speed-O) 2 Bolt Mount	1
57774A	.....Housing, A40 Series Driven Speed-O Gear	1
57775	.....Bolt, A40 Series Converter (8 x 1.25mm)	AR
67775	.....Bolt, A40 Series Converter (9 x 1.25mm)	AR
57842A	.....Retainer, A40 Series Speed-O Housing	1
57847A	.....Gear, A40 Speed-O Drive (6 Teeth) 5/8" Wide (Uses Key For Shaft)	1
57847B	.....Gear, A41/A40D/A43D/A43DL/A43DE/A44DL Speed-O Drive (6 Teeth) 5/8" Wide	
	.....(Uses Ball For Shaft)	1
57847D	.....Gear, A42D Speed-O Drive (5 Teeth) 9/16" Wide (Uses Plastic Slot For Shaft)	1
57847E	.....Sleeve, A42DL/A43D (1 1/16" Long) 1 1/2"OD	1
57847L	.....Gear, A43 Speed-O Drive (6 Teeth) 9/16" Wide (Uses A Ball For Shaft)	1
57847Y	.....Gear, BW55 (Volvo) Speed-O Drive (6 Teeth) 7/8" Wide (Held On By Yoke)	1
57850C	.....Cushion, A40 Series Overdrive Clutch	1
57861C	.....Snap Ring, A40 Series Holds Overdrive Pressure Plate In Overdrive Case	1
57862C	.....Snap Ring, A40 Series Holds Retainer In Overdrive Case	1
57863C	.....Snap Ring, A40 Series Under Overdrive Clutch Hub	1
57864C	.....Snap Ring, A40 Series Holds Overdrive Clutch Hub In Overdrive Direct Drum	1
57865A	.....Snap Ring, A40 Series Holds Retainer In Overdrive Drum	1
57866A	.....Snap Ring, A40 Overdrive Series Holds Sprag Assembly In Overdrive Planet	1
57869A	.....Snap Ring, A40 Series Holds Coast Clutch Pressure Plate In Center Support	1
57871A	.....Snap Ring, A40 Series Holds Coast Clutch Retainer In Center Support	1
57873A	.....Snap Ring, A40 Series Holds Intermediate Pressure Plate In Center Support	1
57874A	.....Snap Ring, A40 Series Holds Intermediate Retainer In Center Support	1
57875A	.....Snap Ring, A40 Series Under Direct Clutch Hub	1
57876A	.....Snap Ring, A40 Series Holds Direct Clutch Hub In Forward Drum	1
57877A	.....Snap Ring, A40 Series Holds Forward Retainer In	1
57878A	.....Snap Ring, A40 Series Holds Direct Pressure Plate In	1
57879A	.....Snap Ring, A40 Series Holds Direct Retainer In	1
57882A	.....Snap Ring, A40 Series Holds Front Ring Gear InOutput Shaft	1
57884A	.....Snap Ring, A40 Series Holds Sun Gear In Center Support	1
57887A	.....Snap Ring, A40 Series Holds Low/Reverse Sprag In Front Planet	1
57889A	.....Snap Ring, A40 Series Holds Intermediate Shaft To Rear Ring Gear	1
57892A	.....Snap Ring, A40 Series Holds Low/Reverse Clutch In Case	1
57894A	.....Snap Ring, A40 Series Stop For Governor	1
57895A	.....Snap Ring, A40 Series Holds Drive Speed-O Gear To Output Shaft	1

TOYOTA

## A40 thru A46DL (03-50 thro 03-72L)



RWD 3 &amp; 4 Speed

PART #	HARD PARTS (Continued)	QTY.	REFERENCE #
57925A	Accumulator Assembly, A40/A41	1	
57925C	Accumulator Assembly, A40D/A42D	1	
57925E	Accumulator Assembly, A42DL	1	
57925H	Accumulator Assembly, A43DE	1	
57925J	Accumulator Assembly, A44D	1	
57925L	Accumulator Assembly, A43DE	1	
57925R	Accumulator Assembly, A44DL	1	
57925S	Accumulator Assembly, A43D/A43DL	1	
57948A	Gear, A40 Series Driven Speed-O	1	
57958A	Tube, A40/A41/A42D/A42DL Brake Apply (Tin) (3 1/8" Tall)	1	
57958C	Tube, A40D/A43/A43D/A43DE/A43DL/A44D/A44DL Brake Apply (Tin) (3" Tall)	1	
57958Y	Tube, BW55 (Volvo) Brake Apply (Tin) (3" Tall) With 15 Lugs	1	
57960C	Piston, A40D/A42D/A43D/A44D Overdrive 1978-82	1	
57960CA	Piston, A40D/A42D/A42DL/A43D/A43DL/A43DE/A44D/A44DL Overdrive 1983-Up	1	
57961C	Piston, A40D/A42D/A43D/A43DL/A43DE/A44D/A44DL Overdrive Direct (Cast # 03-50)	1	
57961CA	Piston, A40D/A42D/A42DL/A43D/A43DL/A43DE/A44D Overdrive Direct (No Cast #)	1	
57962A	Piston, A40 Intermediate Clutch (Use 57969A)	1	
57962B	Piston, A41/A42D/A42DL/A43/A43D/A43DE/A43DL/A44D/A44DL Intermediate Clutch	1	
57962Y	Piston, BW55 (Volvo) Intermediate Clutch (Use 57969Y)	1	
57964A	Piston, A40 Forward Clutch	1	
57964B	Piston, A41 Forward Clutch	1	
57964C	Piston, A40D Forward Clutch (.125" Wide O-Ring Groove)	1	
57964CA	Piston, A40D Forward Clutch (.140" Wide O-Ring Groove)	1	
57964D	Piston, A42D Forward Clutch (.125" Wide O-Ring Groove)	1	
57964DA	Piston, A42D Forward Clutch (.140" Wide O-Ring Groove)	1	
57964E	Piston, A42DL/A43/A44DL Forward Clutch	1	
57964J	Piston, A44D Forward Clutch (.125" Wide O-Ring Groove)	1	
57964JA	Piston, A44D Forward Clutch (.140" Wide O-Ring Groove)	1	
57964S	Piston, A43D/A43DE/A43DL Forward Clutch (.125" Wide O-Ring Groove)	1	
57964SA	Piston, A43D/A43DE/A43DL Forward Clutch (.140" Wide O-Ring Groove)	1	
57965A	Piston, A40 Series Direct Clutch	1	
57967A	Piston, A40 Series Low/Reverse Clutch	1	
57969A	Piston, A40/A41/A42D/A42DL/A43/A43D/A43DE/A43DL/A44D/A44DL Coast Clutch (Also Fits A40 Series Intermediate Clutch)	1-2	
57969C	Piston, A40D Coast Clutch	1	
57969Y	Piston, BW55 (Volvo) Coast Clutch (Also Fits BW55 (Volvo) Intermediate Clutch)	1-2	
57970C	Spring, (A40 Overdrive Series) Overdrive Direct Return	18	
57971C	Spring, (A40 Overdrive Series) Overdrive Return	12	
57972A	Spring, A40 Series Intermediate Clutch Return	12	
57974A	Spring, A40 Series Forward Clutch Return	16	
57975A	Spring, A40 Series Direct Clutch Return	18	
57977A	Spring, A40 Series Low/Reverse Clutch Return	16	
57979A	Spring, A40 Series Coast Clutch Return	12	
57980C	Retainer, (A40 Overdrive Series) Overdrive Clutch Spring	1	
57981C	Retainer, (A40 Overdrive Series) Overdrive Direct Clutch Spring	1	
57982A	Retainer, A40 Series Intermediate Clutch Return Spring	1	
57984A	Retainer, A40 Series Forward Clutch Return Spring	1	
57985A	Retainer, A40 Series Direct Clutch Return Spring	1	
57987A	Retainer, A40 Series Low/Reverse Clutch Return Spring	1	
57989A	Retainer, A40 Series Coast Clutch Return Spring	1	
57991A	Linkage Assembly, A40 Series Internal	1	
57994A	Park Rod Actuator Assembly, A40/A41/A40D/A43D/A43DL (10 5/8" Long)	1	
57994D	Park Rod Actuator Assembly, A42D/A43DE/A44DL (10 5/8" Long)	1	
57994E	Park Rod Actuator Assembly, A42DL/A43 (9 7/8" Long)	1	
57994J	Park Rod Actuator Assembly, A44D (11 5/8" Long)	1	
57994L	Park Rod Actuator Assembly, A43 (11 1/4" Long)	1	
57994Y	Park Rod Actuator Assembly, BW55 (Volvo) (10 1/4" Long)	1	
57995A	Park Pawl Assembly, A40/A41/A40D/A43D/A43DE/A43DL/A44D/A44DL	1	
57995D	Park Pawl Assembly, A42D/A42DL/A43	1	
57996A	Cooler Line Fitting, A40 Series	1	
57999C	Oil Tube Set, A40D Valve Body	2	
57999D	Oil Tube Set, A42D Valve Body	1	
57999E	Oil Tube Set, A42DL Valve Body	1	
57999G	Oil Tube Set, A43DL Valve Body	1	
57999H	Oil Tube Set, A43DE Valve Body	1	
57999J	Oil Tube Set, A44D Valve Body	1	
57999R	Oil Tube Set, A44DL Valve Body	1	
57999S	Oil Tube Set, A43D Valve Body	1	

TOYOTA



# A40 thru A46DL (03-50 thro 03-72L)

---

RWD 3 & 4 Speed

TOYOTA