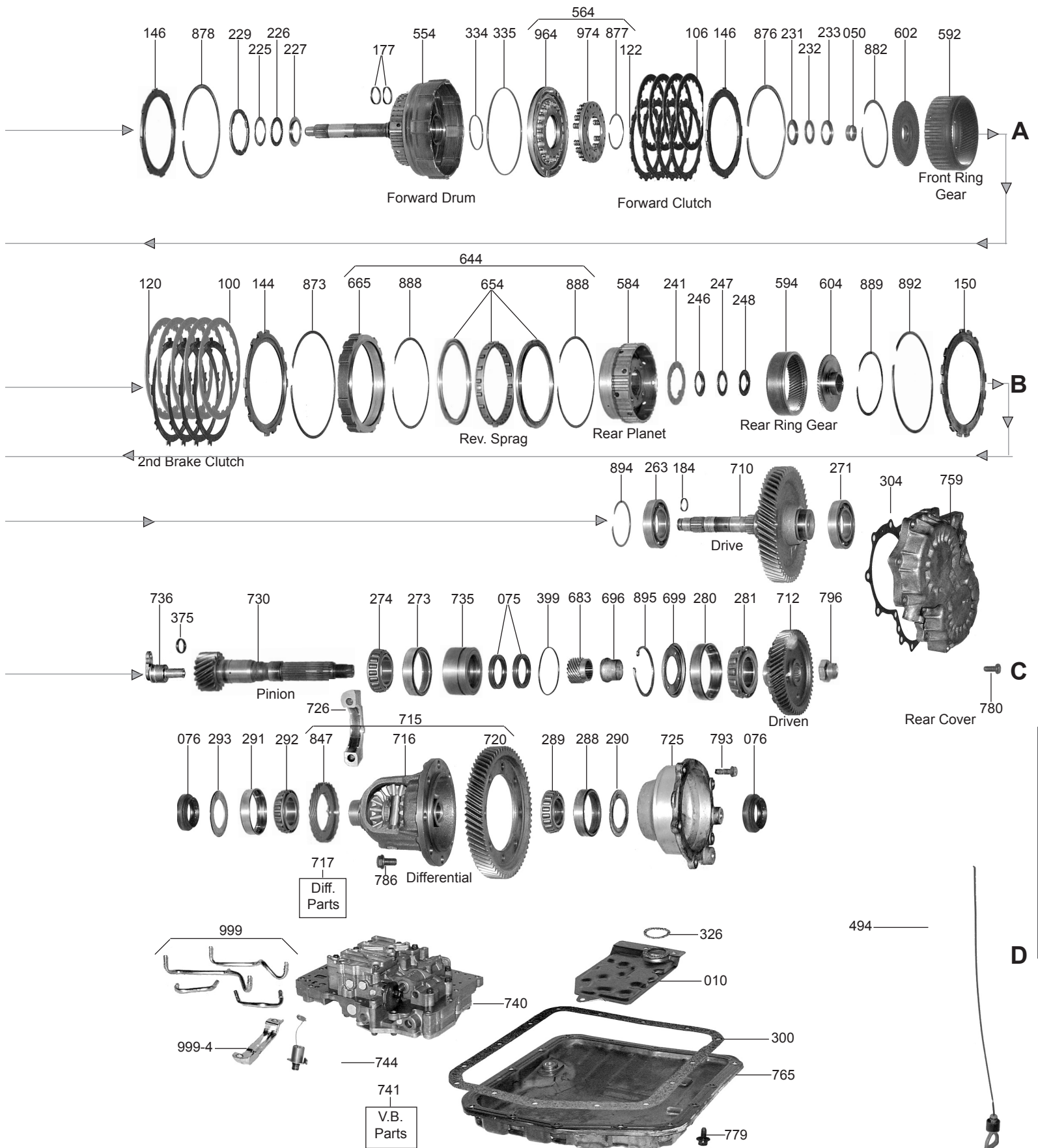


TOYOTA

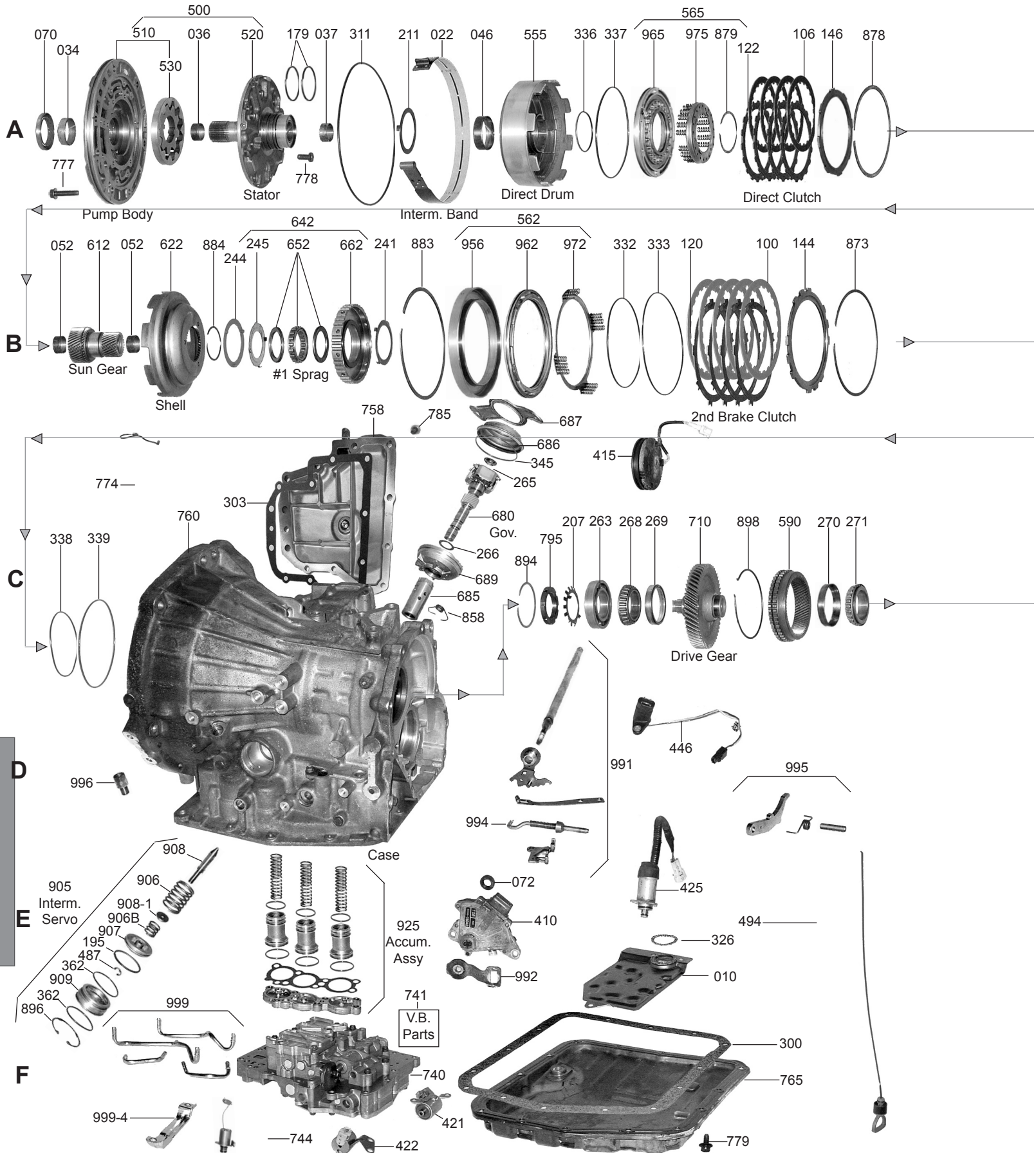


TOYOTA

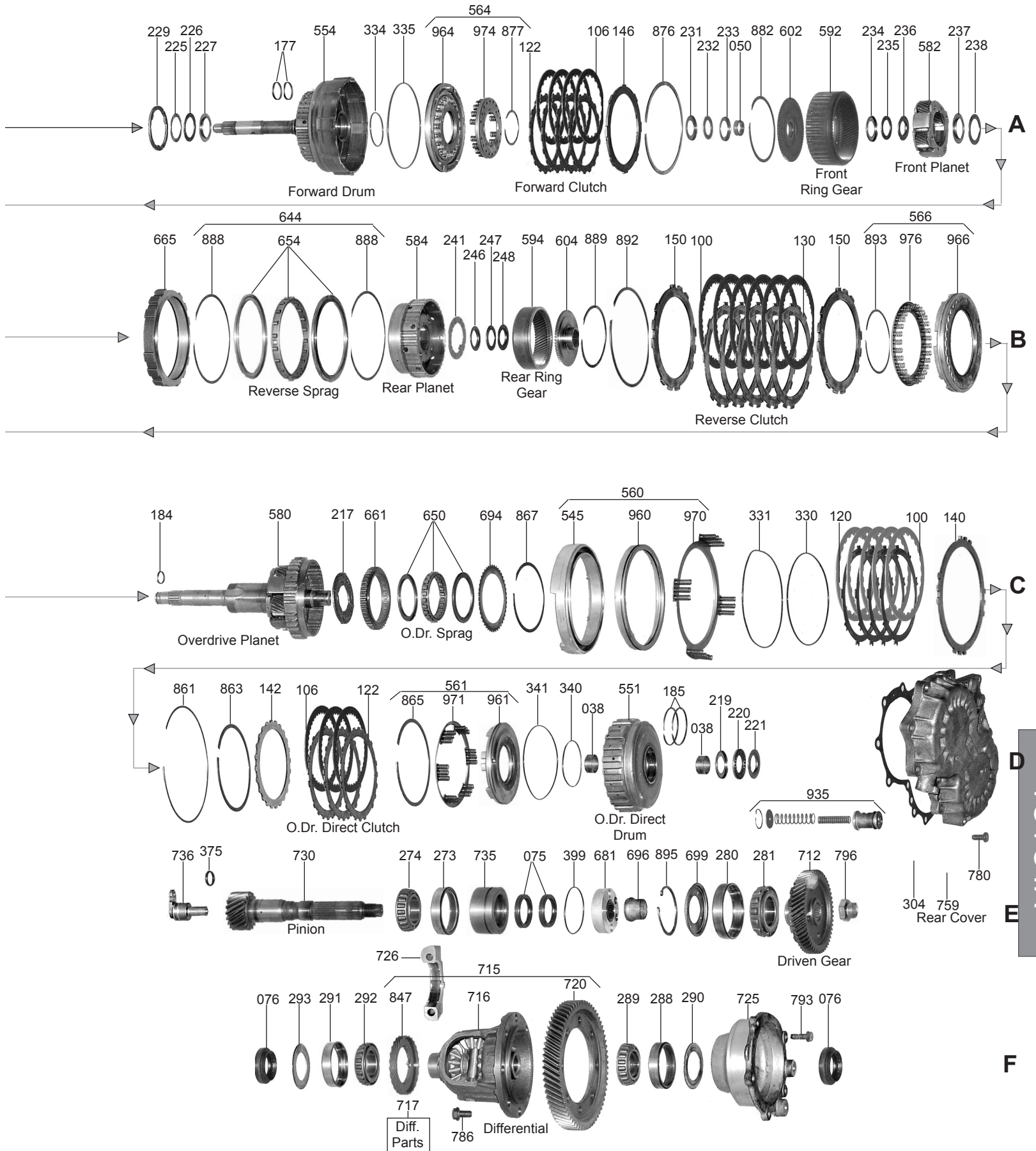
A140 / A141 / A142



FWD 4 Speed



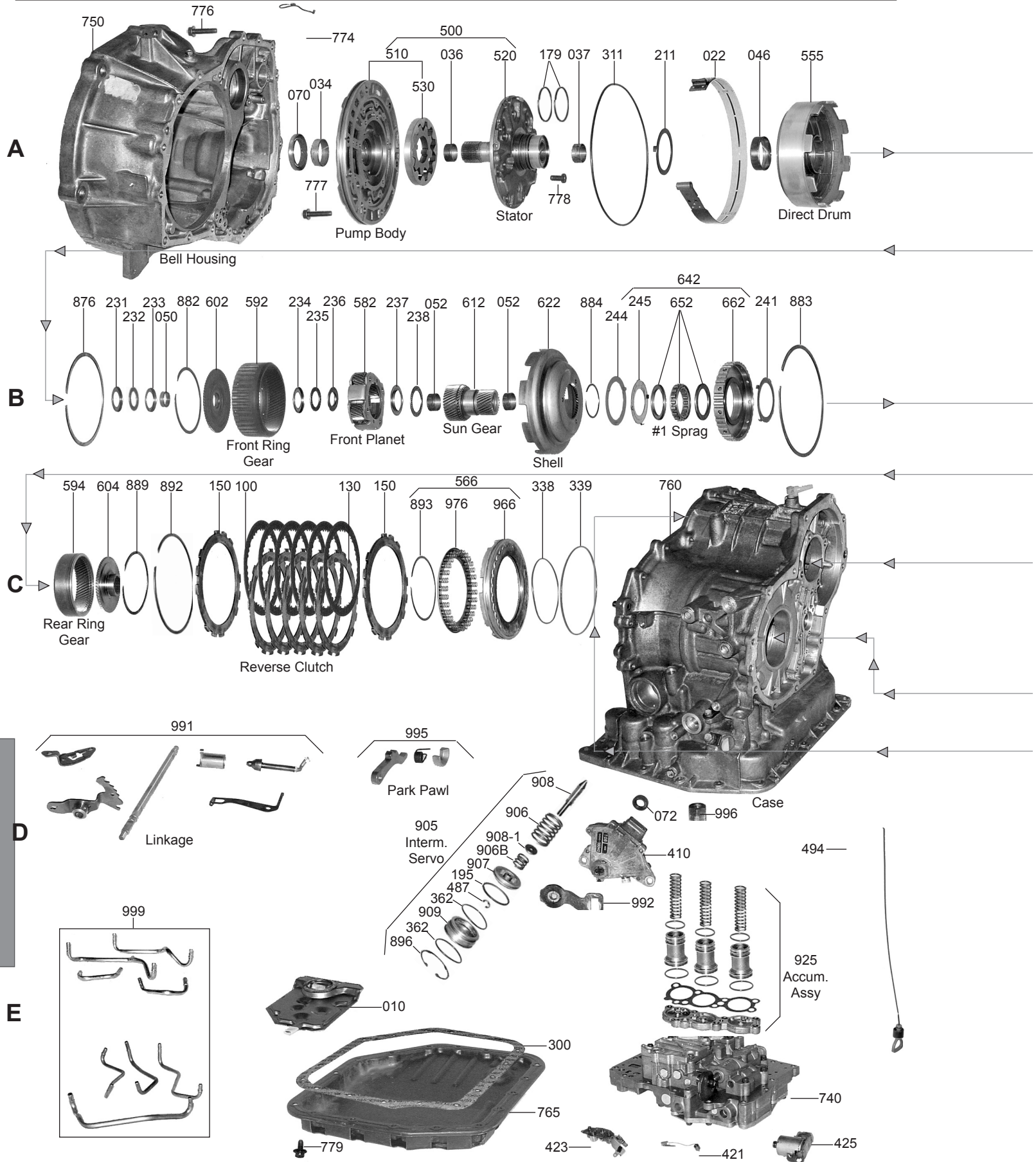
TOYOTA



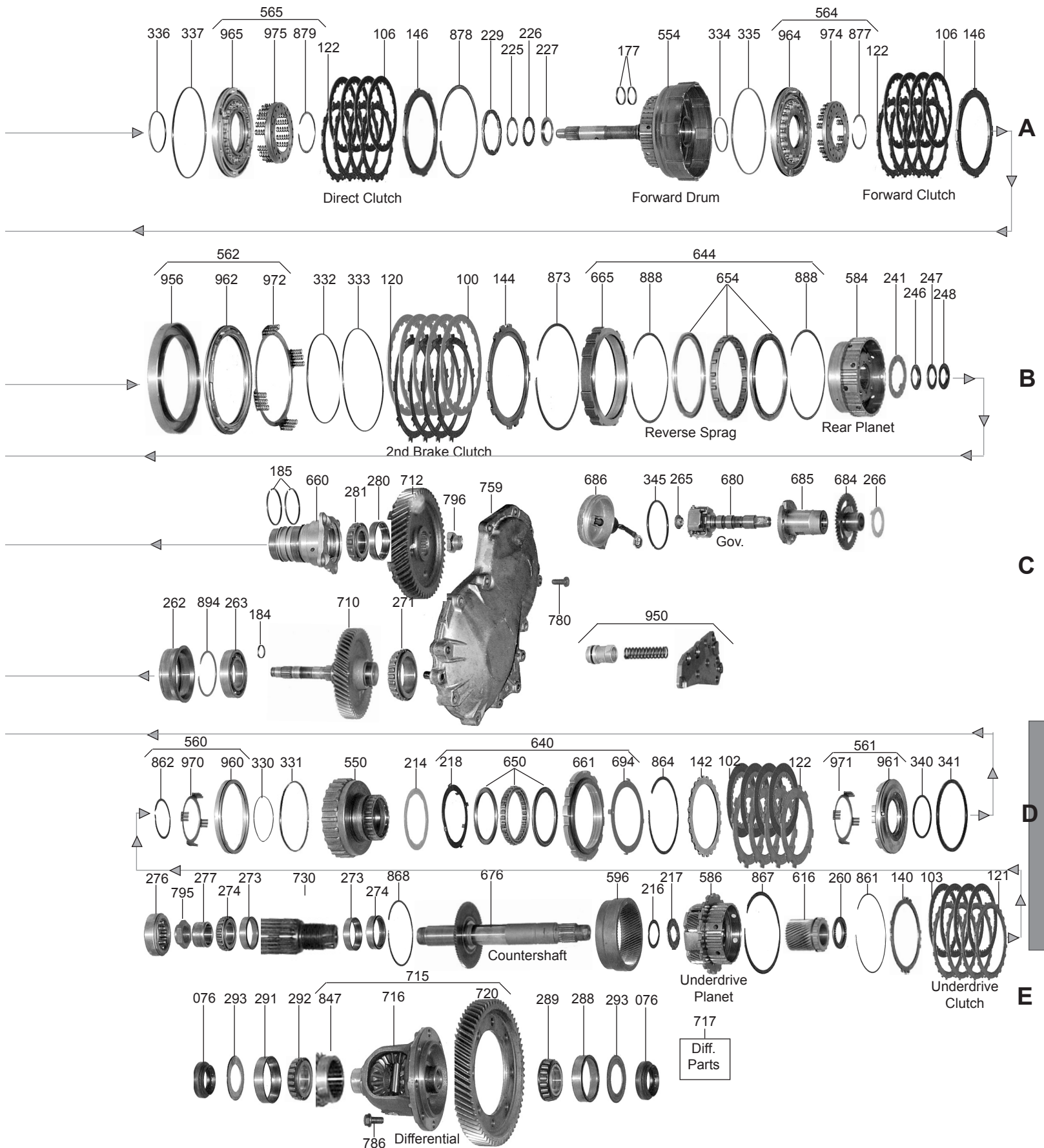
A240 Thru A247



FWD 4 Speed Underdrive



TOYOTA



A130 thru A247



FWD 3 & 4 Speed

PART #	PAPER & RUBBER KIT	QTY.	REFERENCE #
67000B	Paper & Rubber Kit, A130/A131/A132 1984-Up	1	
67000C	Paper & Rubber Kit, A140/A141/A143 1983-Up	1	
67000D	Paper & Rubber Kit, A240/A241/A242L/A243L/A244E 1985-Up	1	
67000DA	Paper & Rubber Kit, A245E/A246E/A247E 1992-Up	1	

PART #	OVERHAUL KITS	QTY.	REFERENCE #
67002B	Overhaul Kit, A130/A131/A132 1984-96	1	
67002C	Overhaul Kit, A140/A141/A143 1983-Up	1	
67002D	Overhaul Kit, A240/A241/A242L/A243L/A244E 1985-Up	1	
67002DA	Overhaul Kit, A245E/A246E/A247E 1992-Up	1	
67002DBF	Overhaul Kit, A245E 2003-Up	1	

PART #	MASTER L/STEEL KIT	QTY.	REFERENCE #
67004B	Master L/Steels Kit, A130/A131/A132 1984-Up	1	
67004C	Master L/Steels Kit, A140E/A141E (MR2) 1983-E1986	1	
67004CA	Master L/Steels Kit, A140E/A140L/A141L (Camry L1986-8/1991, Celica L1986-8/1993)	1	
67004CB	Master L/Steels Kit, A140E/A140L/A143 (Camry 8/1991-Up, Celica 9/1993-Up)	1	
67004D	Master L/Steels Kit, A240/A241/A242L/A243L/A244E (Corolla 8/1984-5/1992, Celica 9/1985-1993, MR2 6/1986-1993)	1	
67004DA	Master L/Steels Kit, A245E/A246E/A247E 6/1992-02	1	
67004DBF	Master L/Steels Kit, A245E 2003-Up	1	

PART #	MASTER W/STEEL KIT	QTY.	REFERENCE #
67006B	Master W/Steels Kit, A130/A131/A132 1984-Up	1	
67006C	Master W/Steels Kit, A140E/A141E (MR2) 1983-E1986	1	
67006CA	Master W/Steels Kit, A140E/A140L/A141E (Camry L1986-8/1991) (Celica L1986-8/1993)	1	
67006CB	Master W/Steels Kit, A140E/A140L/A143 (Camry 8/1991-Up) (Celica 9/1993-Up)	1	
67006D	Master W/Steels Kit, A240/A241/A242L/A243L/A244E (Corolla 8/1984-5/1992, Celica 9/1989-1993, MR2 6/1986-1993)	1	
67006DA	Master W/Steels Kit, A245E/A246E/A247E 1992-02	1	
67006DBF	Master W/Steels Kit, A245E 2003-Up (Farpak)	1	

PART #	FILTER	QTY.	REFERENCE #
67010B	Filter, A130/A140 (With Square Pick-Up) (2"x2 1/4") 1983-97	1	35330-32022
67010BA	Filter, A130/A140 (With Rectangle Pick-Up Opening 1/2" x 2 1/4") 1983-Up	1	61576
67010D	Filter, A240/A241/A243 2WD 1985-Up	1	
67010DA	Filter, A245E/A246E 1993-2	1	
6710DB	Filter, A241H AWD 198-Up (MR2, Paeo, RAV, Terce AWD)	1	3533-12020
67010DC	Filter, A25E / A246E 2003-Up	1	
87010	Filter, A140 AWD (Outlet Hole On Valve Body Side Is 1.015"ID x 1.165"ID)	1	

TOYOTA



PART #	FILTER KIT	QTY.	REFERENCE #
67011B	Filter Kit, A130/A140 (1.5L, 1.6L, 2.2L Engine) With Square Pick-Up (2" x 2 1/4") 1983-97	1	
67011BA	Filter Kit, A130/A140 (1.6L, 1.8L, 2.0L & 2.2L Engine) With Rectangle Pick-Up (1/2" x 2 1/4") 1989	1	
67011C	Filter Kit, A140 4x4	1	
67011D	Filter Kit, A240/A241/A243 2WD 1985-Up	1	
67011DA	Filter Kit, A245E/A246E 1993-Up	1	

FWD 3 & 4 Speed



A130 thru A247

PART #	BANDS	QTY.	REFERENCE #
67022B	Band, A130/A140/A240 (1" Wide) 1983-Up	1	35810-32020

PART #	BUSHINGS	QTY.	REFERENCE #
67030B	Bushing Kit, A130/A140/A240 1983-Up	1	
57034A	Bushing, A130/A140/A240 Pump Body (1.500"ID)(Brass With Oil Pockets)	1	
57036B	Bushing, A130/A140/A240 Stator (Front)	1	
67037A	Bushing, A130/A140/A240 Stator (Rear)	1	
67038C	Bushing, A140/A240 Overdrive Direct Drum (Or Overdrive Sun Gear)	2	
67046A	Bushing, A130/A140/A240 Direct Drum	1	
67050B	Bushing, A130/A140/A240 Input Hub 1983-Up	1	
67052A	Bushing, A130/A140/A240 Sun Gear	2	
67063D	Bushing, A240 Driven Governor Gear To Case	1	

PART #	METAL CLAD SEALS	QTY.	REFERENCE #
57070A	Seal, A130/A140/A240 Pump 1983-Up	1	90311-38020
60072	Seal, A130/A140/A240 Linkage	1	
67075A	Seal, A130 Pinion Shaft 1983-Up	2	
67076B	Seal, A130/A140/A240 Axle (2.137"OD) 1983-Up	1	90311-34007
67076BA	Seal, A130/A140/A240 Axle (2.180"OD) 1983-Up	2	90311-35010
67076BC	Seal, A130/A140/A240 Axle (2.492"OD) 1983-Up	1	90311-34013
67077D	Seal, A241 (Corolla AWD) Axle (Drivers Side) 1989-92	1	90311-44004
127077A	Seal, A131 Axle (Drivers Side) (2.210"OD) 2000-Up	1	
57078A	Seal, A130/A140/A240 Speed-O Housing	1	

PART #	FRICITION CLUTCH	QTY.	REFERENCE #
67100A	Friction, A130/A140/A240 2nd Brake/Reverse/Overdrive Brake Clutch .067" (33 Teeth) (5.60"OD)	9-12	35677-32040
67100B	Friction, A132L/A140 Reverse Clutch .059" (33 Teeth) (5.60"OD) 1993-Up	5-6	
67100C	Friction, A140 Overdrive Brake .075" (24 Teeth) (6.50"OD)	3	35677-20010
67100CA	Friction, A140/A240 2nd Brake Clutch .075" (33 Teeth) (5.60"OD) 1986-Up	3	
67100D	Friction, A245E Reverse Clutch .069" (33 Teeth) (5.60"OD) 1993-Up	5-6	
67102D	Friction, A240 Underdrive Brake Clutch .067" (26 Teeth) (4.30"OD) 1985-92	3-4	
67102DA	Friction, A240 Underdrive Brake .069" (26 Teeth) (4.30"OD) 1993-Up	3	
67102DB	Friction, A240 Underdrive Brake .075" (34 Teeth) (4.30"OD) (Use 67103C)	3-4	
67103C	Friction, A140 4x4 Differential Lock .075" (34 Teeth) (4.30"OD) (Also Fits A240 Underdrive Brake)	3-11	34261-12020
67106A	Friction, A130/A140/A240 Forward/Direct/Overdrive Direct Clutch .067" (40 Teeth) (4.975"OD)	2-9	35633-32050
67106C	Friction, A140/A240 Direct/Overdrive Direct Clutch .075" (40 Teeth) Smooth (4.975"OD) 1986-Up	2-6	35633-32031

PART #	STEEL CLUTCH	QTY.	REFERENCE #
67120B	Steel, A130/A140/A240 2nd Brake Clutch .071" (12 Teeth) (4.60"ID) (With 4 Notched Teeth) 1983-Up	3-4	34648-32010
67120C	Steel, A140 Overdrive Brake Clutch .071" (12 Teeth) (4.60"ID) 1983-86 (Also Fits A130/A140/A240 Reverse Clutch 1983-Up)	3-12	
67120CA	Steel, A140 Overdrive Brake Clutch .071" (12 Teeth) (5.60"ID) (With 4 Notched Teeth) 8/1986-Up	6	35648-20010
67120CB	Steel, A140 Overdrive Brake .098" (12 Teeth) (5.60"ID) 1991-Up	2	
67121D	Steel, A240E/A240L/A241E Underdrive Clutch .071" (20 Teeth) (3.56"ID) 1985-Up	3-12	34264-12010
67121DA	Steel, A240 Underdrive Clutch .071" (8 Teeth) (3.420"ID) 1993-Up	3	34264-12020
67122A	Steel, A130/A140/A240 Forward/Direct/Overdrive Direct Clutch .071" (8 Teeth) (4.160"ID)	3-9	
67122C	Steel, A140 Overdrive Direct Clutch .071" (20 Teeth) (4.145"ID) 8/1986-Up	2-3	35634-20010
67122D	Steel, A240 Underdrive Brake Clutch .071" (8 Teeth) (3.15"ID)	3	61475
67130B	Steel, A130/A140/A240 Reverse Clutch .071" (12 Teeth) (4.60"ID) (Use 67120C)	5-8	35648-32020
67130D	Steel, A240 Reverse .071" (12 Teeth) (4.72"ID) 1993-Up	5-8	

PART #	CLUTCH PRESSURE PLATES	QTY.	REFERENCE #
67140C	Pressure Plate, A140 Overdrive Brake Clutch	1	
67140D	Pressure Plate, A240 Underdrive Clutch	1	
67142CA	Pressure Plate, A140 Overdrive Direct Clutch (24 Teeth) (3.08mm) 8/1986-Up	1	
67142D	Pressure Plate, A240 Underdrive Brake Clutch	1	

TOYOTA

A130 thru A247



FWD 3 & 4 Speed

PART #	CLUTCH PRESSURE PLATES (Continued)	QTY.	REFERENCE #
67144B	Pressure Plate, A130/A140/A240 2nd Brake Clutch	1	
67146A	Pressure Plate, A130/A140/A240 Forward & Direct Clutch (3.37mm) (8 Teeth)	1-2	
67146AA	Pressure Plate, A130/A140/A240 Forward & Direct Clutch (3.00mm) (8 Teeth)	1-2	
67146AB	Pressure Plate, A130/A140/A240 Forward & Direct Clutch (2.80mm) (8 Teeth)	1-2	
67146AC	Pressure Plate, A130/A140/A240 Forward & Direct Clutch (2.50mm) (8 Teeth)	1-2	
67146B	Pressure Plate, A130/A140/A240 Forward & Direct Clutch (3.60mm) (8 Teeth)	1-2	
67146BA	Pressure Plate, A130/A140/A240 Forward & Direct Clutch (3.83mm) (8 Teeth)	1-2	
67146BB	Pressure Plate, A130/A140/A240 Forward & Direct Clutch (4.22mm) (8 Teeth)	1	
67150A	Pressure Plate, A130/A140/A240 Reverse Clutch	1	

PART #	OIL SEALING RINGS	QTY.	REFERENCE #
67175B	Ring Kit, A130 1983-Up	1	
67175C	Ring Kit, A140E/A141E/A142L/A240E 1983-Up	1	
67175D	Ring Kit, A240 1985-Up	1	
67177AT	Ring, A130/A140/A240 Forward Clutch (Teflon)	2-3	
67179A	Ring, A130/A140/A240 Direct Clutch (Metal)	2	61200
67184AT	Ring, A130/A140/A240 Intermediate Shaft (Teflon)	1	
67185CT	Ring, A140 Overdrive Direct Clutch (Teflon)	2	
67185D	Ring, A240 Underdrive Support To Drum (Metal)	2	
67195AT	Ring, A130/A140/A240 2nd Coast Servo (Teflon)	1	

PART #	WASHERS & BEARINGS	QTY.	REFERENCE #
67207C	Lock Washer, A140 Overdrive Planet Bearing To Nut	1	90209-40001
67211AA	Washer, A130/A140/A240 Stator To Direct Drum	1	35616-32010
67214D	Washer, A240 Underdrive Drum To Sprag	1	
67216D	Race, A240 Underdrive Sun Gear To Countershaft	1	
67217C	Washer, A140 Overdrive Planet To Sprag (.057")	1	34737-32011
67217CA	Washer, A140 Overdrive Planet To Sprag (.109")	1	
67217D	Bearing, A240 Underdrive Sun Gear To Center Shaft	1	
67219C	Race, A140 Overdrive Drum To Rear Cover (Front) 1983-86	1	35789-32090
67219CA	Bearing W/Race, A140 Overdrive Drum To Rear Cover 1987-Up	1	90374-28013
67220C	Bearing, A140 Overdrive Drum To Rear Cover 1983-86	1	90374-28004
67221C	Race, A140 Overdrive Drum To Rear Cover (Rear) 1983-Up	1	35789-20020
67225A	Race, A130/A140/A240 Stator To Forward Drum (0.8mm) (Front)	1	35789-32020
67225AB	Race, A130/A140/A240 Stator To Forward Drum (1.4mm) (Front)	1	35789-32030
67226A	Bearing, A130/A140/A240 Stator To Forward Drum	1	90374-28005
67227A	Race, A130/A140/A240 Stator To Forward Drum (Rear)	1	35789-32010
67229A	Washer, A130/A140/A240 Direct Drum To Forward Drum 1983-Up (.138" Thick)(2.210"ID)	1	35616-32021
67231A	Race, A130/A140/A240 Forward Drum To Hub (Front) (Also Fits A130/A140/A240 Forward Hub To Planet) (Front)	1-2	35789-32040
67232A	Bearing, A130/A140/A240 Forward Drum To Hub (Also Fits A130/A140/A240 Forward Hub To Planet)	1-2	90374-22001
67233A	Race, A130/A140/A240 Forward Drum To Hub (Rear)	1	35789-32050
67233D	Race, A245 Forward Drum To Hub (Rear) 1993-95	1	35789-12040
67234A	Race, A130/A140/A240 Forward Hub To Front Planet (Front) (Use 67231A)	1	
67235A	Bearing, A130/A140/A240 Forward Hub To Front Planet (Use 67232A)	1	
67235D	Bearing, A245 Forward Hub To Front Planet 1993-95	1	90374-25007
67236A	Race, A130/A140/A240 Forward Hub To Front Planet (Rear)	1	35789-32060
67237A	Race, A130/A140/A240 Front Planet To Sun Gear (Front)	1	35789-32070
67238A	Bearing, A130/A140/A240 Front Planet To Sun Gear	1	90374-30006
67238D	Bearing, A245 Front Planet To Sun Gear 1993-95	1	90374-28011
67241A	Washer, A130/A140/A240 Rear Planet To Rear Ring Gear (Plastic) Tabs Are In The Center ID Of Washer Straight Across Center	1	35738-12010
67244A	Washer, A130/A140/A240 Shell To Sprag (2 3/4"OD) Plastic	1	35739-32011
67246A	Race, A130/A140/A240 Sun Gear To Ring Gear Hub (Front)	1	35789-22010
67247A	Bearing, A130/A140/A240 Sun Gear To Rear Ring Gear Hub (3 Piece Type)	1	90374-24002
67248A	Race, A130/A140/A240 Sun Gear To Rear Ring Gear Hub (Rear)	1	35789-32080
67260A	Bearing, A240 Underdrive Sun Gear To Support	1	
67262D	Race, A245E Case To Drive Transfer Gear (This Looks Like A Case Sleeve With 2 Cup Races Made Into It)	1	
67263B	Ball Bearing, A130/A240 Case To Intermediate Shaft (Also A240 Intermediate Shaft to Rear Cover)	1-2	90363-40024
67265A	Washer, A130/A140 Governor To Cover (Plastic)	1	
67265D	Washer, A240 Governor To Cover	1	
67266B	Washer, A130/A240 Governor Gear To Case	1	
67266C	Washer, A140 Under The Governor (Steel)	1	

TOYOTA

67271A	Ball Bearing, A130 Intermediate Shaft To Rear Cover	1	
67271D	Ball Bearing, A240 Intermediate Shaft To Rear Cover (Use 67263B)	1	90363-40024
67273D	Cup Race, A240 Center Shaft To Pinion	2	
67274B	Bearing W/Race, A130/A140 Pinion (18 Rollers)	1	
67274BA	Bearing W/Race, A130/A140 Pinion (20 Rollers)	1	90366-35084
67274BB	Bearing W/Race, A130/A140 Pinion (21 Rollers)	1	90366-35090
67274D	Tapered Bearing, A240 Center Shaft To Pinion	2	
67276D	Caged Roller Bearing, A240 Bell To Countershaft	1	
67277D	Race, A240 (Inner) For Roller Bearing #276	1	
67280B	Cup Race, A130/A140 Driven Transfer Gear	1	
67280D	Bearing, A240 Underdrive Drum Support To Driven Transfer Gear	1	
67281B	Tapered Bearing, A130/A140 Driven Transfer Gear	1	90366-40010
67281D	Roller Bearing, A240 Support To Center Driven Gear	1	
67289CA	Bearing W/Race, A140 Differential (Ring Gear Side) 23 Rollers 1987-Up (Cast # 44KB721)	1	90366-44001
67290B	Shim, A130/A140 Differential Bearing Cup Race To Aluminum Differential Retainer	1	
67292B	Bearing W/Race, A130 Differential (Both Sides) (20 Rollers) 1984-89 (Cast # TR080702J)	1-2	90368-38006
67292C	Bearing W/Race, A130/A140 Differential (Both Sides) (20 Rollers) 1984-86 6 (Cast # 57390A-N)	1-2	90368-40002
67292CB	Bearing W/Race, A140 Differential (Speed-O Gear Side) (24 Rollers) 1987-Up (Cast # TRA080702)	1	90366-40016
67293	Shim, A130/A140/A240 Between Differential Bearing Cup & Case	1	

PART # GASKETS & RUBBER COMPONENTS QTY. REFERENCE #

67300B	Gasket, A130/A140 Bottom Pan	1	35168-32010
67300D	Gasket, A240 Bottom Pan	1	
67300DA	Gasket, A245E/A246E Bottom Pan (18 Bolt) 1992-02	1	61170A
67300DB	Gasket, A245E/A246E Bottom Pan (18 Bolt) 2003-Up	1	
67303B	Gasket, A130L Differential Cover	1	
67303BA	Gasket, A131L Differential Cover	1	41182-12010
67303BB	Gasket, A132L Differential Cover	1	35144-10010
67303C	Gasket, A140 Differential Cover	1	
67304CB	Gasket, A140 Overdrive Cover (Rear Cover) 6/1991-01	1	
67304C	Gasket, A140 Overdrive Cover 1983-86	1	34112-32010
67311B	O-Ring, A130/A140/A240 Pump	1	90301-99024
67320DB	Gasket, A241H Valve Body (Upper) (Corolla AWD)	1	35433-12040
67321DB	Gasket, A241H Valve Body (Lower) (Corolla AWD)	1	35434-12020
67322DB	Gasket, A241H Valve Body Tube Cover (Corolla AWD)	1	35172-12020
67326B	Gasket, A130/A140 Filter	1	35339-32010
67326D	Gasket, A240 Filter	1	35339-12010
67345B	O-Ring, A130/A140 Governor Cover	1	90301-67001
67375A	O-Ring, A130/A140 Pinion Center Plug	1	
67399B	O-Ring, A130/A140 Pinion Retainer	1	

PART # TECHNICAL MANUALS QTY. REFERENCE #

67400A	Use 67401A	1	
67400B	Technical Manual, A130	1	83-130TM
67400C	Technical Manual, A140	1	83-TOY140TM
67400D	Technical Manual, A240	1	83-TOY240TM
67401A	CD, Technical Manual, (MX17, Sprint, Suzuki) On CD Rom	1	

PART # ELECTRICAL COMPONENTS QTY. REFERENCE #

67410A	Neutral Switch, A130/A140/A240 (9 Prong Connector) (Connector Is 1 1/4" Long & 1/2" Wide)	1	
67410AA	Neutral Switch, A130/A140/A240 (9 Prong Connector) (Connector Is 3/4" Long & 1/2" Wide)	1	
67415C	Sensor, A140 (Replaces Governor) Plastic Housing	1	
67415CA	Sensor, A140 (Replaces Governor) Aluminum Housing (2 Prong Round Connector)	1	
67415CB	Sensor, A140 (Replaces Governor) Aluminum Housing (2 Prong Oval Connector)	1	
67420CK	Solenoid, A140/A141E Shift (2 Solenoid & 2 Brackets) 1984-Up (Also Fits A240E/A241E/A244E 1987-99) (Rostra)	1	52-0230
67420DK	Solenoid Kit, A240E/A241E/A244E (2 Shift & 2 Lock-Up Solenoids) 1987-99 (Rostra)	1	52-9001
67420DAK	Solenoid Kit, A245E/A246E/A247E (2 Shift Solenoids & 1 Bracket) 1989-04 (Rostra)	1	
67420DBK	Solenoid Kit, A245E/A246E/A247E (2 Shift, 1 EPC & 1 Lock-Up Solenoids) 1989-04 (Rostra)	1	52-9004
67420DCK	Solenoid Kit, A245E/A246E/A247E (2 Shift, 1 EPC & 1 Lock-Up Solenoids With Brackets) 2002-04 (Rostra)	1	
67420DDK	Solenoid Kit, A245E/A246E/A247E (2 Shift, 1 EPC & 1 Lock-Up Solenoids With Brackets) 2004-Up (Rostra)	1	

TOYOTA

A130 thru A247



FWD 3 & 4 Speed

PART #	ELECTRICAL COMPONENTS (Continued)	QTY.	REFERENCE #
T67171DA	Reprogramming Kit, A245E (Hot Rod/Street Show Off) (Transgo) (Toyota Corolla 1993-02) Geo Prizm 1993-01) (For Nitrous Or Turbo)	1	
67421C	Solenoid, A140 1-2 Shift (With Bracket)	1	85420-32020
67421D	Solenoid, A240E/A241E Shift (With Bracket) 1987-99	2	52-0204
67422C	Solenoid, A140 2-3 Shift (With Bracket)	1	85420-32040
67423D	Solenoid, A240 Underdrive (With Bracket)	1	
67425B	Solenoid, A140 Lock-Up (External With Wire Harness) 1 Prong Round Connector	1	
67425BA	Solenoid, A140 Lock-Up (External With Wire Harness) 2 Prong Triangle Connector	1	
67425BB	Solenoid, A140 Lock-Up (External With Connector Made On The Solenoid) 1 Prong	1	
67425D	Solenoid, A240 Lock-Up (With Bracket)	1	
67425DA	Solenoid, A245E/A246E Lock-Up (With Bracket)	1	
67431D	Solenoid, A245E/A246E SLT (EPC)(3 7/8" Long)(2 Blade) 2002-03	1	
67431DA	Solenoid, A245E/A246E/A247E SLT (EPC) (3 7/8" Long)(2 Pins) 2004-Up	1	
67431DC	Solenoid, A245E (#3) (EPC) (1 3/8" Long)(1 Blade)(With 2 Bolt Bracket) 2001-Up	1	
67436C	Sensor, A140 VSS (3 Prong Connector, With Driven Speed-O Gear)(5 7/16" Overall Length) (.865"OD Where Housing Goes Into The Case)	1	
67436D	Sensor, A240 VSS (3 Prong Connector, With Driven Speed-O Gear)(5" Overall Length) (.865"OD Where Housing Goes Into The Case)	1	
67446CA	Wire Harness, A140 (Internal With 2 Prong Connector)	1	
67446CE	Wire Harness, A140 (Internal With 5 Prong Connector)	1	

PART #	HARD PARTS	QTY.	REFERENCE #
67500A	Pump Complete, A240 1985-Up (67510A & 67520A)	1	
67500B	Pump Complete, A130/A140 (Toyota Built) 11/1984-Up (67510BB & 67520BA)	1	
67500BA	Pump Complete, A130/A140 (Aisin Warner Built) 4/1984-Up (67510BA & 67520A)	1	
67500C	Pump Complete, A140 (Toyota Built) 1/1983-4/1983 (67510C & 67520C)	1	
67510A	Pump Body W/Gears, A240 (With 6 Bolts To Case) 1985-Up	1	
67510BA	Pump Body W/Gears, A130/A140 (Aisin Warner Built) 1984-Up (7 Bolts To Case)	1	
67510BB	Pump Body W/Gears, A130/A140 (Toyota Built) 11/1984-Up (7 Bolts To Case)	1	
67510C	Pump Body W/Gears, A140 (7 Bolts To Case) 1/1983-4/1983 (Fits 67520C Stator)	1	

PART #	PUMP COMPONENTS	QTY.	REFERENCE #
67520A	Stator, A130/A140/A240 Flat Pads (1.850"OD Of Direct Drum Bushing Support) With Bushing Inside Rear 4/1983-Up (With Short Vent Channel)	1	35370-32022
87520A	Stator, Some A240 (Late With Bearing Inside)	1	
67520BA	Stator, A130/A140 Stepped Pads (Toyota Built) 11/1984-Up	1	35370-32031
67520C	Stator, A140 Flat Pads (With Long Vent Channel) 1/1983-4/1983	1	35370-32010
67529A	Shaft, A130/A140/A240 Stator Shaft Tube	1	90374-22002

PART #	HARD PARTS (Continued)	QTY.	REFERENCE #
67545C	Housing, A140 Overdrive Brake Piston	1	
67550D	Drum, A240 Underdrive Clutch	1	
67551C	Drum, A140 Overdrive Direct (8 Teeth On Pressure Plate) 1983-7/1986	1	34601-32011
67551CA	Drum, A140 Overdrive Direct (24 Teeth On Pressure Plate) 8/1986-Up	1	
67554A	Drum, A130/A140/A240 Forward With Shaft (3 Clutch) 2/1984-Up	1	35701-32021
67554B	Drum, A130/A140/A240 Forward With Shaft (3 Clutch) 1/1983-1/1984	1	35701-32010
67554C	Drum, A140/A240 Forward With Shaft (4 Clutch) 5/1984-Up (With 2 Rings On Shaft)	1	35701-32031
67554CA	Drum, A140/A240 Forward With Shaft (4 Clutch) With 3 Rings On Shaft	1	
67555BA	Drum, A130 Direct (2 Clutch) 1 7/8"ID Bushing 8/1983-1/1984	1	35605-32020
67555BB	Drum, A130/A240 Direct (2 Clutch) 1 7/8"ID Bushing 1/1984-Up	1	35605-20020
67555C	Drum, A140 Direct (2 Clutch) 1 7/8"ID Bushing 1/1983-1/1984	1	35605-32010
67555CA	Drum, A140 Direct (3 Clutch) 1 7/8"ID Bushing 2/1984-Up (Piston Is .385" Thick) Uses 1" Wide Band	1	35605-32030
67555CB	Drum, A140 Direct (3 Clutch) 1 7/8"ID Bushing 2/1984-Up (Piston Is .471" Thick) Uses 1" Wide Band	1	
67560C	Piston Kit, A140 Overdrive Brake Clutch 1983-7/1986	1	
67560CA	Piston Kit, A140 Overdrive Brake Clutch 8/1986-Up	1	
67560D	Piston Kit, A240 Underdrive Clutch	1	
67561C	Piston Kit, A140 Overdrive Direct Clutch 1983-7/1986	1	
67561CA	Piston Kit, A140 Overdrive Direct Clutch (.860" Thick) 8/1986-Up	1	
67561CB	Piston Kit, A140 Overdrive Direct Clutch (.780" Thick) 8/1986-Up	1	
67561D	Piston Kit, A240 Underdrive Brake Clutch	1	
67562B	Piston Kit, A130/A140 2nd Brake Clutch (12 Springs)	1	
67564A	Piston Kit, A130/A140/A240 Forward Clutch (3 Clutch) 2/1984-Up	1	
67564B	Piston Kit, A130/A140 Forward Clutch (3 Clutch) 1/1983-1/1984	1	

TOYOTA



67564BA.....	Piston Kit, A140/A240 Forward Clutch (4 Clutch) 8/1984-Up.....	1	
67565B.....	Piston Kit, A130/A140 Direct Clutch (2 Clutch) 2.250"ID (.385" Thick Piston).....	1	
67565C.....	Piston, A140 Direct Clutch (2 Clutch) 2.250"ID (.471" Thick Piston).....	1	
67565CA.....	Piston Kit, A140 Direct Clutch (3 Clutch).....	1	
67566B.....	Piston Kit, A130/A140/A240 Reverse Clutch.....	1	
67571C.....	Clutch Hub, A140 Overdrive Brake (Is Also The Pressure Plate For The Overdrive Direct Clutch (8 Teeth) 1983-7/1986.....	1	34624-32010
67580C.....	Planet, A140 Overdrive With Shaft 1983-7/1986.....	1	34710-32040
67580CA.....	Planet, A140 Overdrive With Shaft 8/1986-Up.....	1	
67580C-6.....	Pin Plugs, A140 (Overdrive Planet Pinion Gear Pins).....	1	90334-03001
67582A.....	Planet, A130/A140/A240 Front.....	1	
67584A.....	Planet, A130/A140/A240 Rear (1.790" Overall Height).....	1	
67586D.....	Planet, A240 Underdrive.....	1	
67590C.....	Ring Gear, A140 Overdrive.....	1	
67592A.....	Ring Gear, A130/A140/A240 Front (1.550" Tall).....	1	35743-32040
67592AA.....	Ring Gear, A130/A140/A240 Front (1.437" Tall).....	1	35743-32010
67594.....	Ring Gear, A130/A140/A240 Rear (1.100" Tall).....	1	
67596D.....	Ring Gear, A240 Underdrive Input.....	1	
67602A.....	Hub, A130/A140/A240 Front Planet Ring Gear.....	1	
67604A.....	Hub, A130/A140/A240 Rear Planet.....	1	
67612B.....	Sun Gear, A130/A140/A240 (2 3/4" Long) 27 Teeth (1.465"OD Sprag Race).....	1	35706-32012
67616D.....	Sun Gear, A240 Underdrive.....	1	
67622A.....	Shell, A130/A140/A240 Input Sun (39 Inner Teeth).....	1	35790-32050

PART #	SPRAGS & ONE WAY CLUTCHES	QTY.	REFERENCE #
67640D.....	Sprag Assembly, A240 Underdrive.....	1	
67642B.....	Sprag Assembly, A130/A140/A240 One Way Clutch (1.465"ID) The 1.465"ID Is The OD Of The Sun Gear #67612B.....	1	35790-32050
97650.....	Sprag, A140 Overdrive (24 Lugs)(.450" Wide) 1985-Up.....	1	
57650C.....	Sprag, A130/A140/A240 One Way Clutch.....	1	
67650D.....	Sprag, A240 Underdrive Sprag.....	1	
67654A.....	Sprag, A130/A140/A240 #2 Sprag (20 Elements) (4.810"OD).....	1	
67660D.....	Inner Race, A240 Support (Underdrive Drum).....	1	
67661C.....	Outer Race, A140 Overdrive Sprag.....	1	34713-32010
67665A.....	Outer Race, A130/A140/A240 #2 Sprag (4.820"ID).....	1	35795-32010

PART #	HARD PARTS (Continued)	QTY.	REFERENCE #
67676D.....	Shaft, A240 Underdrive Input (Countershaft).....	1	35480-32022
67680B.....	Governor, A130/A140 (Gear Type).....	1	
67680D.....	Governor, A240 (Gear Type) Without Gear.....	1	
67680DA.....	Reluctor, A245E (Replaces Governor).....	1	
67681BA.....	Reluctor, A130/A140 (Replaces Governor Drive Gear).....	1	
67683B.....	Gear, A130/A140 Governor Drive.....	1	
67684D.....	Gear, A240 Driven (For Governor).....	1	
67685B.....	Support Sleeve, A130 Governor (Aluminum).....	1	
67685D.....	Support Sleeve, A240 Governor.....	1	
67686B.....	Cover, A130/A140 Governor (For Gear Type Governor).....	1	
67686D.....	Cover, A240 Governor.....	1	
67687B.....	Retainer, A130/A140 Governor Cover.....	1	
67689B.....	Adapter, A130 Governor Body Adapter (Aluminum).....	1	
67694C.....	Retainer, A140 Plate (Overdrive Sprag)(44 Teeth)(.039" Thick)(3.647"OD)(2.626"ID).....	1	34727-32010
67696B.....	Crush Sleeve, A130/A140 (For Pinion) 1" Long.....	1	41231-32010
67696D.....	Crush Sleeve, A240 (1/2" Long).....	1	41231-12030
67699B.....	Oil Slinger, A130/A140.....	1	
67710B.....	Gear, A130 Output With Intermediate Shaft (55 Teeth) No Groove.....	1	
67710BA.....	Gear, A130 Output With Intermediate Shaft (55 Teeth) 1 Groove.....	1	
67710C.....	Gear, A140 Counter Drive (37 Teeth).....	1	
67710CA.....	Gear, A140 Counter Drive (55 Teeth).....	1	
67710D.....	Gear, A240 Output With Intermediate Shaft (45 Teeth).....	1	
67710DA.....	Gear, A240 Output With Intermediate Shaft (56 Teeth) No Groove.....	1	
67710DB.....	Gear, A240 Output With Intermediate Shaft (56 Teeth) 1 Groove.....	1	
67710DE.....	Gear, A240 Output Without Intermediate Shaft (56 Teeth) With tapered Bearing.....	1	
67712B.....	Gear, A130/A140 Transfer Driven (35 Teeth) No Groove.....	1	
67712BA.....	Gear, A130/A140 Transfer Driven (35 Teeth) 1 Groove.....	1	
67712BB.....	Gear, A130/A140 Transfer Driven (52 Teeth).....	1	
67712D.....	Gear, A240 Transfer Driven (50 Teeth).....	1	

TOYOTA

A130 thru A247



FWD 3 & 4 Speed

PART #	HARD PARTS (Continued)	QTY.	REFERENCE #
67715B	Differential, A130/A140 (65 Teeth) 1 Groove	1	
67715BC	Differential, A130/A140 (67 Teeth) 3 Groove (8 1/2"OD Ring Gear)	1	
67715BD	Differential, A130/A140 (67 Teeth) 2 Groove	1	
67715BE	Differential, A130/A140 (67 Teeth) 3 Groove (7 1/2"OD Ring Gear)	1	
67715BG	Differential, A130/A140 (67 Teeth) 3 Groove (7 7/8"OD Ring Gear)	1	
67715BH	Differential, A130/A140 (67 Teeth) 3 Groove (8"OD Ring Gear)	1	
67715BJ	Differential, A130/A140 (68 Teeth) 1 Groove (20 Roller Bearing By Speed-O Side) 23 Roller Bearing Ring Gear Side	1	
67715BL	Differential, A130/A140 (68 Teeth) 1 Groove (24 Roller Bearing By Speed-O Side) 22 Roller Bearing Ring Gear Side	1	
67715BM	Differential, A130/A140 (69 Teeth) 5 Groove	1	
67715BN	Differential, A130/A140 (71 Teeth) 3 Groove (1 By Housing) Yellow Speed-O (22 Roller Bearing By Ring Gear)	1	
67715BP	Differential, A130/A140 (71 Teeth) 3 Groove (2 By Housing) Yellow Speed-O Gear	1	
67715BQ	Differential, A130/A140 (71 Teeth) 3 Groove (1 By Housing) Black Speed-O Gear (23 Roller Bearing By Ring Gear)	1	
67715BR	Differential, A130/A140 (71 Teeth) 3 Groove (1 By Housing) Black Speed-O Gear (22 Roller Bearing By Ring Gear)	1	
67715BS	Differential, A130/A140 (71 Teeth) 3 Groove (1 By Housing) Yellow Speed-O Gear (23 Roller Bearing By Ring Gear)	1	
67715BT	Differential, A130/A140 (71 Teeth) 3 Groove (2 By Housing) Yellow Speed-O Gear (22 Roller Bearing By Ring Gear)	1	
67715BU	Differential, A130/A140 (71 Teeth) 3 Groove (2 By Housing) Yellow Speed-O Gear (23 Roller Bearing By Ring Gear)	1	
67715BV	Differential, A130/A140 (71 Teeth) 3 Groove (2 By Housing) Black Speed-O Gear (23 Roller Bearing By Ring Gear)	1	
67715BW	Differential, A130/A140 (71 Teeth) 3 Groove (2 By Housing) Black Speed-O Gear (22 Roller Bearing By Ring Gear)	1	
67715BX	Differential, A130/A140 (71 Teeth) 4 Groove (23 Roller Bearing By Ring Gear) 1.732"ID Of Bearing	1	
67715BY	Differential, A130/A140 (71 Teeth) 4 Groove (22 Roller Bearing By Ring Gear) 1.575"ID Of Bearing	1	
67715BYG	Differential, A130/A140 (71 Teeth) 5 Groove (23 Roller Bearing By Ring Gear) Black Speed-O Gear	1	
67715BZ	Differential, A130/A140 (88 Teeth) No Groove	1	
67715D	Differential, A240 (79 Teeth) 1 Groove (20 Roller Bearing Both Sides) 1.485"ID Bearing On Differential Housing Side (1.638"ID Bearing On Ring Gear Side)	1	
67715DA	Differential, A240 (79 Teeth) 1 Groove (20 Roller Bearing Both Sides) 1.485"ID Of Both Bearings	1	
67715DC	Differential, A240 (80 Teeth) 4 Groove (35 Teeth Yellow Speed-O Gear)	1	
67715DE	Differential, A240 (77 Teeth) 2 Groove (35 Teeth Yellow Speed-O Gear)	1	
67715DG	Differential, A240 (77 Teeth) 5 Groove (35 Teeth Black Speed-O Gear)	1	
67715DH	Differential, A240 (77 Teeth) 5 Groove (35 Teeth Yellow Speed-O Gear)	1	
67715DJ	Differential, A240 (88 Teeth) No Groove (35 Teeth Black Speed-O Gear) 1.058"OD Of Axle Hole	1	
67715DL	Differential, A240 (88 Teeth) No Groove (35 Teeth Black Speed-O Gear) 1.095"OD Of Axle Hole	1	
67715DN	Differential, A240 (89 Teeth) 6 Grooves (27 Teeth Gray Speed-O Gear)	1	
67716B	Housing, A130 Differential (Less Ring Gear) Blue Speed-O Gear (20 Roller Bearing On Ring Gear Side) 21 Roller Bearing On Speed-O Side	1	
67716BA	Housing, A130 Differential (Less Ring Gear) Blue Speed-O Gear (27 Roller Bearings On Both Sides)	1	
67716BB	Housing, A130 Differential (Less Ring Gear) Blue Speed-O Gear (20 Roller Bearings On Both Sides)	1	
67716BC	Housing, A130 Differential (Less Ring Gear) Blue Speed-O Gear (21 Roller Bearings On Both Sides)	1	
67716BQ	Housing, A140 Differential (Less Ring gear) Black Speed-O Gear (23 Roller Bearing On Ring Gear Side) 24 Roller Bearing On Speed-O Side	1	
67725B	Retainer, A130 Differential Bearing	1	
67725C	Retainer, A140 Differential Bearing (2.705"OD)	1	
67725CA	Retainer, A140 Differential Bearing With Hole On Side	1	
67726B	Cap, A130 Differential Bearing Cup To Case With Bolts	1	
67726C	Cap, A140 Differential Bearing Cup To Case With Bolts	1	

TOYOTA



67730B	Pinion, A130/A140 (17 Teeth) 5 Groove	1	
67730BAK	Ring & Pinion, A140 (17 Teeth & 71 Teeth) 5 Groove Each	1	
67730BB	Pinion, A130/A140 (18 Teeth) No Groove	1	
67730BC	Pinion, A130/A140 (18 Teeth) 3 Groove	1	
67730BCK	Ring & Pinion, A130 (18 Teeth Pinion, 67 Teeth Ring Gear) 3 Groove Each	1	
67730BD	Pinion, A130/A140 (18 Teeth) 4 Groove (1 Next To Bearing)	1	
67730BDK	Ring & pinion, A140 (18 Teeth Pinion, 71 Teeth Ring Gear) 4 Grooves Each	1	
67730BE	Pinion, A130/A140 (18 Teeth) 4 Groove (3 Next To Bearing)	1	
67730BF	Pinion, A130/A140 (19 Teeth) 2 Groove	1	
67730BFK	Ring & Pinion, A130/A140 (19 Teeth Pinion, 67 Teeth Ring Gear) 2 Grooves Each (3.52 Ratio)	1	
	(Can Use 67730BGK)	1	
67730BG	Pinion, A130/A140 (19 Teeth) 1 Groove In Center	1	
67730BGK	Ring & Pinion, A130/A140 (19 Teeth Pinion, 65 Teeth Ring Gear) 1 Groove Each (3.42 Ratio)	1	
	(Can Use 67730BFK)	1	
67730BH	Pinion, A130/A140 (19 Teeth) 1 Groove At Edge	1	
67730BJ	Pinion, A130/A140 (19 Teeth) 3 Groove (1 Next To Bearing)	1	
67730BJK	Ring & Pinion, A140 (19 Teeth Pinion, 71 Teeth Ring Gear) 3 Grooves Each (3.74 Ratio)	1	
67730BK	Ring & Pinion, A130 (17 Teeth Pinion, 69 Teeth Ring Gear) 5 Grooves Each	1	
67730BL	Pinion, A130/A140 (19 Teeth) 3 Grooves (2 Next To Bearing)	1	
67730BM	Pinion, A130/A140 (20 Teeth) 1 Groove In Center	1	41211-32010
67730BMK	Ring & pinion, A140 (20 Teeth Pinion, 68 Teeth Ring Gear) 1 Groove In Center (3.40 Ratio)	1	
67730BN	Pinion, A130/A140 (20 Teeth) 2 Groove	1	
67730D	Pinion Gear, A240 (28 Teeth) 1 Groove (With Governor Drive Gear)	1	
67730DA	Pinion Gear, A240 (28 Teeth) 1 Groove (No Governor Drive Gear)	1	
67730DE	Pinion Gear, A240 (29 Teeth) 5 Groove	1	
67730DF	Pinion Gear, A240 (29 Teeth) No Groove (No Governor Drive Gear)	1	
67730DJ	Pinion Gear, A240 (27 Teeth) 4 Groove	1	
67735B	Retainer, A130/A140 Pinion (Aluminum With Seal) Can Use 67735BA	1	
67735BA	Retainer, A130/A140 Pinion (Steel Without Ring) Can Use 67735B	1	
67736B	Pinion Center, A130/A140 (Aluminum) 1 Bolt (1.020"OD)	1	
67740B	Valve Body, A130 Non Lock-Up (Has An Aluminum Rod In Lock-Up Valve Bore)	1	
67740BA	Valve Body, A130 Lock-Up (Has Valve & Spring In Lock-Up Valve Bore)	1	
67740C	Valve Body, A140 (No Solenoids)	1	
67740CA	Valve Body, A140 (With 2 Solenoids)	1	
67740D	Valve Body, A240 (With 2 Solenoids)	1	
67740DA	Valve Body, A240 (With 3 Solenoids)	1	
67740DB	Valve Body, A245E (With 3 Solenoids)	1	
67740DC	Valve Body, A240 (With 1 Solenoids)	1	

PART #	VALVE BODY COMPONENTS	QTY.	REFERENCE #
S67741BT-2	Sleeve, A130 TV Boost Valve (Sonnax)	1	
S67741CT-2	Sleeve, A140 TV Boost Valve (Large Ratio) (Sonnax)	1	

PART #	HARD PARTS (Continued)	QTY.	REFERENCE #
67750D	Bell Housing, A240 (Starter At 3:00) 18 Bolts To Case	1	
67750DA	Bell Housing, A240 (19 Bolts To Case) Cast # 9110	1	
67750DB	Bell Housing, A240 (Double Starter) 18 Bolts To Case (Cast # 9115)	1	
67750DC	Bell Housing, A240 (Starter At 1:00) 18 Bolts To Case (Cast # 9117)	1	
67750DD	Bell Housing, A240 (Starter At 11:00) 17 Bolts To Case (Cast # 9130)	1	
67750DG	Bell Housing, A245E (Starter At 2:00) 17 Bolts To Case (Cast # 9132)	1	
67750DH	Bell Housing, A240 (Starter At 11:00) 18 Bolts To Case (Cast # 9112)	1	
67750DJ	Bell Housing, A240 (Starter At 11:00) 19 Bolts To Case (Cast # 9114)	1	
67750DK	Bell Housing, A240 (Starter At 11:00) 19 Bolts To Case (AWD) (Cast # 9116)	1	
67758B	Differential Cover, A130 (Toyota)	1	
67758BA	Differential Cover, A130 (Nova)	1	
67758C	Differential Cover, A140 (Smooth) No Fins 1983-86	1	
67758CA	Differential Cover, A140 (With Fins) 1987-Up	1	

TOYOTA

A130 thru A247



FWD 3 & 4 Speed

PART #	HARD PARTS (Continued)	QTY.	REFERENCE #
67759B	Rear Cover, A130 (11 Bolt) No Mount	1	
67759BA	Rear Cover, A130 (11 Bolt) With 3 Bolt Mount	1	
67759C	Rear Cover, A140 (Overdrive) 11 Bolt (No Mount) 1983-7/1986 (Part # 545 Bolts In The Cover)	1	34101-32021
67759CA	Rear Cover, A140 (Overdrive) 11 Bolt (With 2 Bolt Mount) 8/1986-Up	1	
67759CAK	Overdrive Assembly, A140 (11 Bolt Cover) With 2 Bolt Mount 8/1986-Up (Contains: #795 To #759)	1	
67759CB	Rear Cover, A140 (Overdrive) 12 Bolt (With 4 Bolt Mount) 8/1986-Up	1	
67759CBK	Overdrive Assembly, A140 (12 Bolt Cover) With 4 Bolt Mount 8/1986-Up (Contains: #795 To #759)	1	
67759CC	Rear Cover, A140 (Overdrive) 11 Bolt (No Mount) 8/1986-Up (Part # 545 Slides In The Cover)	1	
67759CCK	Overdrive Assembly, A140 (11 Bolt Cover) No Mount 8/1986-Up (Contains #795 To #759)	1	
67759CK	Overdrive Assembly, A140 (11 Bolt Cover) No Mount 1983-7/1986 (Contains: #795 To #759)	1	
67759D	Rear Cover, A240 (13 Bolt Holes)	1	
67760B	Case, A130 (Starter At 3:00) 15 Round Holes Bell To Motor	1	
67760BA	Case, A130 (Starter At 3:00) 14 Round Holes Bell To Motor	1	
67760BB	Case, A130 (Starter At 11:00) 14 Round Holes Bell To Motor	1	
67760BC	Case, A130 (Double Starter) 14 Round Holes Bell To Motor	1	
67760BD	Case, A130 (Starter At 11:00) 12 Round Holes Bell To Motor	1	
67760BE	Case, A130 (Starter At 2:00) 13 Round Holes Bell To Motor	1	
67760C	Case, A140 (17 Round Holes Bell To Motor) 1983-8/1985	1	
67760CA	Case, A140 (18 Round Holes Bell To Motor) 9/1985-1986	1	
67760CB	Case, A140 (Closed Starter At 1:00) 17 Round Holes Bell To Motor 1987-Up	1	
67760CC	Case, A140 (Closed Starter At 1:00) 18 Round Holes Bell To Motor 1987-Up	1	
67760CD	Case, A140 (Open Starter At 1:00) 18 Round Holes Bell To Motor (11 Bolt Rear Cover) 1987-Up	1	
67760CE	Case, A140 (Open Starter At 1:00) 18 Round Holes Bell To Motor (12 Bolt Rear Cover) (Uses A Speed Sensor In Case) 1987-Up	1	
67760CF	Case, A140 (Open Starter At 1:00) 18 Round Holes Bell To Motor (12 Bolt Rear Cover) (No Speed Sensor In Case)	1	
67760D	Case, A240 (Without Cable Bracket) 18 Bolt Holes To Bell	1	
67760DA	Case, A240 (With 2 Bolt Cable Bracket) 18 Bolts To Bell	1	
67760DB	Case, A240 (With 2 Bolt Cable Bracket) 19 Bolts To Bell	1	
67760DC	Case, A240 (Without Cable Bracket) 18 Bolts To Bell (Has 3 Threaded Mount Bosses On The Side Facing Linkage) (Cast # 9110)	1	
67760DG	Case, A245E (17 Bolts To Bell) (Cast # 9130)	1	
67760DH	Case, A240 AWD (19 Bolts To Bell) (Cast # 9113)	1	
67765B	Pan, A130/A140 Bottom	1	
67765D	Pan, A240 Bottom	1	
67765DB	Pan, A245E Bottom	1	
67774CK	Housing, A130/A140 Speed-O With Driven Gear (Cable Type)	1	
S67775	Bolt, A130/A140 Converter (9x1.25mm) (Sonnax)	1	
67777BK	Bolt Set, A130/A140/A240 Pump To Case	1	
67778AK	Bolt Set, A130/A140/A240 Stator To Pump Body	1	
67779BK	Bolt Set, A130/A140 Pan To Case	1	
67780BK	Bolt Set, A130 Rear Cover To Case	1	
67780CK	Bolt Set, A140 Overdrive Cover To Case	1	
67782CK	Bolt Set, A140 Valve Body To Case	1	
67784CK	Bolt Set, A140 Overdrive Brake Assembly To Cover 1983-7/1986	1	
67784CAK	Bolt Set, A140 Overdrive Brake Assembly To Cover 1986-Up	1	
67785CK	Bolt Set, A140 Holds Differential Cover To Case	1	
67790DK	Bolt Set, A240 Countershaft Support To Case	1	
67793CK	Bolt Set, A140 Differential Retainer To Case (Rear)	1	
67795C	Nut, A140 Holds Counter Drive Gear To Overdrive Planet	1	90179-40002
67795D	Nut, A240 Holds Pinion To Countershaft	1	
67796B	Nut, A130/A140 Holds Driven Transfer Gear To Pinion	1	
67796D	Nut, A240 Holds Driven Gear To Countershaft	1	
67838B	Axle Flange, A130/A140 Short Shaft (6 Studs)	1	
67847BA	Gear, A130/A140 Drive Speed-O (Yellow) (25 Teeth)	1	33481-32010
67847BB	Gear, A130/A140 Drive Speed-O (Black) (27 Teeth)	1	33481-32020
67858B	Torsion Spring, A130 (For Governor Sleeve)	1	
67861C	Snap Ring, A140 Overdrive Brake Pressure Plate	1	
67861D	Snap Ring, A240 Holds Top Pressure Plate In Underdrive Drum	1	
67862D	Snap Ring, A240 Holds Retainer In Underdrive Drum	1	
67863C	Snap Ring, A140 Holds Overdrive Direct Pressure Plate In (.064")	1	
67864C	Snap Ring, A140 Overdrive Direct Drum (Top)	1	
67864D	Snap Ring, A240 Holds Top Pressure Plate Underdrive Drum	1	

TOYOTA

67865C Snap Ring, A140 Holds Retainer In Overdrive Direct Drum1	
67867C Snap Ring, A140 Holds Retaining Plate In Overdrive Planet1	
67867D Snap Ring, A240 Holds Underdrive Planet To Pinion1	
67868D Snap Ring, A240 Holds Ring Gear On Countershaft1	
67873B Snap Ring, A130/A140/A240 Holds 2nd Brake Pressure Plate2	
67876A Snap Ring, A130/A140/A240 Forward Drum (Top)1	
67877A Snap Ring, A130/A140/A240 Holds Forward Retainer In1	
67878A Snap Ring, A130/A140/A240 Direct Drum (Top) (5 5/16"OD)1	
67882A Snap Ring, A130/A140/A240 Front Planet Hub To Ring Gear1	
67883B Snap Ring, A130/A140 Holds 2nd Brake Drum In Case1	
67884A Snap Ring, A130/A140/A240 Sun Gear To Bowl (Rear) 1.760"OD1	
67886A Snap Ring, A130/A140/A240 Shell To Sun Gear (Front)1	
67888A Snap Ring, A130/A140/A240 Holds Sprag In Outer Race (5.110"OD)2	
67889A Snap Ring, A130/A140/A240 Holds Hub In Rear Ring Gear1	
67892A Snap Ring, A130/A140/A240 Holds Reverse Top Pressure Plate1	
67893A Snap Ring, A130/A140/A240 Holds Reverse Retainer In1	
67894C Snap Ring, A140 Holds Intermediate Shaft Bearing In Case1	
67895B Snap Ring, A130/A140 Holds Pinion Retainer In Case1	
67896B Snap Ring, A130/A140/A240 Holds Servo Cover In1	
67898C Snap Ring, A140 Holds Overdrive Ring Gear In Drive Gear1	
67905B Servo Assembly, A130/A140/A2401	
67906B Spring, A130/A140/A240 Servo1	
67907B Piston, A130/A140/A240 Servo1	
67909B Cover, A130/A140/A240 Servo1	
67925B Accumulator Assembly, A1301	
67925C Accumulator Assembly, A1401	
67925D Accumulator Assembly, A2401	
67950D Accumulator Assembly, A240 B-4 With Oil Gallery Cover1	
67956B Housing, A130/A140/A240 2nd Brake Piston1	
67960C Piston, A140 Overdrive Clutch 1983-Up1	34602-32010
67961C Piston, A140 Overdrive Direct Clutch 1983-7/19861	
67961CA Piston, A140 Overdrive Direct Clutch (.860" Thick) 8/1986-Up1	
67961CB Piston, A140 Overdrive Direct Clutch (.780" Thick) 8/1986-Up1	
67962B Piston, A130/A140/A240 2nd Brake1	
67964A Piston, A130/A140/A240 Forward Clutch1	
67965B Piston, A130/A140/A240 Direct Clutch (2.250"ID) (.385" Thick)1	
67965C Piston, A140 Direct Clutch (2.250"ID) (.471" Thick)1	
67965CA Piston, A140 Direct Clutch (For 3 Clutch Drum)1	
67966A Piston, A130/A140/A240 Reverse Clutch1	
67970C Spring, A140 Overdrive Brake Clutch Return (Also Fits A130/A140/A240 Direct Clutch Return)18-36	90501-11023
67970D Spring, A240 Underdrive Brake Clutch Return1	
67971C Spring, A140 Overdrive Direct Clutch Return1	
67971D Spring, A240 Underdrive Clutch Return1	34360-12010
67972B Retainer W/Spring, A130/A140/A240 2nd Brake1	
67974A Spring, A130/A140/A240 Forward Clutch Return1	
67975A Spring, A130/A140/A240 Direct Clutch Return 1983-Up (Use 67970C)18	
67976A Retainer W/Spring, A130/A140/A240 Reverse Clutch Return1	
67980C Retainer, A140 Overdrive Clutch Return Spring1	34613-30010
67984A Retainer, A130/A140/A240 Forward Clutch Spring1	
67991B Linkage Assembly, A130 (Internal)1	
67991C Linkage Assembly, A140 (Internal)1	
67991D Linkage Assembly, A240 (Internal)1	
67991S Sleeve, A130/A140 Holds Pin On Linkage Shaft1	
67992C Shift Lever, A140 (External)1	
67995B Park Pawl Assembly, A1301	
67995C Park Pawl Assembly, A1401	
67996B Cooler Line Fitting, A130/A140 (Straight)1	
67996BA Cooler Line Fitting, A130/A140 (90 Degree Elbow)1	
67996BB Cooler Line Fitting, A130/A140 (55 Degree Elbow)1	
67999B Tube Assembly, A130 For Valve Body1	
67999C Tube Assembly, A140 For Valve Body1	