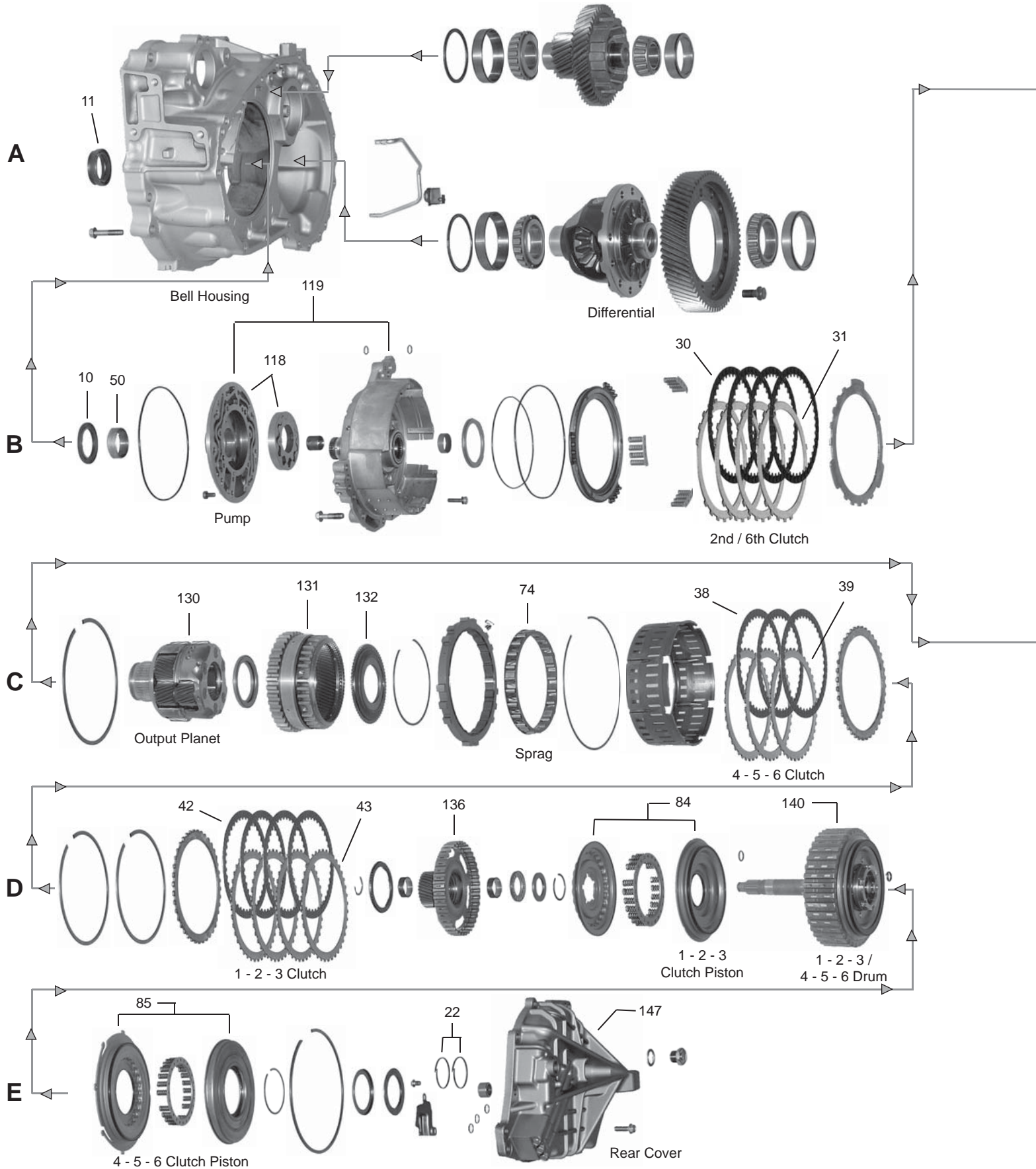
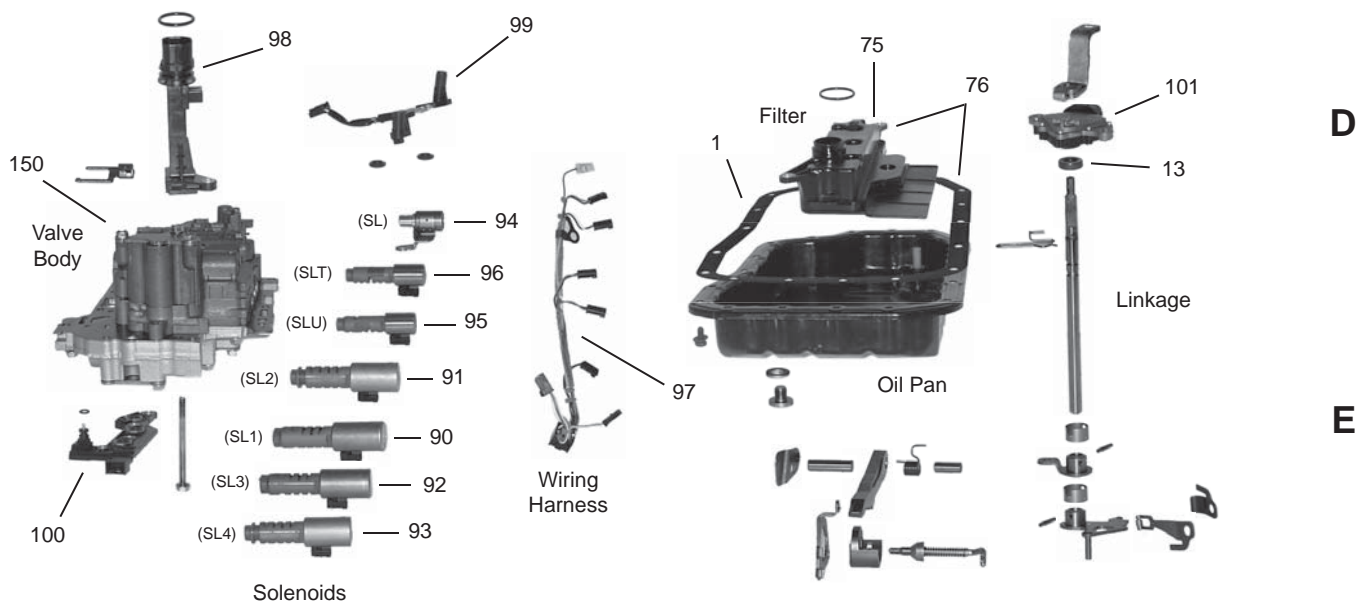
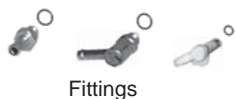
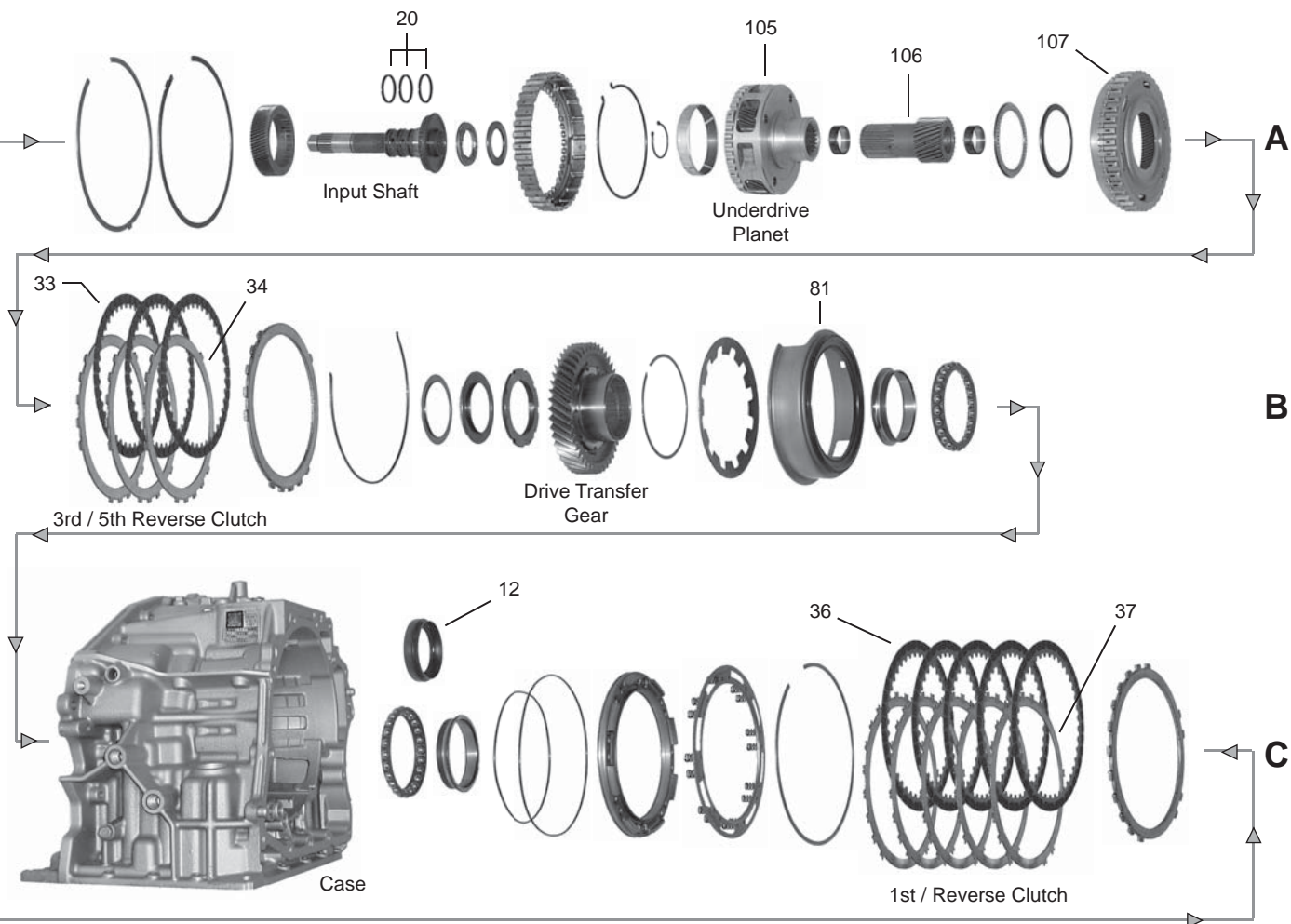


Toyota U660E

FWD 6 Speed





Toyota U660E/F & U760E/F Series (FWD 6-Speed)

VEHICLE MODEL	YEARS	ENGINE	DRIVE TRAIN	TRANS. TYPE
Lexus ES350	2007-112	3.5 Litre	FWD	U660E
Lexus RX350	2010-12	3.5 Litre	FWD/AWD	U660E/F
Lexus RX	2010-12	2.7 Litre	FWD/AWD	U760E/F
Toyota Avalon	2008-10	3.5 Litre	FWD	U660E
Toyota Camry	2007-12	3.5 Litre	FWD	U660E
Toyota Highlander	2009-12	3.5 Litre	FWD/AWD	U660E/F
Toyota Highlander	2010-12	2.7 Litre	FWD/AWD	U760E/F
Toyota RAV4	2009-12	2.0, 2.2 & 3.5 Litre	FWD	U660E
Toyota Scion tc	2012	2.5 Litre	FWD/AWD	U760E/F
Toyota Sienna	2011-12	3.5 Litre	FWD/AWD	U660E/F
Toyota Sienna	2011-12	2.7 Litre	FWD/AWD	U760E/F
Toyota Venza	2009-11	3.5 Litre	FWD	U660E
Toyota Venza	2010-12	2.7 Litre	FWD	U760E

IIL. NO.	PART NUMBER	PER CAR	DESCRIPTION	YEARS
REBUILDER BOX KITS				
---	K1600-S ¹	1	Master Kit (w/o Steels).....	U660 2007-On
---	K1600E-S ¹	1	Master Kit (w/o Steels).....	U760 2008-On
Steel Plate Sub-Kits:				
---	K1600-9	1	Steel Plate Kit	U660 2007-On
---	K1600E-9	1	Steel Plate Kit	U760 2008-On
¹ Kits do not include the molded rubber pistons, please order K16900-4 (U660) or K16900E-4 (U760) separately.				
OVERHAUL KITS				
---	K16900 ¹	1	Overhaul Kit	U660 2007-On
---	K16900E ¹	1	Overhaul Kit	U760 2008-On
GASKET AND RUBBER COMPONENTS				
1D	16170	1	Pan Gasket	U660 2007-On
1D	16170E	1	Pan Gasket	U760 2008-On
METAL CLAD SEALS				
10B	16526	1	Front Pump (Viton)	All 2007-On
11A	83551	1	Right Axle	All 2007-On
12C	14551B	1	Left Axle	All 2007-On
13D	68504	1	Manual Lever Shaft	All 2007-On
SEALING RINGS				
---	K16901	1	Sealing Ring Kit	All 2007-On
20A	16200T	3	Input Clutch (Teflon)	All 2007-On
22E	14203P	2	Direct Clutch (PEEK)	All 2007-On
---	16202P	1	Intermediate Clutch (PEEK)	All 2007-On
CLUTCH PLATES (U660)				
30B	16308	4	2nd/6th Brake (B1) Friction	40T, .073" - 6.982" O.D. 2007-On
31B	16309	4	2nd/6th Brake (B1) Steel	11T, .073" - 6.045" I.D. 2007-On
33B	16308	3	3rd/5th/Reverse (B3) Friction	40T, .073" - 6.982" O.D. 2007-On
34B	16309A	2	3rd/5th/Reverse (B3) Steel	11T, .087" - 6.045" I.D. 2007-On
36C	16321	5	1st/Reverse (B2) Friction	40T, .060" - 7.242" O.D. 2007-On
37C	16322	5	1st/Reverse (B2) Steel	16T, .063" - 6.430" I.D. 2007-On
38C	16304	4	4th/5th/6th (C2) Friction	40T, .071" - 6.552" O.D. 2007-On
39C	16305A	4	4th/5th/6th (C2) Steel	40T, .085" - 5.674" I.D. 2007-On
42D	16304	4	1st/2nd/3rd (C1) Friction	40T, .071" - 6.552" O.D. 2007-On
43D	16305	4	1st/2nd/3rd (C1) Steel	40T, .071" - 5.674" I.D. 2007-On

Toyota U660E/F & U760E/F Series (FWD 6-Speed)

Toyota U660 / 760E

ILL. NO.	PART NUMBER	PER CAR	DESCRIPTION	YEARS
BUSHINGS (U660)				
---	K16980	1	Bushing Assortment Kit	2007-On
---	16005	1	Pump Bushing	2007-On
SPRAGS (U660)				
74C	16814	1	Sprag	2007-On
TRANSMISSION OIL FILTERS				
75D	16600 ²	1	Oil Filter U660	2007-On
75D	16600E	1	Oil Filter U760	2008-On
76D	ATK-270	1	Oil Filter Kit..... U660	2007-On
² Please See Filter Pictures on Page 13.11-1 for Visual Identification.				
MOLDED RUBBER PISTONS (U660)				
---	K16900-4	1	Molded Rubber Piston Kit..... U660	2007-On
---	K16900E-4	1	Molded Rubber Piston Kit..... U760	2008-On
81B	16843	1	3rd/5th/Rev Piston (Molded Rubber)	2007-On
84D	K16841	1	1st/2nd/3rd Piston and Retainer Kit (Molded Rubber)	2007-On
85E	K16844	1	4th/5th/6th Piston and Retainer Kit (Molded Rubber)	2007-On
ELECTRONIC COMPONENTS (U660)				
Note : When ordering a Solenoid, please add the (-R) suffix for a Remanufactured Unit, if Desired.				
90E	16871	1	Shift Solenoid (SL1) Brown Connector - Large Body	2007-On
91E	16872	1	Shift Solenoid (SL2) Black Connector - Large Body	2007-On
92E	16871	1	Shift Solenoid (SL3) Brown Connector - Large Body	2007-On
93E	16872	1	Shift Solenoid (SL4) Black Connector - Large Body	2007-On
94E	16870	1	TCC Solenoid (SL) Blue Connector w/Bracket	2007-On
95E	16874	1	TCC Pressure Solenoid (SLU) Small Body	2007-On
96E	16879	1	Line Pressure Solenoid (SLT) Small Body	2007-On
97E	16869	1	Internal Wiring Harness	2007-On
98D	16878	1	Case Connector to Wiring Harness Adapter	2007-On
99D	K16875	1	Input & Output Speed Sensor Assembly	2007-On
100E	16878T	1	Pressure Switch Manifold w/TOT	2007-On
101D	16877	1	Inhibitor Switch	2007-On
HARD PARTS & MISCELLANEOUS (U660)				
Note : When ordering Hard Parts, please add the appropriate suffix : (-R) Reman, (-U) Used, (-A) Aftermarket.				
---	K16944	1	Shift Kit (TransGo)	2007-On
Addresses: No Reverse HOT, 2-3 Cutloose, Shuttle Shifting, Slips with Throttle in 3rd and 4th, TCC Codes, No TCC and Rough TCC.				
105A	16834	1	Underdrive Planetary.....	2007-On
106A	16865	1	Underdrive Sun Gear	2007-On
107A	16864	1	Underdrive Ring Gear	2007-On
118B	16895	1	Pump Body and Gears	2007-On
119B	K16895	1	Pump Assembly	2007-On
130C	16833	1	Output Planetary	2007-On
131C	16859	1	Output Ring Gear	2007-On
132C	16858	1	Output Ring Gear Hub.....	2007-On
136D	16860	1	Output Sun Gear and Hub.....	2007-On
140D	16801	1	1st/2nd/3rd Drum	2007-On
147E	16825	1	Rear Cover	2007-On
150E	70-120A	1	Reman Valve Body.....	2007-On