

# MAZDA F4A-EL FWD

# F4E-III

# FORD F4EAT 4 SPEED



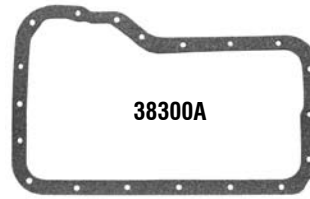
38010A



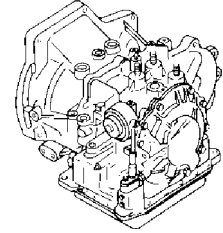
38010AB

**MAZDA — F4A-EL**  
 323 90-Up  
 Protege 90-98  
 MK3 92-95  
 Kia Sephia 97-98

**FORD — F4EAT**  
 Ford Escort 91-Up  
 Mercury Tracer 91-Up



38300A



ILL.	DESCRIPTION	QTY.	YEAR	PART NO.	REFERENCE NO.
<b>MASTER OVERHAUL KITS (WITH STEELS)</b>					
006A	F4A-EL, 4EAT-F, ECAT (Also Kia 00-Up).....	1	90-Up	38006AF	K8400
<b>LESS STEEL KITS</b>					
004A	F4A-EL, 4EAT-F, ECAT (Also Kia 00-Up).....	1	90-Up	38004AF	K8400-LS
<b>OVERHAUL KITS (W/ RINGS &amp; SEALS)</b>					
002A	F4A-EL, 4EAT-F, ECAT (Also Kia 00-Up).....	1	90-Up	38002AF	K84900
<b>FILTER KITS</b>					
011D	Shallow Pan (w/o Tube) .....	1	90-Up	38011A	FK84800
<b>FILTERS</b>					
010D	Shallow Pan (w/o Tube) .....	1	90-Up	38010A	84800
010D	Deep Pan (w/ Tube).....	1	93-Up	38010AB	84800B
010D	Screen, Valve Body (Round).....	9	90-Up	28015	74711
010D	Screen, Valve Body (Thimble).....	2	90-Up	38015	84711
<b>BANDS</b>					
<b>Prefix Key: B = Borg Warner, A = OEM (Exc. BW), N = All Other New, R = Relined</b>					
026F	2-4 Band.....	1	90-Up	38026A	84700
<b>BUSHINGS</b>					
030A	Bushing Kit, F4A-EL (Steel Backed) .....	1	90-Up	38030	K84901B
031A	Converter Hub (57.1mm, 2.248" OD).....	1	90-Up	28031A	74001A
<b>METAL CLAD SEALS</b>					
070A	Converter.....	1	90-Up	28070	74200
076A	Axle (Both Sides) .....	2	90-Up	42076A	65201
089	Retainer, Converter Seal .....	1	90-Up	38089A	84991
<b>FRICTION PLATES</b>					
100E	3-4 Clutch .062" (22 T).....	4	90-Up	38100A	84100
108C	Forward .062" (42 T) .....	3	90-Up	38108A	84104
110G	Reverse .062" (45 T) .....	2	90-Up	38110A	84108
112C	Coast .062" (16 T).....	2	90-Up	38112A	84106
114B	Low/ Reverse .062" (48 T).....	4	90-Up	38114A	84102
<b>STEEL PLATES</b>					
120E	3-4 Clutch .063" (38 T).....	AR	90-Up	38120A	N/A
120E	3-4 Clutch .071" (38 T).....	4	90-96	38120AA	84101
120E	3-4 Clutch .091" (38 T).....	4	90-97	38120AB	84101A
120E	3-4 Clutch .130" (38 T).....	3	98-Up	38120C	84101B
128C	Forward .063" (31 T) .....	3	90-Up	38128A	84105
130G	Reverse .063" (32 T) .....	2	90-Up	38130A	84109
132C	Coast .063" (26 T).....	2	90-Up	38132A	84107
134B	Low/ Reverse .063" (16 T).....	4	90-Up	38134A	84103

ILL.	DESCRIPTION	QTY.	YEAR	PART NO.	REFERENCE NO.
<b>PRESSURE PLATES</b>					
<b>Prefix Key: D = OEM, A = Aftermarket New, R = Remanufactured</b>					
140E	3-4 Clutch .140" (38 T).....	1	90-Up	38140A	N/A
148C	Forward .....	1	90-Up	38148A	N/A
150G	Reverse .....	1	90-Up	38150A	N/A
152C	Coast.....	1	90-Up	38152A	N/A
154B	Low/ Reverse.....	1	90-Up	38154A	N/A
<b>VALVE BODY RECALIBRATION KITS</b>					
165A	Shift Kit®, F4A-EL, 4EAT-F (Transgo®) .....	1	90-Up	T38165A	K84908
165A	Valve Body & Pump Upgrade Kit, F4A-EL, 4EAT-F (TransLab).....	1	90-Up	A38165A	84D01
<b>SEALING RINGS</b>					
175A	Ring Kit (Teflon) (Complete) .....	1	90-Up	38175AT	K84903T
175A	Ring Kit (Metal) (Short - Includes 6 Rings) .....	1	90-Up	38175B	N/A
179G	Pump Stator (Metal) .....	4	90-Up	38179A	84302
180A	Output Gear (Metal).....	2	90-Up	38180A	84303
<b>GASKETS &amp; O-RINGS</b>					
300D	Gasket, Pan (Cork) (Fiber = 38300AF).....	1	90-Up	38300A	13945F
310G	Gasket, Front Pump.....	1	90-Up	38310A	13946
320	Gasket Set, Valve Body Service Kit (4 Solenoid Type).....	1	90-96	38320AK	K84900-4
320	Gasket Set, Valve Body Service Kit (5 Solenoid Type Exc Kia) .....	1	97-Up	38320BK	K84900A-4
320	Gasket Set, Valve Body Service Kit (5 Solenoid Type Kia) .....	1	99-Up	38320CK	K84900B-4
379D	O-Ring, Filter.....	1	90-Up	38379A	13948
390	External Seal Kit.....	1	90-Up	38390	SK84900-2
<b>TECHNICAL MANUALS</b>					
400A	Tech Manual .....	1	90-Up	38400	84Y01
400A	Tech Manual, Rebuild Procedures .....	1	90-Up	28400C	N/A
<b>ELECTRICAL COMPONENTS</b>					
420D	Solenoid Set (Exc. 96-Up EPC).....	1	90-Up	38420A	31A-136
421	Solenoid, 1-2 Shift.....	1	90-Up	38421A	5A-236B
422	Solenoid, 2-3 & 3-4 Shift (2 Solenoids Wired Together) .....	1	90-Up	38422A	5A-236
425	Solenoid TCC .....	1	90-Up	38425A	5A-236D
431	Solenoid, EPC (Exc. 99-Up KIA) .....	1	96-Up	38431	5A-236E
431	Solenoid, EPC (99-Up KIA).....	1	99-Up	38431A	5A-236F
445	Repair Kit, External Wire Harness (6 Prong) .....	1	90-96	38445EK	N/A
445	Repair Kit, External Wire Harness (6 Plug-ins, Fits 6 Prong Connector).....	1	90-96	38445EAK	N/A
<b>HARD PARTS</b>					
<b>Prefix Key: D = OEM, A = Aftermarket New, R = Remanufactured</b>					
<b>PUMPS</b>					
500G	Pump Complete .....	1	90-Up	38500A	84920
529A	Converter Reactor (31 Spline) .....	1	90-Up	38529A	84969
507A	Valve Kit w/ Spring (Fixes Low Pressure) (Sonnax) .....	1	90-Up	S38507PK	K84964
507A	Valve Kit, Pump Bypass. Self Cleaning Valve Prevents Low Pressure Failure .....	1	90-Up	A38507PK	K84908V
<b>DRUMS &amp; CLUTCH HUBS</b>					
550A	3-4 Clutch (.071" Steels).....	1	90-Up	38550	84927
550A	3-4 Clutch (.091" Steels).....	1	90-Up	38550A	84927A
550A	3-4 Clutch (.130" Steels) (Smooth or Ribbed Design) .....	1	90-Up	38550B	84927B
556G	Reverse & Forward Clutch.....	1	90-Up	38556A	84925

ILL.	DESCRIPTION	QTY.	YEAR	PART NO.	REFERENCE NO.
<b>DRUMS &amp; CLUTCH HUBS (Cont.)</b>					
558F	Band Drum w/ Sun Gear.....	1	90-Up	38558A	84951
559C	Coast Clutch.....	1	90-Up	38559A	84932
560E	Piston Kit, 3-4 Clutch.....	1	90-Up	38560A	N/A
566G	Piston Kit, Reverse Clutch.....	1	90-Up	38566A	N/A
567E	Piston Kit, Low/ Reverse Clutch.....	1	90-Up	38567A	N/A
569C	Piston Kit, Coast Clutch.....	1	90-Up	38569A	N/A
853	Drum Saver Kit (Forward).....	1	90-Up	38853BK	N/A
577B	Clutch Hub & Inner Race, Low/ Reverse Clutch (34 T Hub).....	1	90-Up	38577A	84961
579F	Clutch Hub, Coast Clutch (w/ Inner Race).....	1	90-Up	38579A	N/A
<b>PLANETS</b>					
584B	Planet (34 T on Flange).....	1	90-Up	38584A	84950
594E	Ring Gear, Planet (10 Lugs, 5 1/8" OD).....	1	90-Up	38594A	N/A
<b>SUN GEARS, SHELLS &amp; SUPPORTS</b>					
614F	Sun Gear (2 13/16" Long).....	1	90-Up	38614A	N/A
626A	Shell, Output w/ Park Gear (10 Lug Gear).....	1	90-Up	38626A	84928
<b>SPRAGS</b>					
642F	Roller, Low Clutch.....	1	90-Up	38642A	84960
642F	Sprag, Low Clutch.....	1	97-Up	38642AA	84960S
648	Sprag Assembly, Forward w/ Inner & Outer Races.....	1	90-Up	38648A	N/A
658F	Sprag, Input Clutch.....	1	90-Up	38658A	84940
<b>SHAFTS</b>					
671A	Pump Shaft, Drive (13 9/16" Long).....	1	90-Up	38671A	84921
673A	Turbine Shaft (11 3/8" Long).....	1	90-Up	38673A	84919
<b>DIFFERENTIALS</b>					
715A	Differential Assembly (69 T Ring, 41 T Idler, 17 T Drive).....	1	90-Up	38715CK	K84979B
715A	Differential Assembly (69 T Ring, 41 T Idler, 18 T Drive).....	1	90-Up	38715CAK	K84979C
715A	Differential Assembly (71 T Ring, 38 T Idler, 21 T Drive).....	1	90-Up	38715AK	K84979D
715A	Differential Assembly (71 T Ring, 39 T Idler, 20 T Drive).....	1	90-Up	38715AAK	K84979A
715A	Differential Assembly (71 T Ring, 40 T Idler, 19 T Drive).....	1	90-Up	38715K	K84979
<b>VALVE BODIES</b>					
740D	Valve Body (Premium) (4 Solenoids).....	1	90-97	38740-1	P84990
740D	Valve Body (Premium) (5 Solenoids w/ Tube) (Exc. Kia).....	1	97-Up	38740-2	P84990B
740D	Valve Body (Premium) (5 Solenoids w/o Tube) (Exc. Kia).....	1	97-Up	38740-4	P84990C
740D	Valve Body (Premium) (5 Solenoids) (Kia).....	1	98-Up	38740-3	P84990K
741A	Boost Valve Kit (Low Line Rise).....	1	90-Up	28741TAK	K74965B
741A	Valve, Pressure Modifier (Oversized) (requires T-76846-TL7).....	1	98-Up	38741L-1	84884
741A	Valve, Pressure Regulator (Oversized) (requires T-76846-TL6).....	1	98-Up	38741P-1	84882
<b>MISCELLANEOUS COMPONENTS</b>					
847A	Gear, Drive Speed-O (For Mazda Differential).....	1	90-Up	38847A	N/A
853	Drum Saver Kit (Forward).....	1	90-Up	38853BK	N/A
900D	Servo Assembly, 2-4 Band.....	1	90-Up	38900A	N/A
976G	Spring, Reverse Beveled Return.....	1	90-Up	38976A	84958
Tool	Drum Tool, 3-4 Drum Test Tool Kits.....	1	90-Up	T-74828-TL	N/A
Tool	Tool, Pump Drive Tool.....	1	90-Up	T-71151-K	N/A
Tool	Reamer for 38741P-1.....	1	98-Up	T-76846-TL6	T-9115
Tool	Reamer for 38741L-1.....	1	98-Up	T-76846-TL7	T-9116



# DRIVEN TO BE THE BEST IN...



## TORQUE CONVERTERS



TRANSTAR INDUSTRIES, INC. • 7350 YOUNG DRIVE • CLEVELAND, OHIO 44146 • WWW.TRANSTAR1.COM



WHEN IT COMES TO TORQUE CONVERTERS, NO ONE IS MORE COMMITTED TO EXCELLENCE THAN TRANSTAR. WE REMANUFACTURE MORE TORQUE CONVERTERS THAN ANYONE ELSE IN THE INDUSTRY, WITH THE HIGHEST QUALITY MANAGEMENT SYSTEMS, PROPRIETARY PROCESSES AND STATE-OF-THE-ART EQUIPMENT. WITH TRANSTAR'S ENHANCED DELIVERY SYSTEM, YOU CAN DEPEND ON "JUST IN TIME" DELIVERY FOR YOUR TORQUE CONVERTERS AS WELL AS ALL YOUR TRANSMISSION REPAIR NEEDS. DRIVEN TO BE THE BEST FOR YOU.

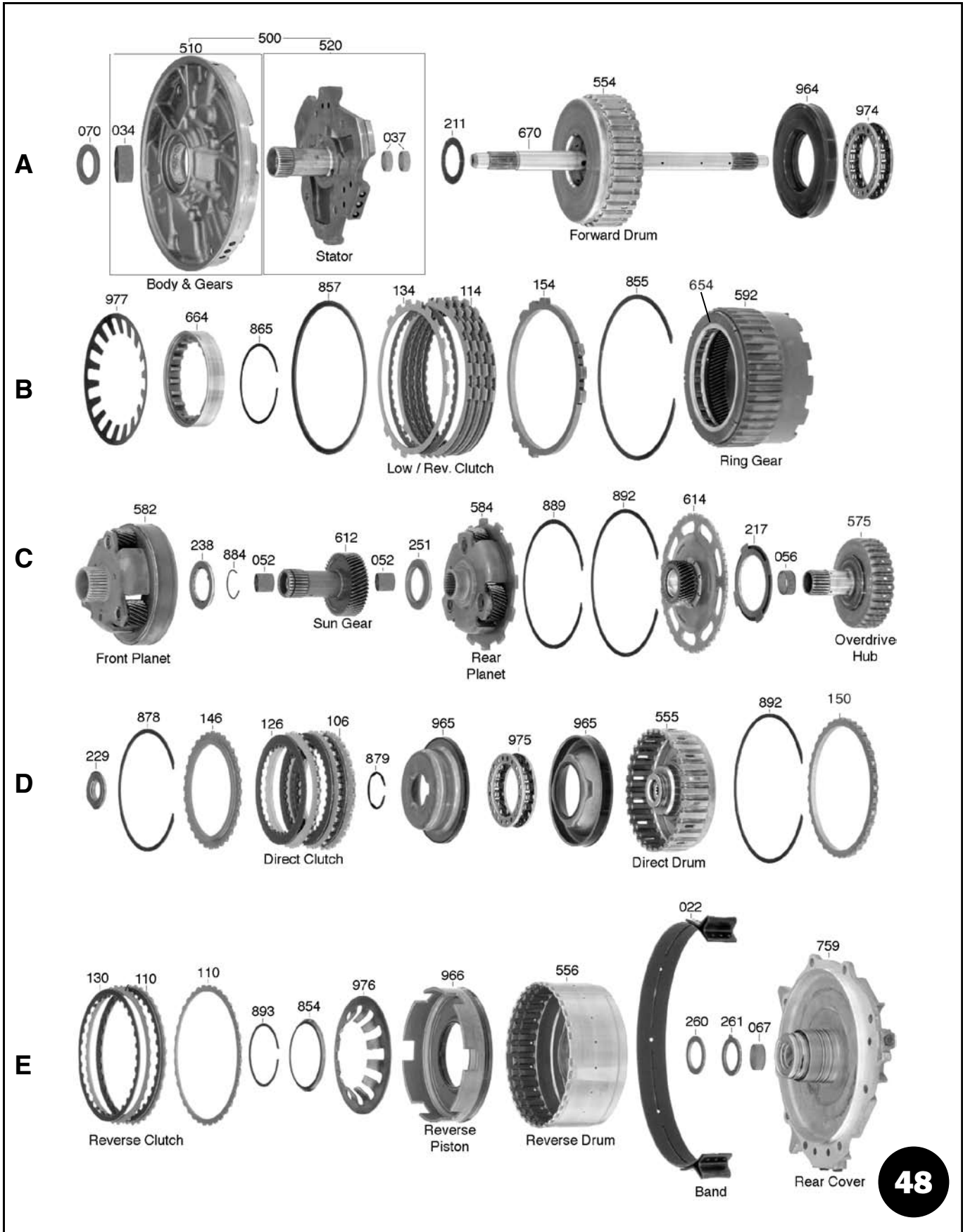
800.359.3339 | [www.transtar1.com](http://www.transtar1.com)



\*Recon by Transtar Torque Converter Limited Warranty

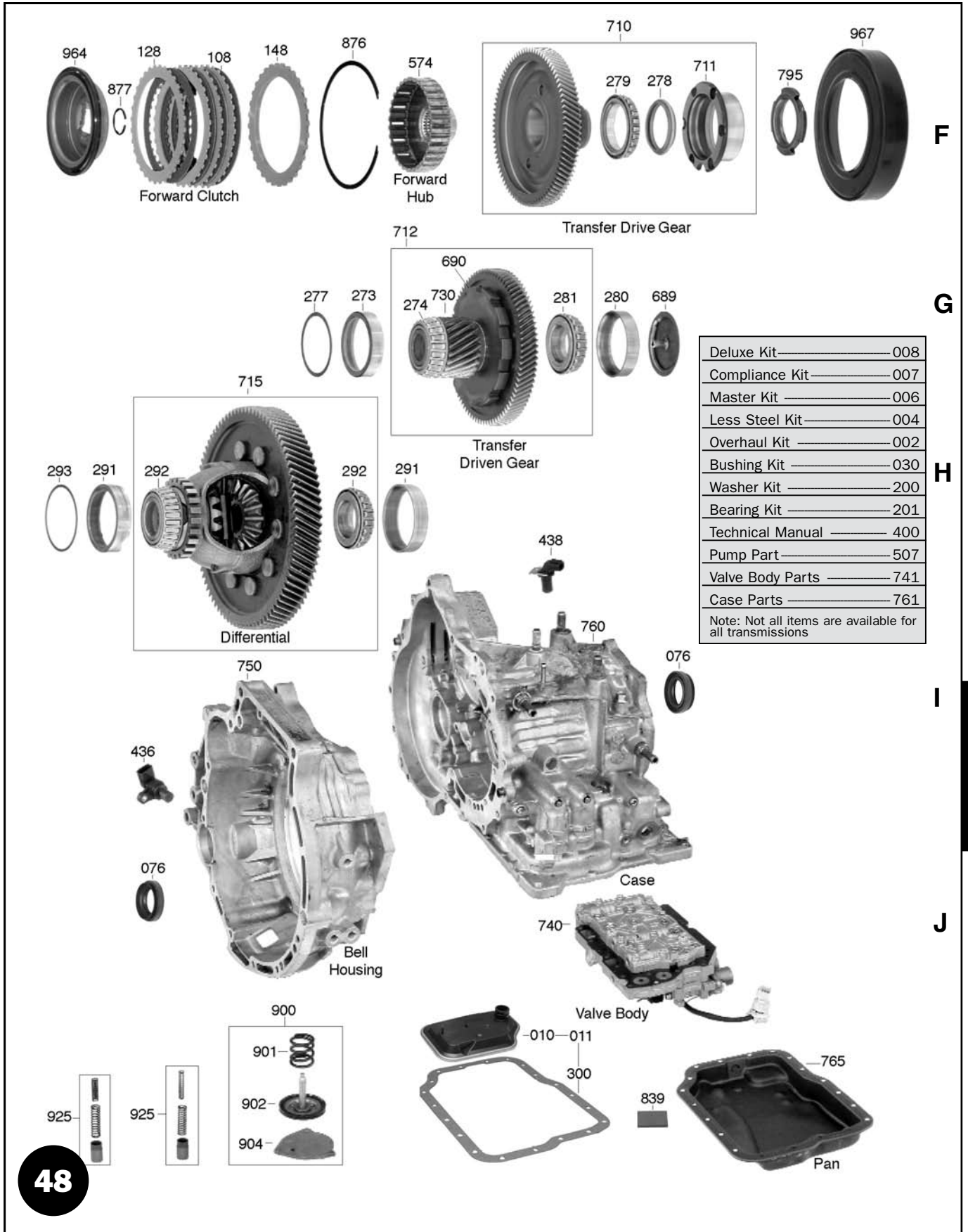
**MAZDA FN4A-EL 4 SPEED  
FORD 4F27E 4 SPEED**

**FNR5  
5 SPEED**



# FNR5 5 SPEED

# MAZDA FN4A-EL 4 SPEED FORD 4F27E 4 SPEED





# MAZDA FN4A-EL 4 SPEED FORD 4F27E 4 SPEED



# FNR5 5 SPEED

ILL.	DESCRIPTION	QTY.	YEAR	PART NO.	REFERENCE NO.
<b>MASTER OVERHAUL KITS (WITH STEELS)</b>					
006H	Ford (4F27E) (w/ Pistons) .....	1	00-Up	48006B	K8800A
006H	Mazda 3, Protege (FN4A-EL) (w/ Pistons) .....	1	99-Up	48006A	K8800
006H	Mazda 6 (FN4A-EL) (w/ Pistons) .....	1	03-05	48006C	N/A
006H	Ford Fusion, Mazda 6 (FNR5) (5 Speed) (w/ Pistons).....	1	06-Up	48006E	N/A
<b>LESS STEEL KITS</b>					
004H	Ford (4F27E) (w/ Pistons) .....	1	00-Up	48004B	K8800A-LS
004H	Mazda 3, Protege (FN4A-EL) (w/ Pistons) .....	1	99-Up	48004A	K8800-LS
004H	Mazda 6 (FN4A-EL) (w/ Pistons) .....	1	03-05	48004C	N/A
004H	Ford Fusion, Mazda 6 (FNR5) (5 Speed) (w/ Pistons).....	1	06-Up	48004E	N/A
<b>OVERHAUL KITS (W/ RINGS &amp; SEALS)</b>					
002H	Ford (4F27E) (w/ Pistons) .....	1	00-Up	48002B	N/A
002H	Ford (4F27E) (w/o Pistons) .....	1	00-Up	48002BA	K88900A
002H	Mazda 3, 6, Protege (FN4A-EL) (w/ Pistons) .....	1	99-Up	48002A	N/A
002H	Mazda 3, 6, Protege (FN4A-EL) (w/o Pistons).....	1	99-Up	48002AA	K88900
002H	Ford Fusion, Mazda 6 (FNR5) (5 Speed) (w/ Pistons).....	1	06-Up	48002E	N/A
<b>FILTER KITS</b>					
011J	FN4A-EL, 4F27E .....	1	99-Up	48011AF	FK88800
<b>FILTERS</b>					
010J	FN4A-EL, 4F27E .....	1	99-Up	48010A	88800
010J	FNR5 .....	1	06-Up	48010E	N/A
<b>BANDS</b>					
<b>Prefix Key: B = Borg Warner, A = OEM (Exc. BW), N = All Other New, R = Relined</b>					
022E	Intermediate (Overdrive).....	1	99-Up	48022A	88700
<b>BUSHINGS</b>					
030H	Bushing Kit .....	1	99-Up	48030A	K88905
034A	Pump Body .....	1	99-Up	48034	88001B
037A	Pump Cover .....	2	99-Up	48037	88003
<b>METAL CLAD SEALS</b>					
070A	Front Pump .....	1	99-Up	48070	88200
076I	Axle (Ford) .....	2	00-Up	48076	88201A
076I	Axle (Mazda).....	2	99-Up	42076A	88201
<b>FRICTION PLATES</b>					
106D	Direct (Double Sided) .....	3-4	99-Up	48108A	88100
106D	Direct (Single Sided Internal Teeth) .....	3	03-05	48106	N/A
126D	Direct (Single Sided External Teeth) .....	3	03-05	48126	N/A
108F	Forward .....	3-4	99-Up	48108A	88100
110E	Reverse .....	2	99-Up	48110A	88106
114B	Low & Reverse .....	5	99-Up	48114A	88104
<b>STEEL PLATES</b>					
126D	Direct (.063") .....	3	99-Up	48128A	88101
126D	Direct (.136") .....	3	99-Up	48126A	88103
128F	Forward .....	4	99-Up	48128A	88101
130E	Reverse .....	2	99-Up	48130A	88107
134B	Low & Reverse .....	5	99-Up	48134A	88105

# FNR5 5 SPEED

# MAZDA FN4A-EL 4 SPEED FORD 4F27E 4 SPEED

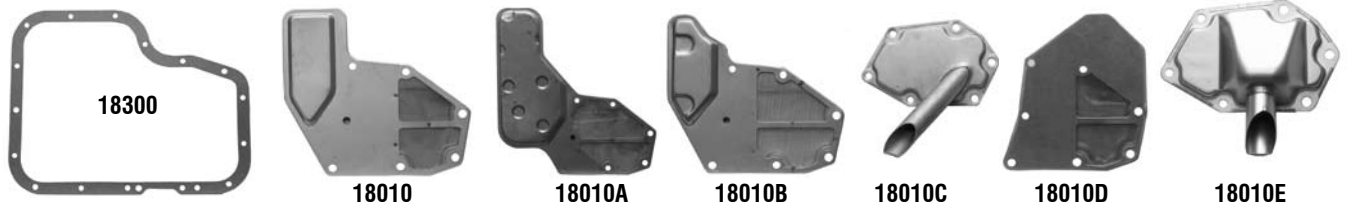
ILL.	DESCRIPTION	QTY.	YEAR	PART NO.	REFERENCE NO.
<b>PRESSURE PLATES</b>					
<b>Prefix Key: D = OEM, A = Aftermarket New, R = Remanufactured</b>					
146D	Direct (aka Overdrive, 3-4) (.154" Stepped to .120") (Also Forward) .....	1	99-Up	48148A	N/A
150D	Reverse .....	1	99-Up	48150A	N/A
154B	Low & Reverse (9 T, .240" Thick) .....	1	99-Up	48154A	N/A
<b>SEALING RINGS</b>					
175H	Ring Kit.....	1	99-Up	48175A	N/A
<b>THRUST WASHERS</b>					
211A	Washer, Front Pump .....	1	99-Up	48211	88209
<b>BEARINGS</b>					
201H	Bearing Kit .....	1	99-Up	48201	K88906
<b>GASKETS &amp; O-RINGS</b>					
300J	Gasket, Pan (Fiber) (Exc FNR5) .....	1	99-Up	48300F	13541X
311	O-Ring, Pump to Case (Mazda).....	1	99-Up	97311	13542
311	O-Ring, Pump to Case (Ford) .....	1	99-Up	48311A	13543
320	Gasket, Valve Body (Ford) .....	1	99-Up	48320A	13544
328	Gasket, Solenoid Body (w/ Screen) .....	1	99-Up	48016	13545
328	Gasket, Solenoid Body (w/o Screen) .....	1	99-Up	48328	13546
<b>TECHNICAL MANUALS</b>					
400H	Technical Manual, Ford.....	1	99-Up	48400	88Y01
400H	Technical Manual, Ford (Spanish) .....	1	99-Up	48400S	88Y01S
400H	Technical Manual (ATRA Rebuild Procedures).....	1	99-Up	48400A	N/A
400H	Technical Manual (ATRA Diagnostic Procedures) .....	1	99-Up	48400B	N/A
<b>ELECTRICAL COMPONENTS</b>					
410	Switch, Transmission Range (Neutral Safety).....	1	99-Up	48410	15A-279
421	Solenoid, C, D, E (Shift Control PWM) .....	3	99-Up	48421	5A-281
421	Solenoid, A, B (Shift Control On/Off) .....	2	99-Up	48421A	5A-280
431	Solenoid, Electronic Pressure Control (EPC) (Also Fits FNR5) .....	1	99-Up	48431	5A-279
436I	Sensor, Output Vehicle Speed Sensor (VSS) .....	1	99-Up	48436	20A-280
437	Sensor, TOT/TFT (Transmission Oil Temp) .....	1	99-Up	86437	20A-104
438H	Sensor, Input Turbine Speed Sensor (TSS).....	1	99-Up	48438	20A-279
446	Harness, Wiring (Internal).....	1	99-Up	48446	25A-279
<b>HARD PARTS</b>					
<b>Prefix Key: D = OEM, A = Aftermarket New, R = Remanufactured</b>					
<b>PUMPS</b>					
500A	Pump, Ford .....	1	99-Up	48500	88920
500A	Pump, Mazda.....	1	99-Up	48500A	88920A
<b>DRUMS &amp; CLUTCH HUBS</b>					
554A	Drum, Forward / Turbine Shaft 4 Clutch .....	1	99-Up	48554	88964A
555D	Drum, Direct 3 Clutch (aka 3-4, Overdrive) .....	1	99-Up	48555	88965
556E	Drum, Reverse .....	1	99-Up	48556	88961
564	Piston Assembly, Forward .....	1	99-Up	48564K	N/A
565	Piston Assembly, Direct.....	1	99-Up	48565K	N/A
566	Piston Assembly, Reverse (1.460" Tall) (Ford) .....	1	99-Up	48566K	N/A
566	Piston Assembly, Reverse (1.370" Tall) (Mazda) .....	1	99-Up	48566AK	N/A
574F	Clutch Hub, Forward .....	1	99-Up	48574	88966
575C	Clutch Hub, Direct.....	1	99-Up	48575	88963

FN4A-EL, 4F27E

# MAZDA FN4A-EL 4 SPEED FORD 4F27E 4 SPEED

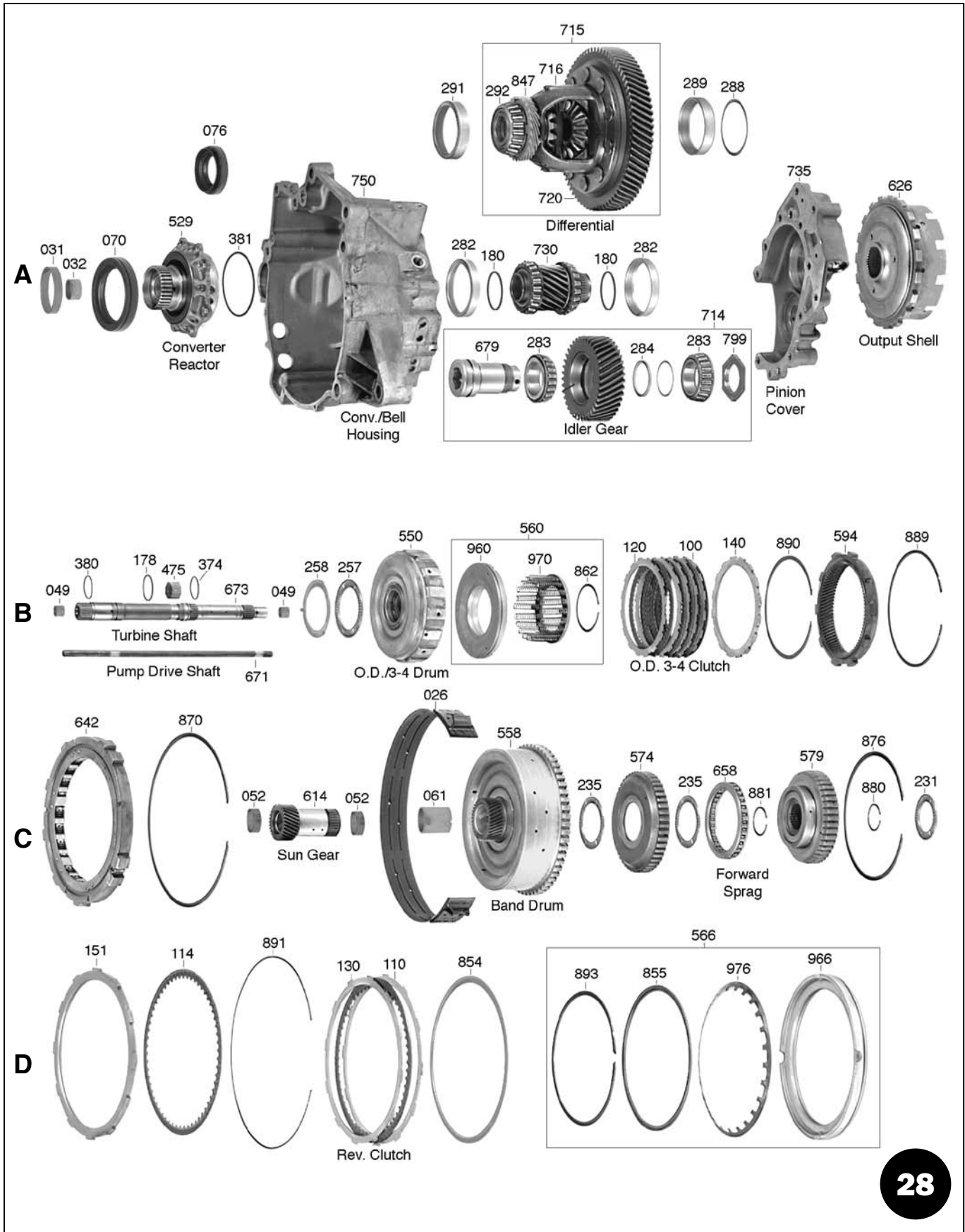
# FNR5 5 SPEED

ILL.	DESCRIPTION	QTY.	YEAR	PART NO.	REFERENCE NO.
<b>PLANETS</b>					
582C	Planet, Front.....	1	99-Up	48582	88950
584C	Planet, Rear .....	1	99-Up	48584	88951
592B	Ring Gear, Front .....	1	99-Up	48592	88952
<b>SUN GEARS, SHELLS &amp; SUPPORTS</b>					
612C	Sun Gear, Front .....	1	99-Up	48612	88948
614C	Sun Gear, Rear (2.910" Bearing Surface) (Ford).....	1	99-Up	48614	N/A
614C	Sun Gear, Rear (3.075" Bearing Surface) (Mazda) .....	1	99-Up	48614A	N/A
622	Shell, Sun Gear .....	1	99-Up	48622	88949
<b>SPRAGS</b>					
654B	Sprag, Low (20 Lugs) .....	1	99-Up	48654A	88960
664B	Sprag Race, Low.....	1	99-Up	48664	N/A
<b>DIFFERENTIALS</b>					
715H	Differential Assembly (85 T / 22 T Ring Gear, 57 T / 59 T Transfer Gear) .....	1	99-Up	48715HK	K88980D
715H	Differential Assembly (85 T / 22 T Ring Gear, 83 T / 87 T Transfer Gear) .....	1	99-Up	48715BK	K88980A
715H	Differential Assembly (86 T / 21 T Ring Gear, 57 T / 59 T Transfer Gear) .....	1	99-Up	48715GK	K88980C
715H	Differential Assembly (86 T / 21 T Ring Gear, 83 T / 87 T Transfer Gear) .....	1	99-Up	48715AK	K88980B
715H	Differential Assembly (88 T / 19 T Ring Gear, 86 T / 82 T Transfer Gear) .....	1	99-Up	48715LK	K88980F
<b>VALVE BODIES</b>					
740J	Valve Body (Premium) Ford .....	1	00-Up	48740-1	P88990F
740J	Valve Body (Premium) Mazda.....	1	99-Up	48740-2	P88990
<b>CASES &amp; HOUSINGS</b>					
750I	Bell Housing, Starter At 2:00 (Ford) .....	1	99-Up	48750	N/A
750I	Bell Housing, Starter At 11:00 (Ford) .....	1	99-Up	48750A	N/A
750I	Bell Housing, Flat Top (Mazda) .....	1	99-Up	48750B	N/A
750I	Bell Housing, Round Top (Mazda).....	1	99-Up	48750C	N/A
759E	Case Cover, Rear (w/ Cooler Fittings) (Ford) .....	1	99-Up	48759	N/A
759E	Case Cover, Rear (Universal) (Ford & Mazda) .....	1	99-Up	48759K	88995
760I	Case (Ford).....	1	99-Up	48760	N/A
760I	Case (Mazda) (2 Cooler Fittings) .....	1	99-Up	48760A	N/A
765J	Oil Pan No Drain Plug (Ford) .....	1	99-Up	48765	N/A
765J	Oil Pan w/ Drain Plug (Mazda) .....	1	99-Up	48765A	N/A
<b>MISCELLANEOUS COMPONENTS</b>					
857B	Cushion Plate, Low .....	1	99-Up	48857	N/A
900J	Servo, Intermediate / Overdrive.....	1	99-Up	48900	N/A
902J	Piston, Intermediate Servo (Bonded) .....	1	99-Up	48902	88528
925J	Accumulator Assembly w/ Springs 1-2 & N/D .....	1	99-Up	48925K	N/A
964F	Piston, Forward (Bonded).....	1	99-Up	48964A	88530
964F	Retainer, Forward (Bonded) .....	1	99-Up	48964B	88531
965D	Piston, Direct (Bonded) .....	1	99-Up	48965A	88532
965D	Retainer, Direct (Bonded).....	1	99-Up	48965B	88533
966E	Piston, Reverse (Ford) (Bonded).....	1	99-Up	48966B	88535A
966E	Piston, Reverse (Mazda) (Bonded) .....	1	99-Up	48966A	88535
967F	Piston, Low & Reverse (Bonded).....	1	99-Up	48967A	88534

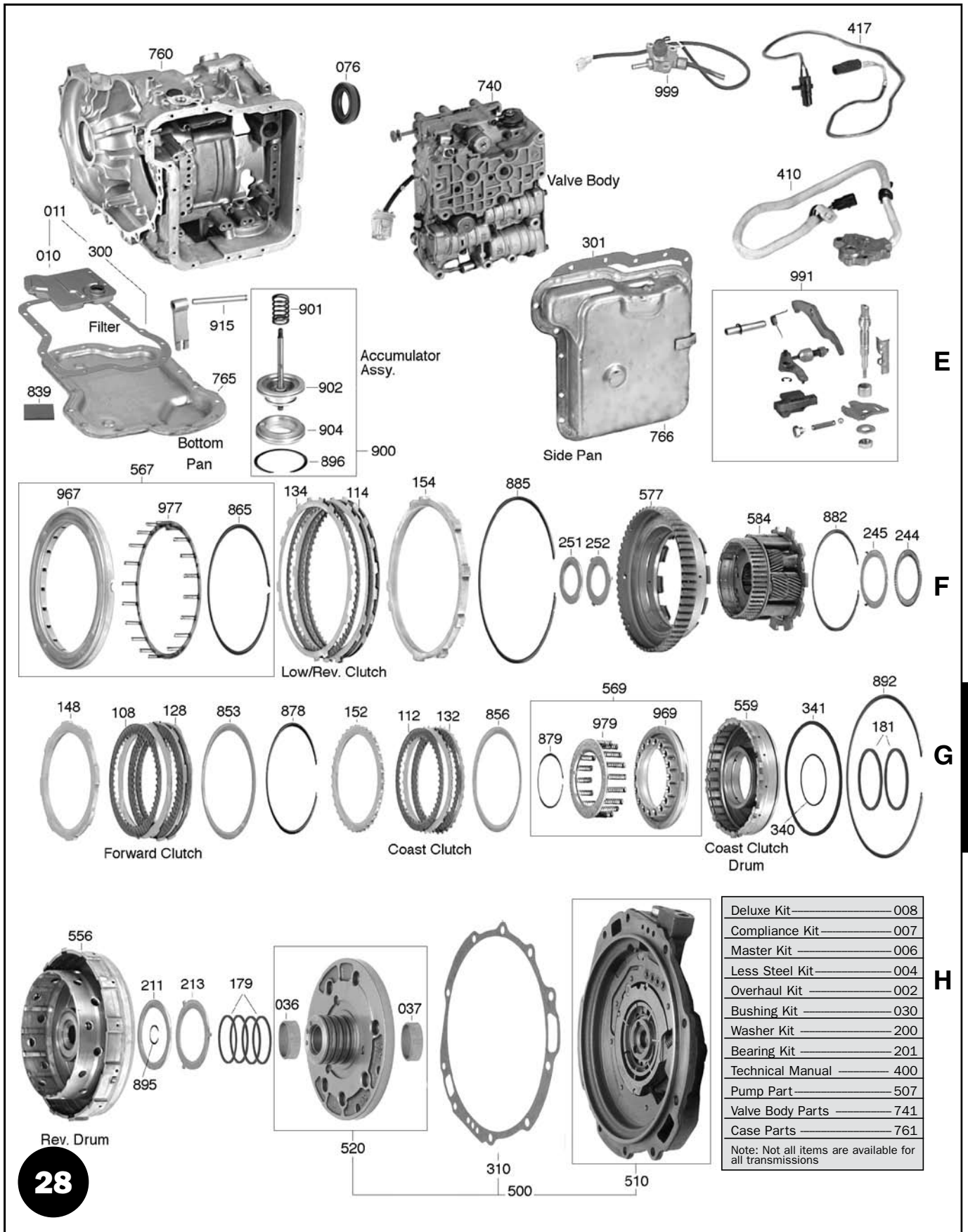


ILL.	DESCRIPTION	QTY.	YEAR	PART NO.	REFERENCE NO.
<b>MASTER OVERHAUL KITS (WITH STEELS)</b>					
006	F3A, MX-1, KF100.....	1	81-Up	18006F	K6500
<b>LESS STEEL KITS</b>					
004	F3A, MX-1, KF100.....	1	81-Up	18004F	K65800-LS
<b>OVERHAUL KITS (W/ RINGS &amp; SEALS)</b>					
002	F3A, MX-1, KF100.....	1	81-Up	18002F	K65900
<b>FILTERS</b>					
010	323, Tracer .....	1	86-89	18010B	65800
010	626, GLC (can use 18010B) .....	1	81-87	18010	N/A
010	Aspire .....	1	94-97	18010E	65800E
010	GM, Isuzu (Deep Pan w/o Tube) .....	1	85-86	18010A	65800A
010	GM, Isuzu (Deep Pan w/ 3" Tube) .....	1	87-93	18010C	65800B
010	Festiva .....	1	89-93	18010D	65800C
<b>BANDS</b>					
<b>Prefix Key: B = Borg Warner, A = OEM (Exc. BW), N = All Other New, R = Relined</b>					
022	Band .....	1	81-Up	13022	65700
<b>BUSHINGS</b>					
030	Bushing Kit .....	1	81-Up	18030	K65901
<b>MISCELLANEOUS COMPONENTS</b>					
070	Seal, Front .....	1	81-Up	18070	65200
076	Seal, Axles (Mazda & Ford) .....	2	81-Up	42076A	65201
076	Seal, Axles (GM & Isuzu) .....	2	81-Up	83076C	65201A
106	Friction, Forward & Direct .063" (44 T) .....	6-7	81-Up	53100	45103
114	Friction, Low/ Reverse .060" (62 T) .....	4-5	81-Up	18114	65104
126	Steel, Forward & Direct .063" (28 T) .....	6-7	81-Up	18126	65101
134	Steel, Low/ Reverse .059" (37 T) .....	4-5	81-Up	18134	65105
160	Modulator, Adjustable (Turbo) .....	1	81-Up	13160B	N/A
160	Modulator, Adjustable (Non Turbo) (.840" Diaphragm) .....	1	81-Up	13160	45820A
160	Modulator, Adjustable (Non Turbo) (.910" Diaphragm) .....	1	81-Up	13160A	45820E
229	Bearing w/ Race, Stator to Forward Drum 1.373" OD .....	1	81-Up	18229	65406
300	Gasket, Bottom Pan (Cork) .....	1	81-Up	18300	13190X
300	Gasket, Bottom Pan (Fiber) .....	1	81-Up	18300F	13190F
310	Gasket, Governor Cover .....	1	81-Up	18306A	13786
310	Gasket, Pump Body to Case (Paper) .....	1	81-Up	18310	N/A
310	Gasket, Pump Body to Case (Metal) .....	1	81-Up	18310A	13784
642	Sprag Assembly w/ Outer Race .....	1	81-Up	18642	65920
684	Governor Gear, Driven .....	1	81-Up	18684	65945

FN4A-EL, 4F27E







G4A-EL

# MAZDA - G4A-EL/HL, GF4A-EL - FWD

# FORD - G4EAT 4 SPEED



28010



28010D



28010A



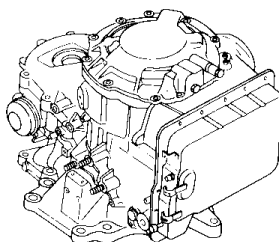
A28010A



28010B



A28010B



**MAZDA — G4A-EL/HL, GF4A-EL**  
626 87-Up  
MX6, 323 87-Up  
Millenia 95-Up

**FORD — G4EAT**  
Probe, Probe GT 89-Up  
Capri 91-Up

**IMPORTANT NOTES:**

G4A-EL is electronic (computer) controlled  
G4A-HL is hydraulic controlled  
G4A-EL (Mazda/Ford, 87-92)  
4 Solenoid  
GF4A-EL (Mazda/Ford, 93-Up)  
7 Solenoid

ILL.	DESCRIPTION	QTY.	YEAR	PART NO.	REFERENCE NO.
<b>MASTER OVERHAUL KITS (WITH STEELS) (1)</b>					
006H	G4A-EL, G4A-HL, 4EAT-G .....	1	86-87	28006F	K7400
006H	G4A-EL, G4A-HL, 4EAT-G .....	1	88-92	28006BF	K7400A
006H	4EAT-GF, GF4A-EL.....	1	93-02	28006EF	K7400B
<b>LESS STEEL KITS (1)</b>					
004H	G4A-EL, G4A-HL, 4EAT-G .....	1	86-87	28004F	K7400-LS
004H	G4A-EL, G4A-HL, 4EAT-G .....	1	88-92	28004BF	K7400A-LS
004H	4EAT-GF, GF4A-EL.....	1	93-02	28004EF	K7400B-LS
<b>OVERHAUL KITS (W/ RINGS &amp; SEALS) (1)</b>					
002H	G4A-EL, G4A-HL, 4EAT-G .....	1	86-92	28002F	K74900D
002H	4EAT-GF, GF4A-EL.....	1	93-02	28002EF	K74900B
<i>(1) Above Kits Built w/ Teflon Ring Kits. Metal Ring Kit Sold Separate - 28175E</i>					
<b>FILTER KITS</b>					
011E	4 Bolt (.625" Thick) .....	1	86-87	28011	FK74800
011E	3 Bolt (1" Thick) (All Metal) .....	1	88-94	28011A	FK74800A
011E	3 Bolt (1.5" Thick) (All Metal) .....	1	88-94	28011B	FK74800B
011E	3 Bolt (2.75" Thick) (w/ Plastic Pick-up Tube) .....	1	93-02	28011D	FK74800C
<b>FILTERS</b>					
010E	4 Bolt (.625" Thick) .....	1	86-87	28010	74800
010E	3 Bolt (1" Thick) (All Metal) .....	1	88-94	A28010A	74800A
010E	3 Bolt (1" Thick) (Metal & Plastic) .....	1	88-94	28010A	74800F
010E	3 Bolt (1.5" Thick) (All Metal) .....	1	88-92	A28010B	74800B
010E	3 Bolt (1.5" Thick) (Metal & Plastic) .....	1	88-92	28010B	74800G
010E	3 Bolt (2.75" Thick) (w/ Plastic Pick-up Tube) .....	1	93-02	28010D	74800C
015	Thimble Filter in Valve Body .....	1	86-92	28015	74711
015	Thimble Filter in Valve Body .....	1	93-02	28015A	74711A

# FORD - G4EAT 4 SPEED

# MAZDA - G4A-EL/HL, GF4A-EL - FWD

ILL.	DESCRIPTION	QTY.	YEAR	PART NO.	REFERENCE NO.
<b>BANDS</b>					
<b>Prefix Key: B = Borg Warner, A = OEM (Exc. BW), N = All Other New, R = Relined</b>					
026C	Non Turbo (1.50" Wide).....	1	86-92	28026	74700
026C	Non Turbo (1.50" Wide) (Hi Energy) .....	1	93-02	28026A	74700H
026C	Turbo (1.75" Wide).....	1	86-92	28026B	74700A
<b>BUSHINGS</b>					
030H	Bushing Kit (Steel Backed) (9 Pieces).....	1	86-02	28030	K74901B
030H	Bushing Kit (Solid Bronze) (7 Pieces) .....	1	86-02	28030B	K74901
031A	Converter Hub (2.255" OD) .....	1	86-87	28031AA	74001
031A	Converter Hub (2.086" OD) .....	1	88-02	28031A	74001A
036H	Stator Support (.094" OD).....	1	86-02	28036	74002A
036H	Stator Support (1.092" OD).....	1	86-87	28036A	74002
037H	Pump Cover (.830" OD) .....	1	86-02	28037A	74007
037H	Pump Cover (1.262" OD) .....	1	86-02	28037	74006
061C	Band Drum 1 3/8" Long (Non-Turbo).....	1	86-02	28061	74005
061C	Band Drum 1 5/8" Long (Turbo).....	1	86-02	28061B	74005A
<b>METAL CLAD SEALS</b>					
070A	Front w/o Flange .....	1	86-02	28070	74200
070A	Front w/ Flange .....	1	86-02	28070A	N/A
076A	Axle (Both Sides) .....	2	86-02	42076A	65201
078	Speedometer .....	1	86-02	250078	50207
089	Retainer, Converter Seal .....	1	86-02	28089A	74991
<b>FRICITION PLATES</b>					
100B	3-4 (Overdrive) .063" (50 T) (w/ Grooves) .....	4-5	86-02	28100	74100
100B	3-4 (Overdrive) .063" (50 T) (Smooth) (can use 28100).....	5	93-02	28100A	N/A
108G	Forward .063" (48 T) .....	3-4	86-02	28108	74104
110D	Reverse .063" (58 T) V-Tooth .....	2	86-87	28114	74102
110D	Reverse .063" (58 T) Square Tooth.....	2	88-00	28114A	74102A
110D	Reverse .063" (32 T).....	2	01-02	28110	74102B
112G	Coast .062" (44 T) V-Tooth.....	2	86-87	28112	74106
112G	Coast .062" (44 T) Square Tooth.....	2	88-02	28112A	74106A
114F	Low/ Reverse .063" (58 T) V-Tooth.....	2	86-87	28114	74102
114F	Low/ Reverse .063" (58 T) Square Tooth .....	2	88-02	28114A	74102A
<b>STEEL PLATES</b>					
120B	3-4 (Overdrive) .063" (16 T) .....	5	86-87	28120	74101
120B	3-4 (Overdrive) .063" (29 T) .....	5	88-92	28120A	74101B
120B	3-4 (Overdrive) .091" (30 T) .....	5	88-02	28120B	74101A
120B	3-4 (Overdrive) .130" (29 T) .....	4	93-02	28120D	74101C
128G	Forward .063" (8 T) .....	3-4	86-92	28128	74105
128G	Forward .063" (32 T) .....	3	93-02	28128A	74105A
130D	Reverse .063" (12 T) .....	2	86-92	28130	74108
130D	Reverse .063" (32 T) .....	2	93-02	28130B	74108A
854D	Reverse Drumsaver, Replaces Belleville Spring .....	1	86-92	28854	74957W
132G	Coast .063" (32 T).....	2-3	86-02	28132	74107
134F	Low/ Reverse .063" (15 T).....	3-5	86-02	28134	74103
<b>PRESSURE PLATES</b>					
<b>Prefix Key: D = OEM, A = Aftermarket New, R = Remanufactured</b>					
140B	3-4 Clutch (3.8mm) .....	1	88-02	28140A	N/A
140B	3-4 Clutch (4.0mm) .....	1	88-02	28140B	N/A
140B	3-4 Clutch (4.2mm) .....	1	88-02	28140C	N/A

G4A-EL

# MAZDA - G4A-EL/HL GF4A-EL - FWD

# FORD - G4EAT 4 SPEED

ILL.	DESCRIPTION	QTY.	YEAR	PART NO.	REFERENCE NO.
<b>PRESSURE PLATES (Cont.)</b>					
140B	3-4 Clutch (4.4mm) .....	1	88-02	28140D	N/A
140B	3-4 Clutch (4.6mm) .....	1	88-02	28140E	N/A
140B	3-4 Clutch (4.8mm) .....	1	88-02	28140F	N/A
148G	Forward Clutch (8 T) (.232") .....	1	86-92	28148A	N/A
151D	Reverse Clutch (12 T) (.258") .....	1	86-92	28151A	N/A
151D	Reverse Clutch (12 T) (.274") .....	1	86-92	28151AA	N/A
151D	Reverse Clutch (12 T) (.290") .....	1	86-92	28151AC	N/A
152G	Coast Clutch (.189") .....	1	86-02	28152A	N/A
152G	Coast Clutch (.220") .....	1	86-02	28152E	N/A
154F	Low/ Reverse Clutch (15 T) (10.2mm) .....	1	86-87	28154	N/A
<b>VALVE BODY RECALIBRATION KITS</b>					
165H	Shift Kit® (1 & 4 Solenoids) (Transgo®) .....	1	86-93	T28165	K74908
165H	Shift Kit® (7 Solenoids) (GF4A-EL) (Transgo®) .....	1	93-02	T28165B	K74908B
<b>SEALING RINGS</b>					
175H	Ring Kit (Metal & Teflon) .....	1	86-02	28175C	K74903AT
175H	Ring Kit, 6 Rings (Metal) (2-28180 & 4-28179) .....	1	86-02	28175E	K74903
179H	Stator Shaft (Metal) .....	4	86-02	28179	74302
180A	Output Gear Shaft (Metal) .....	2	86-02	28180	74303
<b>BEARINGS &amp; RACES</b>					
211H	Bearing w/ Race, Stator to Reverse Drum .....	1	86-02	28211	74504
213H	Race, Stator to Reverse Drum (1.2mm) (3 Tab) .....	1	86-92	28213A	74400
213H	Race, Stator to Reverse Drum (2.2mm) (3 Tab) .....	1	86-92	28213AE	74400E
231C	Bearing w/ Race, Reverse Drum to Hub .....	1	86-02	28231	74502
235C	Bearing, Drum w/ Sun Gear to Forward Clutch Hub .....	2	86-02	28235	74503
257B	Bearing w/ Race, Shell to 3-4 Clutch Drum .....	1	86-02	28257	74501
283A	Bearing, Idler Gear .....	2	86-02	28283	74946
212	Stator to Reverse Drum Shims (5 Per Pack) .....	1	86-02	S28212A	K74412
<b>GASKETS &amp; O-RINGS</b>					
300E	Gasket, Bottom Pan (Non Turbo) (Cork) .....	1	86-02	28300	13905A
300E	Gasket, Bottom Pan (Non Turbo) (Fiber) .....	1	86-02	28300F	13905AF
300E	Gasket, Bottom Pan (w/ Turbo) (Cork) .....	1	86-02	28300A	13905
300E	Gasket, Bottom Pan (w/ Turbo) (Fiber) .....	1	86-02	28300AF	13905F
301E	Gasket, Side Pan (Non Turbo) (Cork) .....	1	86-02	28301	13907A
301E	Gasket, Side Pan (Non Turbo) (Fiber) .....	1	86-02	28301F	13907AF
301E	Gasket, Side Pan (w/ Turbo) (Cork) .....	1	86-02	28301A	13907
301E	Gasket, Side Pan (w/ Turbo) (Fiber) .....	1	86-02	28301AF	13907F
309	Gasket/ Washer, Pump Bolt .....	9	86-02	28309	N/A
310H	Gasket, Pump .....	1	86-02	28310	13906
320	Gasket Set, Valve Body .....	1	86-89	28320AK	K74900AK
320	Gasket Set, Valve Body .....	1	90-92	28320BK	K74900B-4
320	Gasket Set, Valve Body .....	1	93-02	28320CK	K74900C-4
379	O-Ring, Filter .....	1	86-02	28379	13908
390	External Seal Kit .....	1	86-02	28390	SK74900-2
741	Seal Kit, Accumulators (O-Rings) .....	1	86-89	28741K	K74900-3
741	Seal Kit, Accumulators (D-Rings) .....	1	90-02	28741AK	K74900-A3
<b>TECHNICAL MANUALS</b>					
400H	Tech Manual, Electronic G4A-EL .....	1	86-92	28400	74Y02
400H	Tech Manual, Hydraulic G4A-HL .....	1	86-02	28400A	74Y03
400H	Tech Manual, Electronic GF4A-EL .....	1	93-02	28400B	74Y04
400H	Tech Manual, Rebuild Procedures .....	1	90-Up	28400C	N/A

ILL.	DESCRIPTION	QTY.	YEAR	PART NO.	REFERENCE NO.
<b>ELECTRICAL COMPONENTS</b>					
416	Solenoid, Lock-up Control (Black Connector).....	1	93-02	28416	5A-138B
420	Solenoid Assembly, Hydraulic (1 Solenoid Valve Body) (G4A-HL) .....	1	86-02	28420	5R-133H
420	Solenoid Assembly, Electronic (4 Solenoid Valve Body) (G4A-EL) .....	1	87-92	28420A	31A-133
420	Solenoid Assembly, Electronic (7 Solenoid Valve Body) (GF4A-EL) .....	1	93-02	28420C	31A-138
421	Solenoid, 1-2 Shift (Black Connector).....	1	93-02	28421A	5A-138A
422	Solenoid, 2-3 Shift (Green or Brown Connector) .....	1	93-02	28422A	5A-138D
423	Solenoid, 3-4 Shift (Yellow Connector) .....	1	93-02	28423A	5A-138C
425	Solenoid, Lock-Up & EPC.....	2	93-02	28425A	5A-138
434	Solenoid, 3-2 Down Shift (Black Connector) .....	1	93-02	28434A	5A-138E
445	Repair Kit, External Wire Harness (5 Prong) .....	1	86-02	28445EK	N/A
445	Repair Kit, External Wire Harness (5 Plug-in, Fits 5 Prong Connector) .....	1	86-02	28445EAK	N/A
<b>HARD PARTS</b>					
<b>Prefix Key: D = OEM, A = Aftermarket New, R = Remanufactured</b>					
<b>PUMPS</b>					
500	Pump Assembly.....	1	86-87	28500A	74920
500H	Pump Complete (Rotor & Vanes) .....	1	88-92	28500AA	74920B
500H	Pump Complete (Gears).....	1	93-02	28500C	74920A
529A	Converter Reactor (31 Splines) 1 3/8" Center to Center * .....	1	88-02	28529	74919
529A	Converter Reactor (31 Splines) 1 3/4" Center to Center * .....	1	88-02	28529A	N/A
529A	Converter Reactor (31 Splines) 1 7/8" Center to Center * .....	1	88-02	28529D	N/A
529A	Converter Reactor (35 Splines) 1 3/4" Center to Center * .....	1	86-87	28529C	N/A
529A	Converter Reactor (35 Splines) 1 3/8" Center to Center * .....	1	86-87	28529B	N/A
* Locate The 2 Bolt Holes That Are The Closest Together. Measure The 2 Bolt Holes 180 Degrees Across From These.					
<b>PUMP COMPONENTS</b>					
507H	Pump Vane Expander Ring, Decreases Internal Leakage.....	1	86-02	28538A	N/A
507H	Pump Valve w/ Spring Kit (Fixes Low Pressure) .....	1	93-02	S38507PK	K84964
507H	Pressure Regulator Spool Valve, Spring & Expander Ring .....	1	86-02	28507LK	K74964
507H	Valve Kit, Pump Bypass (Prevents Low Pressure Failure) .....	1	93-02	A38507PK	K84908V
<b>DRUMS &amp; CLUTCH HUBS</b>					
550B	3-4 Clutch (16 T Steels).....	1	1987	28550A	74959
550B	3-4 Clutch (30 T Steels) 1.515" Overall Height (2 1/16" OD Neck) .....	1	86-02	28550BA	74959A
550B	3-4 Clutch (30 T Steels) 1.655" Overall Height (2 1/16" OD Neck) .....	1	86-02	28550BB	N/A
556H	Reverse (20 Spl) 3 Forward Clutches (12 T Rev Steels 32 T Forward Steels).....	1	88-92	28556C	74925A
556H	Reverse (20 Spl) 4 Forward Clutches (12 T Rev Steels 16 T Forward Steels).....	1	88-92	28556EA	74925B
556H	Reverse (20 Spl) 4 Forward Clutches (32 T Rev Steels 32 T Forward Steels).....	1	93-02	28556D	74925C
558C	Band Drum (2 Clutch) (Uses 1 1/2" Wide Band, Square T Friction 28114A) .....	1	86-02	28558A	74951
558C	Band Drum (3 Clutch) (Uses 1 1/2" Wide Band, Square T Friction 28114A) .....	1	86-02	28558AA	74951A
558C	Band Drum (3 Clutch) (Uses 1 3/4" Wide Band, Square T Friction 28114A) .....	1	86-02	28558C	74951B
577F	Clutch Hub, Low Clutch w/ Inner Race (39 Inner T).....	1	86-02	28577	74961
577F	Clutch Hub, Low Clutch w/ Inner Race (10 Inner T).....	1	86-02	28577A	74961A
<b>PLANETS</b>					
584F	Planet (10 T on Flange) .....	1	86-02	28584B	74950B
584F	Planet (39 T on Flange) .....	1	86-02	28584	74950
594B	Ring Gear, Planet (10 Lug) .....	1	86-02	28594	74953
594B	Ring Gear, Planet (18 Lug) .....	1	86-02	28594A	74953B
<b>SUN GEARS</b>					
614C	Sun Gear (3 1/16" Long).....	1	86-02	28614B	74952
614C	Sun Gear (3 5/16" Long).....	1	86-02	28614	74952A



# MAZDA - G4A-EL/HL GF4A-EL - FWD

# FORD - G4EAT 4 SPEED

ILL.	DESCRIPTION	QTY.	YEAR	PART NO.	REFERENCE NO.
<b>SPRAGS</b>					
642C	Low Overrunning Sprag (w/ Outer Race) (7 Lugs .520 Thick) .....	1	86-02	28642	N/A
642C	Low Overrunning Sprag (w/ Outer Race) (7 Lugs .550 Thick) .....	1	86-92	28642A	74960
642C	Low Overrunning Sprag (w/ Outer Race) (9 Lugs .520 Thick) .....	1	98-02	28642B	74960B
658C	Forward Sprag .....	1	86-02	28658	74940
<b>SHAFTS</b>					
671B	Pump Shaft (14.312" Long) .....	1	86-02	28671	74930
671B	Pump Shaft (14.440" Long) .....	1	86-02	28671AA	74930B
671B	Pump Shaft (14.750" Long) .....	1	86-02	28671A	74930A
<b>DIFFERENTIALS</b>					
715A	Differential Assembly (73 T Ring, 41 T Idler, 20 T Drive) (2.0L) .....	1	93-02	28715DK	K74995B
715A	Differential Assembly (74 T Ring, 41 T Idler, 20 T Drive) (Non Turbo) .....	1	86-92	28715AK	K74995
715A	Differential Assembly (74 T Ring, 41 T Idler, 20 T Drive) (Turbo) (3.0L) .....	1	86-92	28715BAK	K74995A
715A	Differential Assembly (79 T Ring, 41 T Idler, 19 T Drive) (2.5L) .....	1	93-02	28715CK	K74995C
<b>VALVE BODIES</b>					
740E	Valve Body (Premium) 4 Solenoid .....	1	86-92	28740-1	P74990
740E	Valve Body (Premium) 6 Solenoid (Plug Type TOT) .....	1	93-02	28740-5	P74990E
740E	Valve Body (Premium) 6 Solenoid (Wire Type TOT) .....	1	93-02	28740-3	P74990D
740E	Valve Body (Premium) 7 Solenoid (Plug Type TOT) .....	1	93-02	28740-4	P74990C
740E	Valve Body (Premium) 7 Solenoid (Wire Type TOT) .....	1	93-02	28740-2	P74990B
<b>VALVE BODY COMPONENTS</b>					
741H	Boost Valve Kit (w/ TV Cable) .....	1	86-92	28741TK	K74965
741H	Boost Valve Kit (w/o TV Cable) .....	1	93-02	28741TAK	K74965B
741H	Valve, Pressure Modifier (requires T-74846-TL4) .....	1	93-02	28741L-1	74967
741H	Valve, Pressure Regulator Oversized (requires T-74846-TL5) .....	1	93-02	28741P-1	74966
<b>MISCELLANEOUS COMPONENTS</b>					
847A	Gear, Speed-O Drive (25 Tooth) .....	1	86-02	28847A	N/A
854D	Spacer, Reverse Clutch Spring (Replaces Belleville Spring) .....	1	86-92	28854	74957W
976D	Spring, Reverse Clutch Beveled Return (.060" Thick) .....	1	88-02	28976A	74958
Tool	Tool For S28741L-1 .....	1	93-02	T-74846-TL4	T-9114
Tool	Tool For S28741P-1 .....	1	93-02	T-74846-TL5	T-9113
Tool	Tool, 3-4 Drum Test Tool Kit .....	1	86-02	T-71828-TL	N/A
Tool	Tool, Pump Drive Tool .....	1	86-02	T-71151-K	N/A
<b>NOTES</b>					

# DRIVEN

## TO BE THE BEST IN...



# QUALITY PARTS

**TRANSTAR**  
TRANSTAR INDUSTRIES, INC.®

TRANSTAR INDUSTRIES, INC. • 7350 YOUNG DRIVE • CLEVELAND, OHIO 44146 • WWW.TRANSTAR1.COM

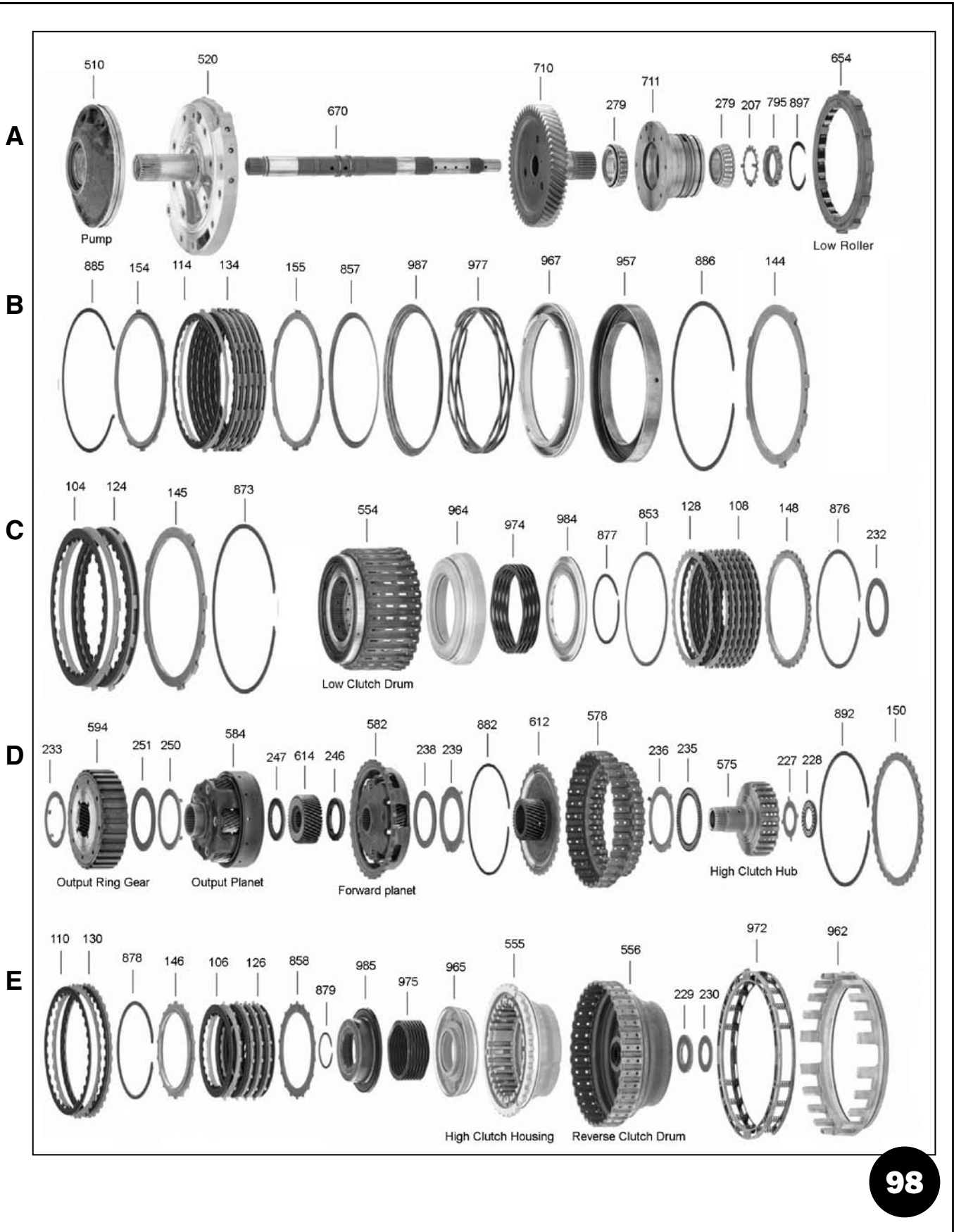
AT TRANSTAR, WE'RE DRIVEN TO BRING YOU THE PRODUCTS AND SERVICES YOU NEED TO HELP YOUR BUSINESS THRIVE. BEYOND BRINGING YOU QUALITY BRANDS, COMPETITIVE PRICING, WORLDWIDE DISTRIBUTION AND SAME-DAY SERVICE TO MOST U.S. MARKETS, WE BRING YOU THE INDUSTRY-LEADING ONLINE INVENTORY AND ORDERING TOOLS DESIGNED TO GIVE YOU THE EDGE.  
DRIVEN TO BE THE BEST FOR YOU.

800.359.3339 | [www.transtar1.com](http://www.transtar1.com) .....



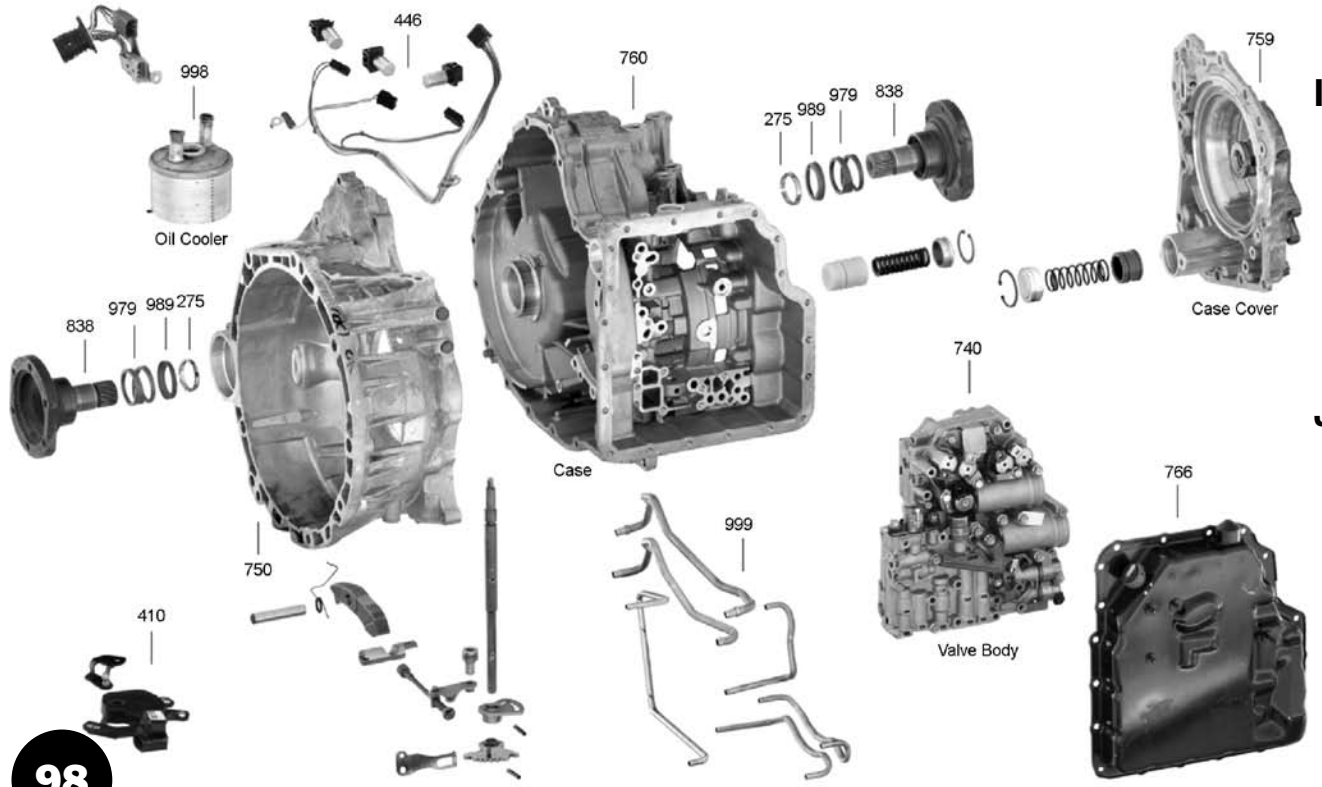
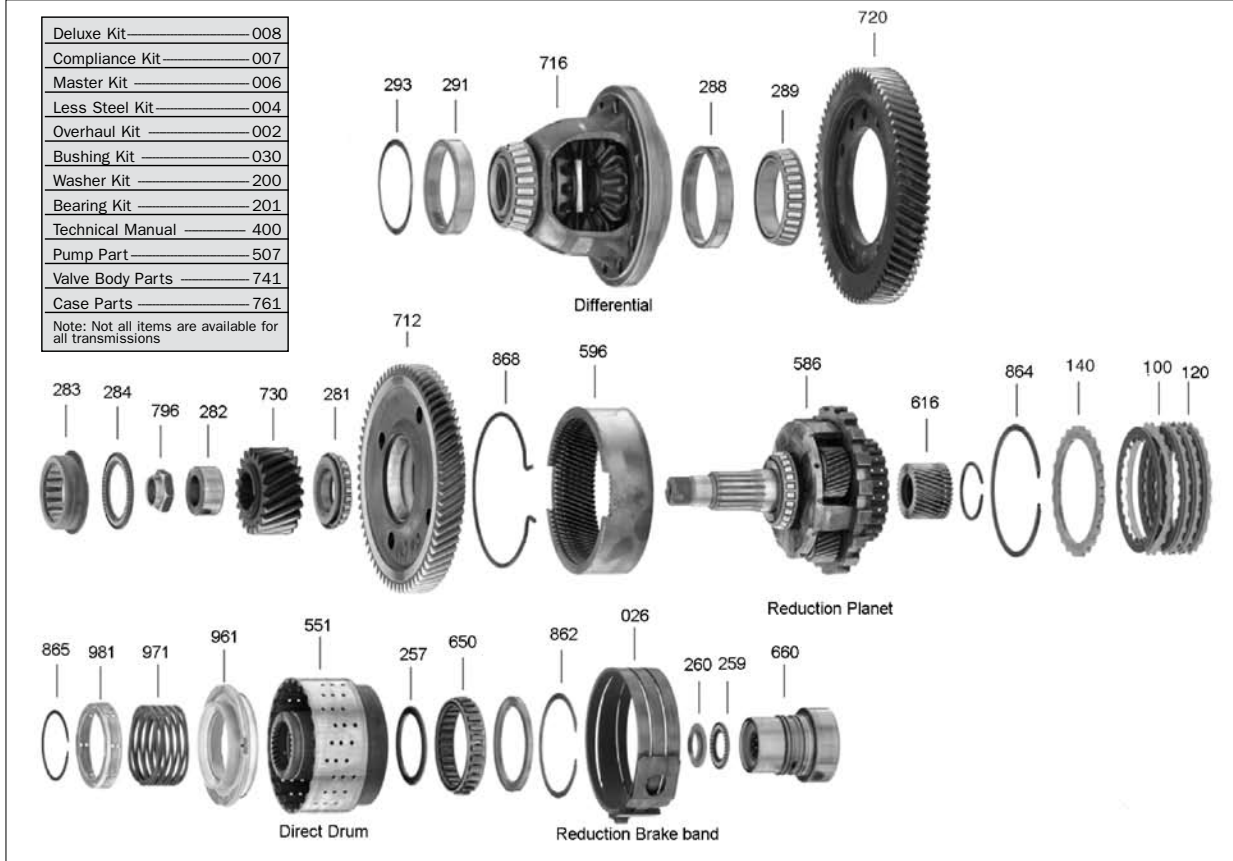
**JF506E (RE5F01A)  
FWD 5 SPEED**

**JAGUAR, MAZDA  
ROVER, VW**



Deluxe Kit	008
Compliance Kit	007
Master Kit	006
Less Steel Kit	004
Overhaul Kit	002
Bushing Kit	030
Washer Kit	200
Bearing Kit	201
Technical Manual	400
Pump Part	507
Valve Body Parts	741
Case Parts	761

Note: Not all items are available for all transmissions



**98**

F

G

H

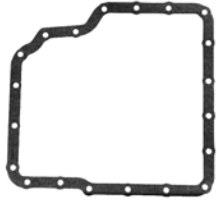
I

J

JF506E

# JF506E (RE5F01A) FWD 5 SPEED

# JAGUAR, MAZDA ROVER, VW



98301



98010



98010A



98010B



ILL.	DESCRIPTION	QTY.	YEAR	PART NO.	REFERENCE NO.
<b>MASTER OVERHAUL KITS (WITH STEELS)</b>					
006F	Mazda (w/ Bonded Piston Retainers) .....	1	02-Up	98006A	K9100B
006F	Jaguar, Land Rover (w/ Bonded Piston Retainers) .....	1	99-Up	98006C	K9100
006F	VW (w/ Bonded Piston Retainers) .....	1	00-Up	98006B	K9100D
<b>LESS STEEL KITS</b>					
004F	Mazda (w/ Bonded Piston Retainers) .....	1	02-Up	98004A	K9100B-LS
004F	Jaguar, Land Rover (w/ Bonded Piston Retainers) .....	1	99-Up	98004C	K9100-LS
004F	VW (w/ Bonded Piston Retainers) .....	1	00-Up	98004B	K9100D-LS
<b>OVERHAUL KITS (W/ RINGS &amp; SEALS)</b>					
002F	Mazda .....	1	02-Up	98002A	K91900B
002F	Jaguar, Land Rover .....	1	99-Up	98002C	K91900
002F	VW .....	1	00-Up	98002B	K91900D
<b>FILTERS</b>					
010	Round Pickup (Jaguar, Mazda) .....	1	99-Up	98010	91800
010	Rectangular Pickup (.650") (VW Exc Sharan) .....	1	00-Up	98010A	91800D
010	Rectangular Pickup (1.300") (Land Rover & VW Sharan) .....	1	00-Up	98010B	91800E
<b>BANDS</b>					
<b>Prefix Key: B = Borg Warner, A = OEM (Exc. BW), N = All Other New, R = Relined</b>					
026H	Reduction .....	1	99-Up	98026	91700
<b>BUSHINGS</b>					
030F	Bushing Kit .....	1	99-Up	98030	K91901
034A	Pump .....	1	99-Up	83034A	82001A
<b>METAL CLAD SEALS</b>					
070A	Pump .....	1	02-Up	98070	91200
076I	Bell & Case (Mazda) .....	2	02-Up	98076	91201C
076I	Bell & Case (VW) .....	2	00-Up	98076A	91201E
076I	Bell & Case (Jaguar, Landrover 2wd) .....	2	99-Up	98076B	N/A
076I	Axle (Right Side) (Awd) .....	1	99-Up	98076C	N/A
077I	Axle (Left Side) (Awd) .....	1	99-Up	98077	N/A
<b>FRICITION PLATES</b>					
100G	Direct .....	4	99-Up	98100	91110
104C	2-4 .....	3	99-Up	98104	91106
106E	High .....	5	99-Up	83106BA	82103D
108C	Low .....	7	99-Up	23108	77104F
110E	Reverse .....	2	99-Up	98110	91102
114B	Low/ Reverse .....	6	99-Up	83114BA	82106B



ILL.	DESCRIPTION	QTY.	YEAR	PART NO.	REFERENCE NO.
<b>STEEL PLATES</b>					
120G	Direct.....	4	99-Up	98120	91111
124C	2-4 (3.0mm).....	2	99-Up	98124	91107
126E	High (.063").....	1	99-Up	98126A	91101
126E	High (.094").....	4	99-Up	98126	91101A
128C	Low.....	7	99-Up	98128	91105
130E	Reverse.....	2	99-Up	98130	91103
134B	Low/ Reverse.....	5	99-Up	98134	91109
<b>GASKETS &amp; O-RINGS</b>					
301J	Gasket, Side Pan.....	1	99-Up	98301	13290F
<b>TECHNICAL MANUALS</b>					
400F	Tech Manual.....	1	99-Up	98400	91Y01
400F	Tech Manual (Update) (Green Book).....	1	99-Up	98400C	N/A
400F	Tech Manual, ATRA Jatco/Nissan 5 Speed Rebuild Procedures.....	1	99-Up	98400A	N/A
<b>ELECTRICAL COMPONENTS</b>					
420	Solenoid Group (VW, Landrover, Jaguar).....	1	99-Up	98420	31A-550
421	Solenoid, Shift "A" (VW, Landrover, Jaguar).....	1	99-Up	98421A	N/A
422	Solenoid, Shift "B" (VW, Landrover, Jaguar).....	1	99-Up	98422A	N/A
423	Solenoid, Shift "C" (VW, Landrover, Jaguar).....	1	99-Up	98423A	N/A
425	Solenoid, TCC (VW, Landrover, Jaguar).....	1	99-Up	98425A	N/A
428	Solenoid, 2-4 Brake Duty (Oil Pressure) (VW, Landrover, Jaguar).....	2	99-Up	98428A	N/A
431	Solenoid, EPC (Main Pressure) (VW, Landrover, Jaguar).....	1	99-Up	98431A	5A-550
432	Solenoid, 2-4 Brake Timing (VW, Landrover, Jaguar).....	1	99-Up	98432A	N/A
432	Solenoid, Reduction Timing (VW, Landrover, Jaguar).....	1	99-Up	98432B	N/A
432	Solenoid, Shift Low Timing (VW, Landrover, Jaguar).....	1	99-Up	98432C	N/A
436	Sensor, Turbine, Input & Output (VW, Landrover, Jaguar).....	3	99-Up	98436	20A-550
420	Solenoid Group (Mazda).....	1	02-Up	98420A	31A-550A
421	Solenoid, Shift "A" (Mazda).....	1	02-Up	98421B	N/A
422	Solenoid, Shift "B" (Mazda).....	1	02-Up	98422A	N/A
423	Solenoid, Shift "C" (Mazda).....	1	02-Up	98423B	N/A
425	Solenoid, TCC (Mazda).....	1	02-Up	98425B	N/A
430	Solenoid, Neutral Shift Control (Mazda).....	1	02-Up	98430	N/A
430	Solenoid, 2-4 Shift Duty & Duty High Clutch Control (Mazda).....	2	02-Up	98430A	N/A
431	Solenoid, EPC (Main Pressure) (Mazda).....	1	02-Up	98431A	5A-550
432	Solenoid, Reduction Timing (Mazda).....	1	02-Up	98432D	N/A
436	Sensor, Turbine, Input & Output (Mazda).....	3	02-Up	98436	20A-550
<b>MISCELLANEOUS COMPONENTS</b>					
500A	Pump Assembly.....	1	99-Up	98500	91920E
650H	Sprag, Reduction.....	1	99-Up	98650	91930
654A	Low Roller Clutch.....	1	99-Up	98654	91960
740J	Valve Body (Premium) Mazda.....	1	02-Up	98740-1	P91990B
740J	Valve Body (Premium) VW.....	1	00-Up	98740-2	P91990D
740J	Valve Body (Premium) Landrover, Jaguar.....	1	99-Up	98740-3	P91990
740J	Control Plunger w/ Sleeve (TCC).....	1	99-Up	98741Q	K91886
965E	Piston, High Clutch.....	1	99-Up	98961A	91927
965E	Retainer, High Clutch (Bonded).....	1	99-Up	98961	91530
966	Piston, Reverse Clutch.....	1	99-Up	98966B	91924
966	Piston Kit, Reverse & High Clutch.....	1	99-Up	98966AK	N/A