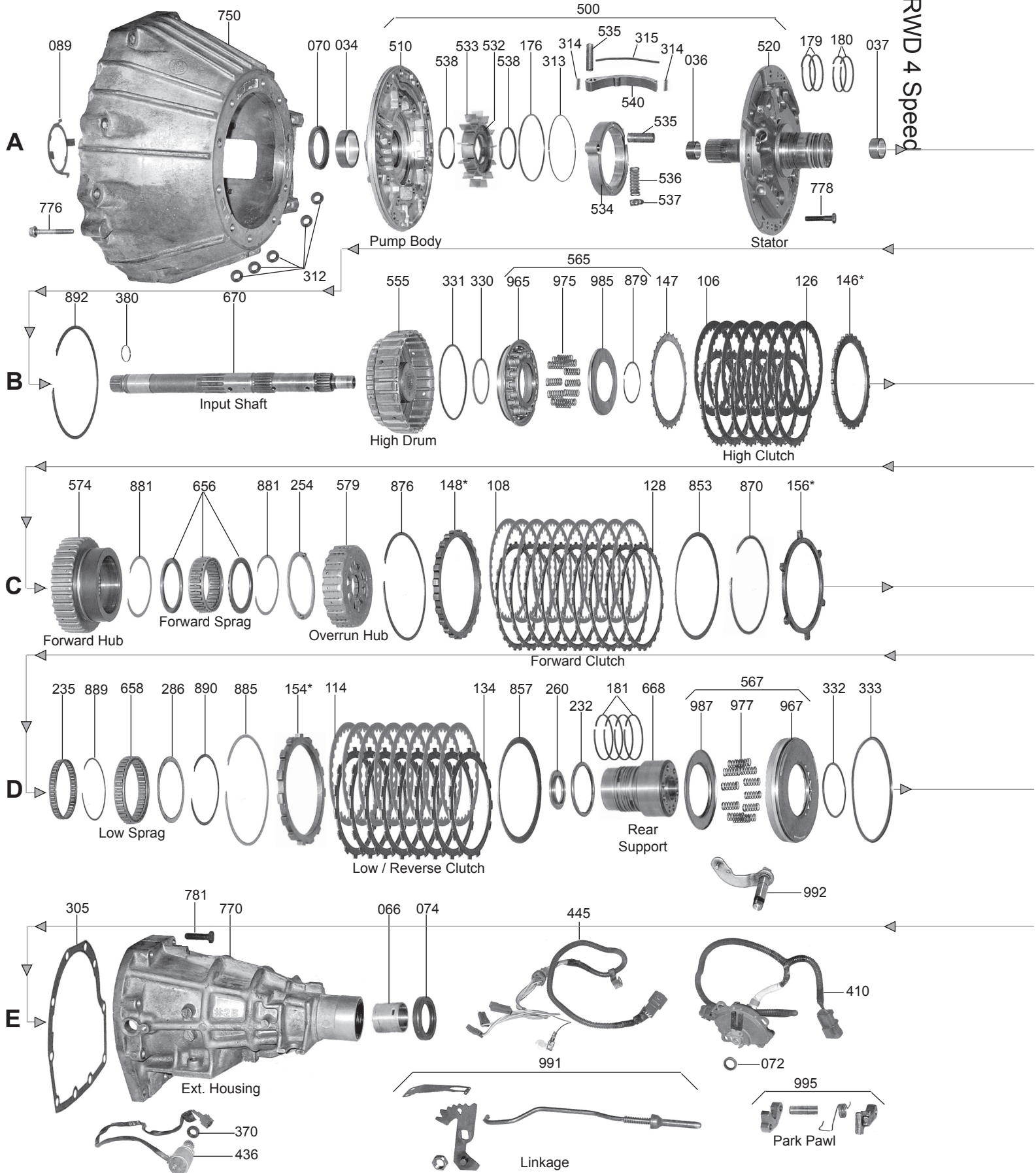


RL4R01A / RE4R01A / RE4R03A

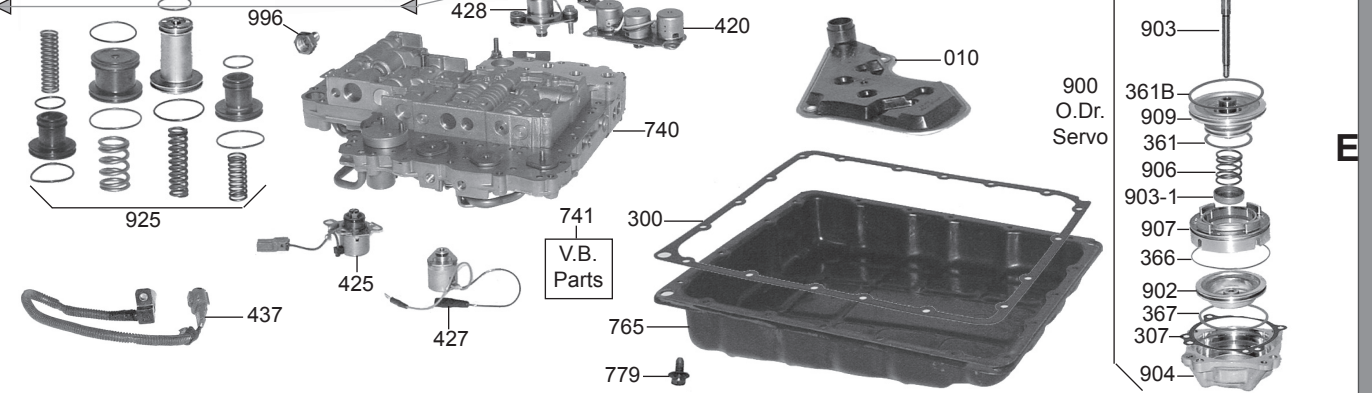
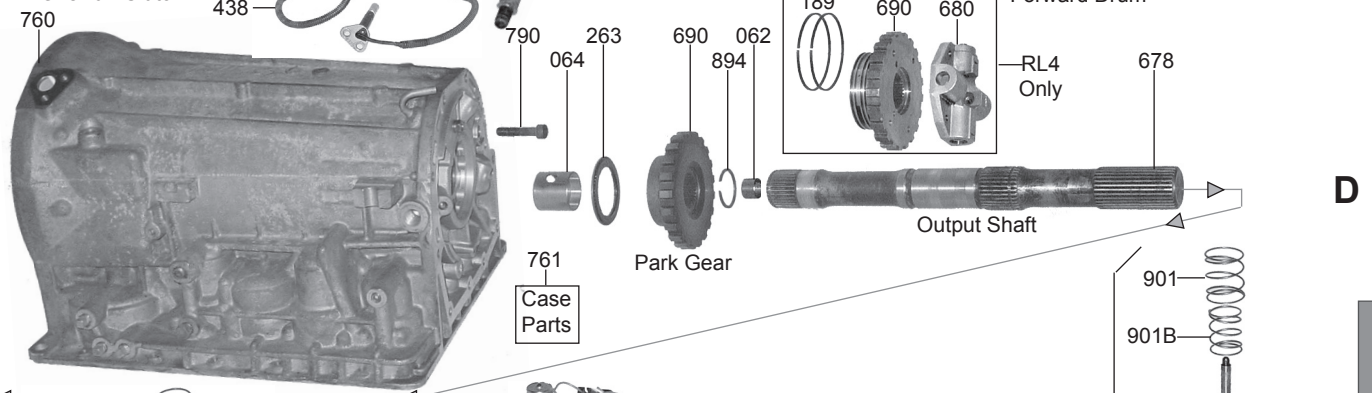
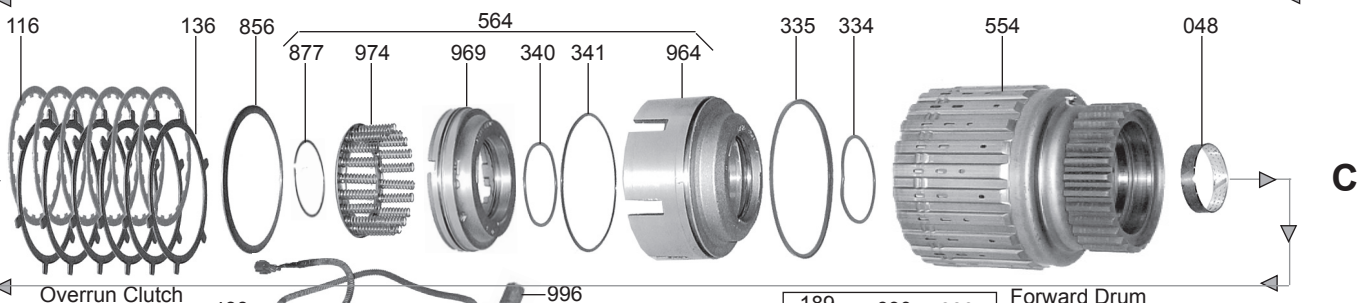
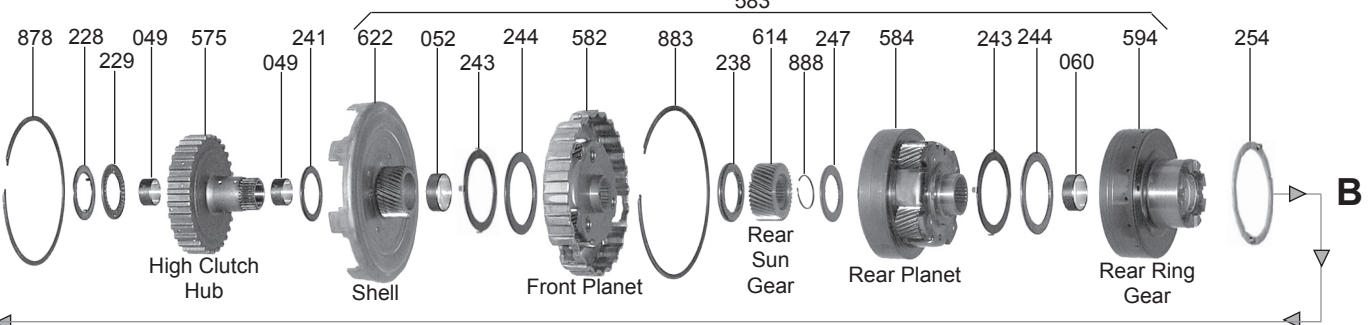
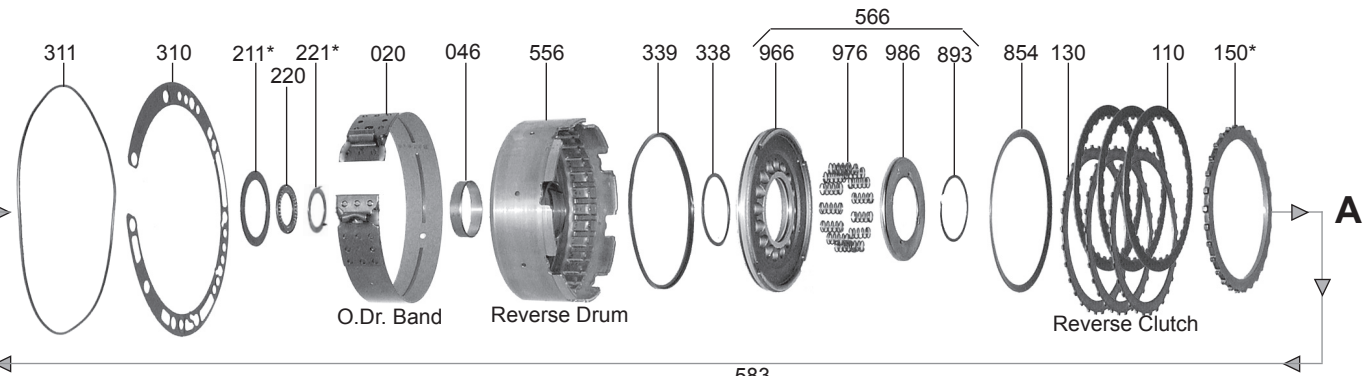


RWD 4 Speed



JATCO / NISSAN

RWD 4 Speed

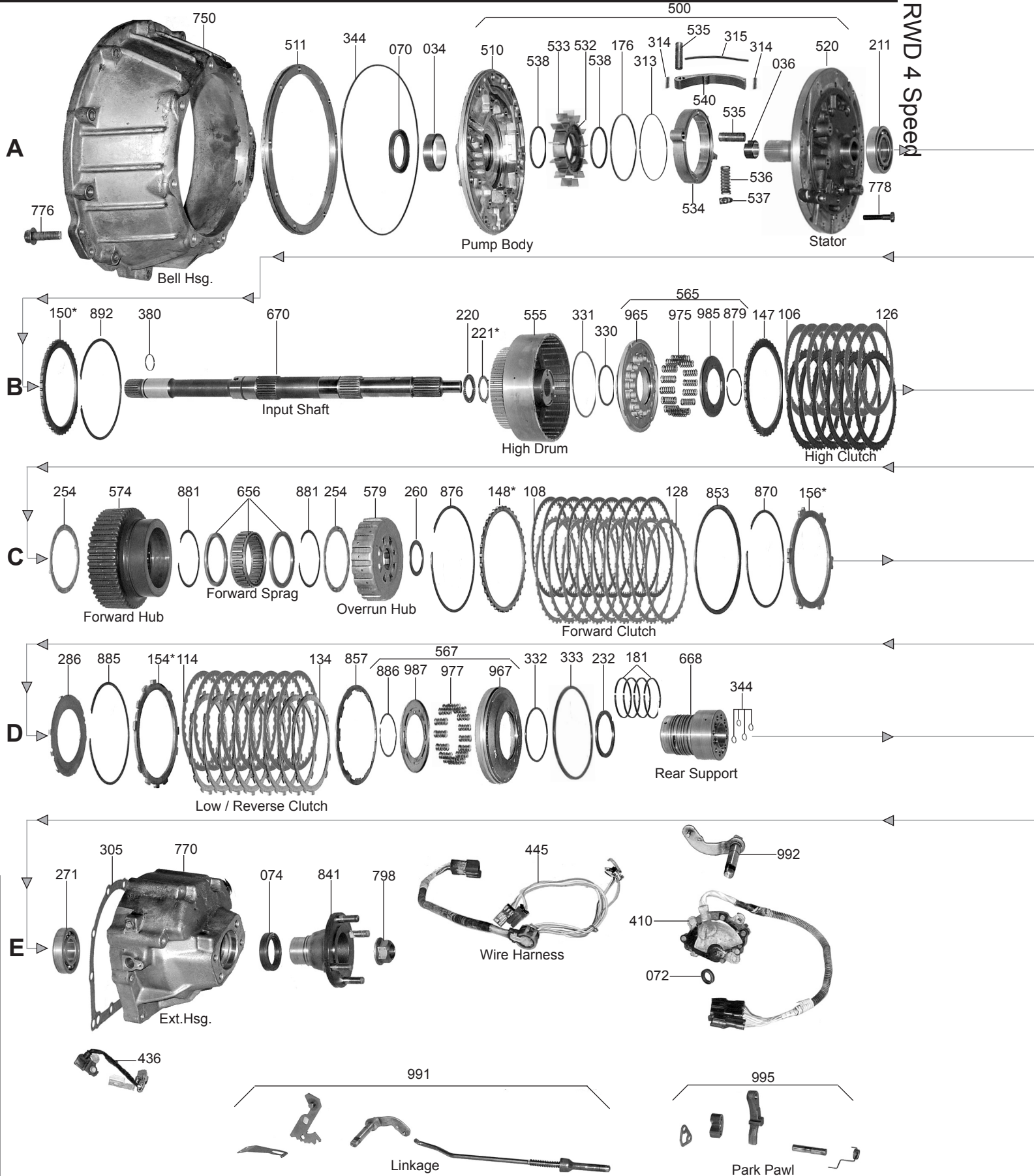


JATCO / NISSAN

RG4R01A / JR403E

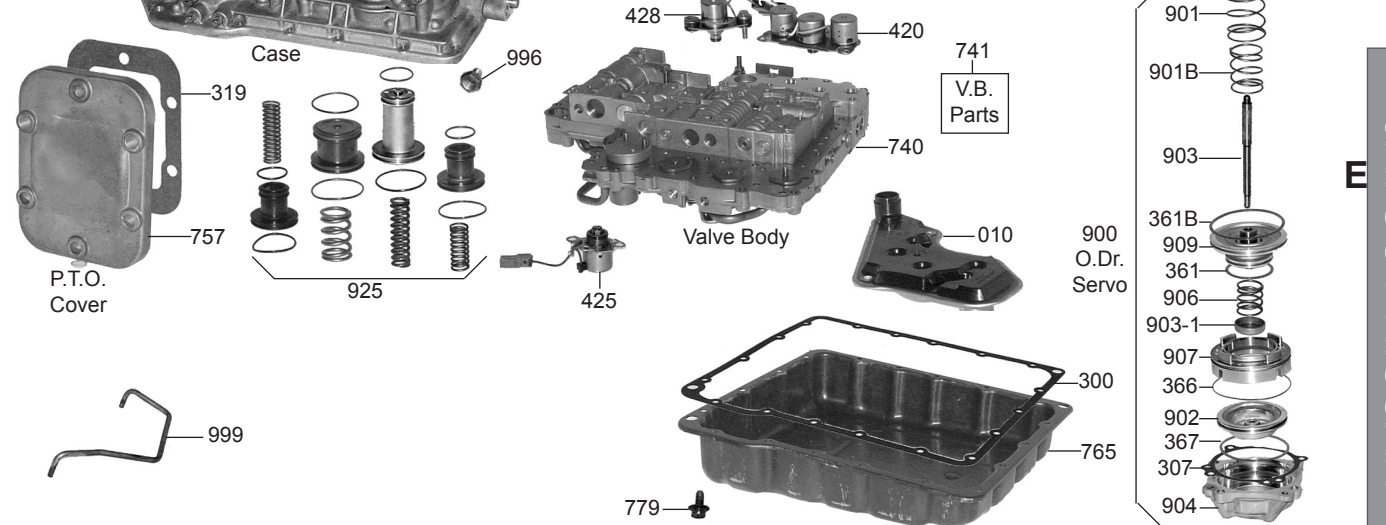
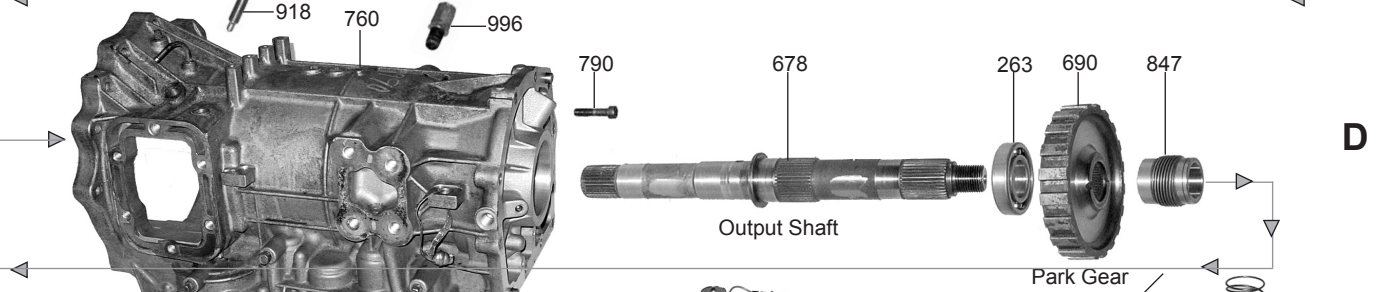
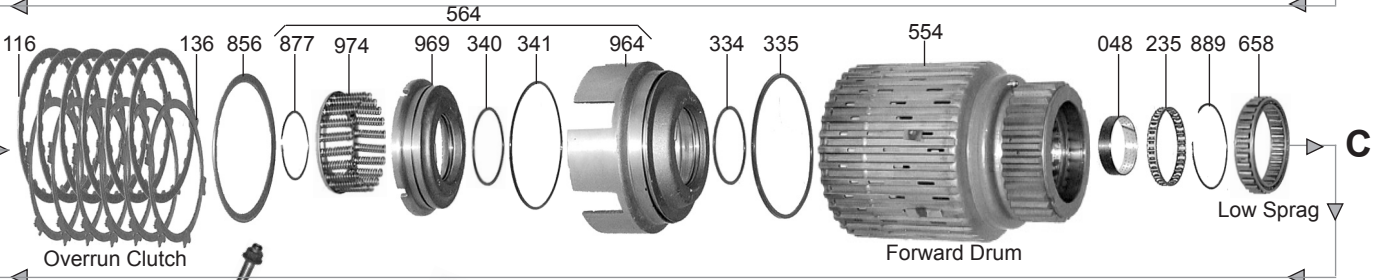
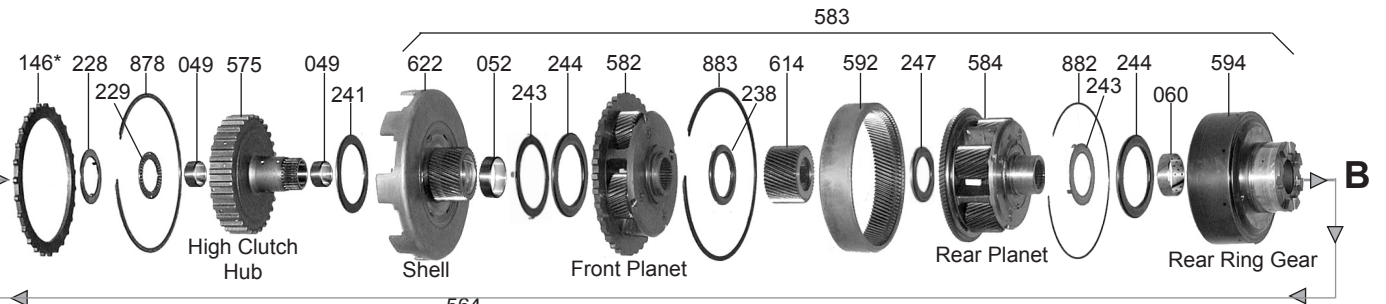
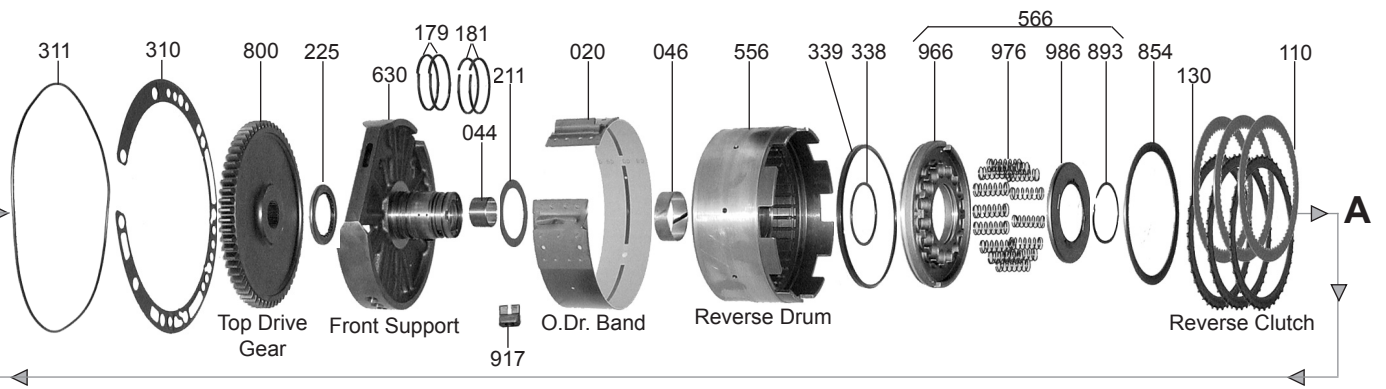


RWD 4 Speed



JATCO / NISSAN

RWD 4 Speed



JATCO / NISSAN

RL4R01A / RE4R01A / RE4R03A / RG4R01A / JR403E



RWD 4 Speed

PART #	PAPER & RUBBER KIT	QTY.	REFERENCE #
73000A	Paper & Rubber Kit, RL4R01A/RE4R01A (R4A-EL) (Nissan & Mazda)	1	
73000G	Paper & Rubber Kit, RG4R01A (JR403E)	1	
73000Q	Paper & Rubber Kit, RE4R03A	1	
73001C	Sub Kit, R4A-EL (Mazda)	1	

PART #	OVERHAUL KITS	QTY.	REFERENCE #
73002A	Overhaul Kit, RL4R01A/RE4R01A (Nissan) 1987-Up	1	
73002C	Overhaul Kit, R4A-EL (RL4R01A/RE4R01A) (Mazda) 1989-92	1	
73002G	Overhaul Kit, RG4R01A (JR403E)	1	
73002Q	Overhaul Kit, RE4R03A	1	
73002R	Overhaul Kit, RE5R01A	1	

PART #	MASTER L/STEEL KIT	QTY.	REFERENCE #
73004A	Master L/Steels Kit, RL4R01A/RE4R01A (Nissan & Infinity)(With .079" Forward Friction) 1987-97 (For 1998-Up Sell Six 23114A Also)	1	
73004B	Master L/Steels Kit, RL4R01A/RE4R01A (Nissan & Infinity)(With .063" Forward Friction) 1987-Up (With .076" Low/Reverse Friction)(If Customer Has .061" Sell 23114A Also)	1	
73004C	Master L/Steels Kit, R4A-EL (RL4R01A/RE4R01A) Mazda 1989-Up	1	
73004G	Master L/Steels Kit, RG4R01A/JR403E 1988-Up (Mazda Titan, Nissan Medium Size Truck, Isuzu Diesel NPR And W4, Mitsubishi 2 Ton Truck And Bus)	1	
73004QC	Master L/Steels Kit, RE4R03A (300ZX With Twin Turbo) 1990-Up	1	
73004QD	Master L/Steels Kit, RE4R03A (Infinity Q45) 1990-Up	1	

PART #	MASTER W/STEEL KIT	QTY.	REFERENCE #
73006A	Master W/Steels Kit, RL4R01A/RE4R01A (Nissan) 1987-8/1989 (Nissan 2WD Pickup, 2WD Pathfinder, 240SX, 2WD Van, Infinity M30)	1	
73006AA	Master W/Steels Kit, RL4R01A/RE4R01A (Nissan) 9/1989-1992 (Nissan 2WD Pickup, 2WD Pathfinder, 240SX, 2WD Van, Infinity M30)	1	
73006AB	Master W/Steels Kit, RE4R01A (Nissan) 1993-Up (Nissan 2WD Pickup, 2WD Pathfinder, 240SX, 2WD Van And Infinity M30)	1	
73006B	Master W/Steels Kit, RL4R01A/RE4R01A (Nissan) 1987-8/1989 (Nissan 4x4 Pickup, 4x4 Pathfinder, 300ZX Non Turbo, 4x4 Van, Infinity J30)	1	
73006BA	Master W/Steels Kit, RL4R01A/RE4R01A (Nissan) 8/1989-1992 (Nissan 4x4 Pickup, 4x4 Pathfinder, 300ZX Non Turbo, 4x4 Van, Infinity J30)	1	
73006BB	Master W/Steels Kit, RE4R01A (Nissan) 1993-Up (4x4 Pickup, 4x4 Pathfinder, 300ZX Non Turbo, 4x4 Van, Exterra 2000-Up, Frontier 1998-Up, Infinity J30 & QX4)	1	
73006C	Master W/Steels Kit, R4A-EL (RL4R01A/RE4R01A) Mazda 1989-12/1992 (Mazda MPV, Pickup, B2600, 929, RX7)	1	
73006CB	Master W/Steels Kit, R4A-EL (RE4R01A) Mazda 1993-Up (Mazda MPV, Pickup, B2600, 929, RX7)	1	
73006G	Master W/Steels Kit, RG4R01A/JR403A 1988-Up (Mazda Titan, Nissan Medium Size Truck, Isuzu Diesel NPR & W4, Mitsubishi 2 Ton Truck & Bus)	1	
73006QC	Master W/Steels Kit, RE4R03A (300ZX With Twin Turbo) 1990-Up	1	
73006QD	Master W/Steels Kit, RE4R03A (Infinity Q45) 1990-Up	1	

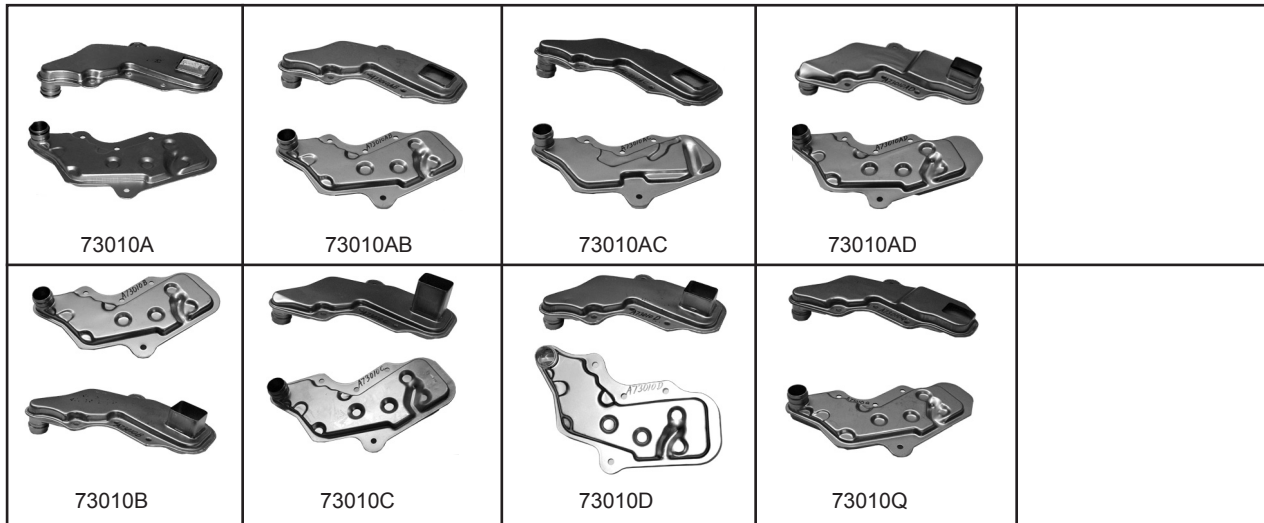
PART #	FILTER	QTY.	REFERENCE #
73010A	Filter, RL4R01A/RE4R01A (3/16" Tall Pick-up) (Mazda MPV Van & 2WD Pathfinder/Pickup With 6 Cylinder 1987-92) Customers 3/16" Tall Pick-up May Be Square, Ours Are Round (Same Filter)	1	31728-41X00
73010AB	Filter, RL4R01A/RE4R01A (Nissan 240SX) 1989-Up (Bottom Is Flat With 5/32" Tall Square Pick-Up Tube)	1	
73010B	Filter, RE4R01A/RG4R01A/JR403E (Nissan Non Turbo, Mazda R4A-EL, Infinity J30) (Also Nissan, Isuzu, Mazda, Mitsubishi Large Truck) (Bottom Is Flat With 15/16" Tall Square Pick-Up)(3/4" Tall Round Pick-Up) Customers 3/4" Pick-Up May Be Square, Ours Is Round, This Is How Sealed Power Makes Theirs Now (Same Filter)	1	
7010C	Filter, R4A-EL (Mazda RX7) 194-Up	1	
73010D	Filter, R4AEL (Mazda 29) 1990-U	1	
73010Q	Filter, RE4R03A (Nissan 300ZX With Turbo, Infinity Q45)	1	
73010R	Filter, RE5R01A (JR502E) 1991-Up	1	

JATCO / NISSAN



RL4R01A / RE4R01A / RE4R03A / RG4R01A / JR403E

RWD 4 Speed



PART #	BANDS	QTY.	REFERENCE #
73020	Band, RL4R01A/RE4R01A Overdrive (1 1/2" Wide) 1987-98	1	
73020A	Band, RE4R01A Overdrive (2 3/8" Wide) 1998-Up (Has A Groove In Lining Half The Way Around The Band & Has 3 Grooves In Lining The Other Halp Way Around The Band)(Uses Round Struts On Both Ends)	1	
73020BB	Band, RE4R01A Overdrive (Infinity QX4) (1 1/2" Wide) 1999-Up (Has 1 Groove In Lining 1/2 Of The Way Around The Band And Has 3 Grooves In The Lining The Other 1/2 Of The Way Around The Band)	1	
73020G	Band, RE4R03A/RG4R01A/JR403E Overdrive (2 3/8" Wide) 1989-Up	1	31630-51X02

PART #	BUSHINGS	QTY.	REFERENCE #
73030	Bushing Kit, RL4R01A/RE4R01A 1987-Up	1	
73030G	Bushing Kit, RG4R01A/RE4R03A/JR403E 19887-Up	1	
93034	Bushing Kit, RL4R01A/RE4R01A/RG4R01A/RE4R03A Pump Body	1	
73036	Bushing, RL4R01A/RE4R01A Stator (Front) (.845"ID)	1	
73036A	Bushing, RL4R01A/RE4R01A Stator (Front) (.945"ID)	1	
73036G	Bushing, RE4R03A/RG4R01A/JR403E Stator (Front) (1.048"ID) (1.146"OD)	1	
93037	Bushing, RL4R01A/RE4R01A Stator (Rear)	1	
73037Q	Bushing, RE4R03A Stator (Rear) (1.100"ID) (Also Fits RG4R01A/RE4R03A Front Sun Gear Shell)	1	
93046	Bushing, RL4R01A/RE4R01A Reverse Drum	1	
73046G	Bushing, RE4R03A/RG4R01A/JR403E Reverse Drum (2.016"ID) (2.133"OD)	1	
73048	Bushing, RL4R01A/RE4R01A/RG4R01A/JR403E Forward Drum	1	
93049	Bushing, RL4R01A/RE4R01A High Hub	2	
73049G	Bushing, RG4R01A/RE4R03A/JR403E High Hub	2	
93052	Bushing, RL4R01A/RE4R01A Front Sun Gear (Shell)	1	
73052G	Bushing, RG4R01A/RE4R03A Front Sun Gear (Shell)	1	
73060	Bushing, RL4R01A/RE4R01A Rear Ring Gear	1	
73060G	Bushing, RG4R01A/RE4R03A/JR403E Rear Ring Gear	1	
73062	Bushing, RE4R01A Front Output Shaft Bushing	1	
73064	Bushing, RL4R01A/RE4R01A/RE5R01A Case	2	
73064B	Bushing, RL4R01A/RE4R01A Case (Bronze) 1 Piece (Replaces 2 Case Bushings)	1	
73064G	Bushing, RG4R01A/RE4R03A/JR403E Case	2	
73066	Bushing, RL4R01A/RE4R01A Extension Housing	1	
73066G	Bushing, RG4R01A/RE4R03A/JR403E Extension Housing	1	

PART #	METAL CLAD SEALS	QTY.	REFERENCE #
93070	Seal, RL4R01A/RE4R01A/RE4R03A/RG4R01A/JR403E Pump (Converter Housing)(No Notch)	1	31344-21X00
93070A	Seal, RL4R01A/RE4R01A/RE4R03A/RG4R01A/JR403E Pump (Converter Housing)(With Notch)	1	
73072	Seal, RL4R01A/RE4R01A/RE4R03A Manual Lever	1	31375-41X00
73074	Seal, RE4R03A Extension Housing (300ZX Turbo 1990-91) (Infinity Q45 1990-93)	1	32136-01G10
73074A	Seal, RE4R01A Extension Housing (Infinity J30) 1993-Up	1	31375-41X07
73074B	Seal, RE4R01A Extension Housing (Mazda 929 1992-Up) (MPV 2WD 1994-Up)	1	R501-17-335A
53074B	Seal, RL4R01A/RE4R03A Extension Housing (240SX & Van 1987-89) (300ZX Without Turbo 1994-95) (Truck 2WD 1995-Up) (Infinity M30 1990-93)	1	31336-X8000

JATCO / NISSAN

RL4R01A / RE4R01A / RE4R03A / RG4R01A / JR403E



RWD 4 Speed

PART #	METAL CLAD SEALS (Continued)	QTY.	REFERENCE #
73074C	Seal, R4A-EL 4x4 Adapter Housing (Mazda)	1	
73074D	Seal, RL4R01A/RE4R01A Extension Housing (All Nissan Truck 1987-89) (Nissan 4x4 1190-Up)	1	31336-X6901
73074G	Seal, JR403E Extension Housing (Isuzu Truck 1988-Up)	1	
73074Q	Seal, RE4R03A Extension Housing (Infinity M30 & Q45 1994-Up)	1	31375-51X01
73089	Seal Retainer, RL4R01A/RE4R01A Front Seal Lock	1	

PART #	FRICTION CLUTCH	QTY.	REFERENCE #
93106B	Friction, RL4R01A/RE4R01A High Clutch (.063") 30 Teeth 1987-Up	4-5	
73106G	Friction, RG4R01A/RE4R03A/JR403E High Clutch (.062") 64 Teeth 1987-Up	6-7	
73108	Friction, RL4R01A/RE4R01A Forward Clutch (.079") 36 Teeth 1987-Up	5-7	
73108A	Friction, RL4R01A/RE4R01A Forward Clutch (.063") 36 Teeth 1987-Up	5-7	
73108G	Friction, RG4R01A/RE4R03A/JR403E Forward Clutch (.079") 50 Teeth 1987-Up	7-9	
93110A	Friction, RL4R01A/RE4R01A Reverse Clutch (.079") 34 Teeth 1987-92	2	
73110AA	Friction, RL4R01A/RE4R01A Reverse Clutch (.079") 30 Teeth 1993-Up	2	
73110G	Friction, RG4R01A/RE4R03A/JR403E Reverse Clutch (.075") 64 Teeth 1987-Up	3	
73114	Friction, RL4R01A/RE4R01A Low/Reverse Clutch (.076") 30 Teeth 1987-Up	4-7	
23114A	Friction, RE4R01A Low/Reverse Clutch (.061")	4-7	
73114G	Friction, RG4R01A/RE4R03A/JR403E Low/Reverse Clutch (.064") 33 Teeth 1987-Up	7-8	
73116	Friction, RL4R01A/RE4R01A Overrun Clutch (.079") 18 Teeth 1987-Up	3	
73116G	Friction, RG4R01A/RE4R03A/JR403E Overrun Clutch (.079") 20 Teeth 1987-Up	5	
73116GA	Friction, RG4R01A/JR403E Overrun Clutch (.060") 64 Teeth 1995-Up	4-6	
73116Q	Friction, RE4R03A (Nissan 300ZX With Turbo) Overrun Clutch (.062") 20 Teeth 1987-Up	4	
73119A	Friction Module, RL4R01A/RE4R01A (Fits 73004A)	1	
73119B	Friction Module, RL4R01A/RE4R01A (Fits 73004B)	1	
73119QD	Friction Module, RE4R03A/RG4R01A/JR403E (Fits 73004G & 73004QD)	1	

PART #	STEEL CLUTCH	QTY.	REFERENCE #
73126	Steel, RL4R01A/RE4R01A High Clutch (.067") 27 Teeth 1987-E89	4-7	
93126B	Steel, RL4R01A/RE4R01A High Clutch (.118") 27 Teeth 1987-Up	3	
93126BA	Steel, RL4R01A/RE4R01A High Clutch (.079") 27 Teeth L1989-Up	3-5	31536-41X03
73126G	Steel, RG4R01A/JR403E High Clutch (.118") 40 Teeth	6	
73126Q	Steel, RE4R03A High Clutch (.079") 40 Teeth (Also Fits RE4R03A/RG4R01A/JR403E Reverse Clutch)	6-10	
73128	Steel, RL4R01A/RE4R01A Forward Clutch (.071") 24 Teeth 1/1995-Up	5-7	31536-AA010
73128A	Steel, RL4R01A/RE4R01A Forward Clutch (.079") 24 Teeth 1987-1/1995	5-7	31536-41X12
73128G	Steel, RE4R03A/RG4R01A/JR403E Forward Clutch (.079") 36 Teeth (5.360"ID)	7-14	
93130A	Steel, RL4R01A/RE4R01A Reverse Clutch (.079") 30 Teeth 1987-92	2	
73130B	Steel, RL4R01A/RE4R01A Reverse Clutch (.079") 30 Teeth (5.090"ID) 1993-Up	2	
73130BA	Steel, RE4R01A Reverse Clutch (.110")(30 Teeth)(5.090"ID) 2002-Up	2	
73130G	Steel, RE4R03A/RG4R01A/JR403E Reverse Clutch (.079") 40 Teeth (Use 73126Q)	3	
73134	Steel, RL4R01A/RE4R01A Low/Reverse Clutch (.079") 14 Teeth 1989-Up	4-7	31666-AA050
73134A	Steel, RL4R01A/RE4R01A Low/Reverse Clutch (.051") 14 Teeth 1989-Up	AR	
73134G	Steel, RE4R03A/RG4R01A/JR403E Low/Reverse Clutch (.079") 11 Teeth	6-9	
73136	Steel, RL4R01A/RE4R01A Overrun Clutch (.079") 6 Teeth (4.700"ID)	3-5	
73136G	Steel, RE4R03A/RG4R01A/JR403E Overrun Clutch (.079") 6 Teeth (5.360"ID)	5-7	31532-51X02
73136GA	Steel, RG4R01A/JR403E Overrun Clutch (.118") 40 Teeth (5.200"ID) 1995-Up	4-6	

PART #	CLUTCH PRESSURE PLATES	QTY.	REFERENCE #
73146A	Pressure Plate, RL4R01A/RE4R01A High Clutch (3.6mm) (27 Teeth)	1	
73146AA	Pressure Plate, RL4R01A/RE4R01A High Clutch (3.8mm) (27 Teeth)	1	
73146AB	Pressure Plate, RL4R01A/RE4R01A High Clutch (4.0mm) (27 Teeth)	1	
73146AC	Pressure Plate, RL4R01A/RE4R01A High Clutch (4.2mm) (27 Teeth)	1	
73146AD	Pressure Plate, RL4R01A/RE4R01A High Clutch (4.4mm) (27 Teeth)	1	
73146AE	Pressure Plate, RL4R01A/RE4R01A High Clutch (4.6mm) (27 Teeth)	1	
73146AG	Pressure Plate, RL4R01A/RE4R01A High Clutch (4.8mm) (27 Teeth)	1	
73146AH	Pressure Plate, RL4R01A/RE4R01A High Clutch (5.0mm) (27 Teeth)	1	
73146G	Pressure Plate, RE4R03A/RG4R01A/JR403E High Clutch (4.4mm) (40 Teeth)	1	
	(Also Fits Pressure Plate, RE4R03A/RG4R01A/JR403E Reverse Clutch)		
73146GA	Pressure Plate, RE4R03A/RG4R01A/JR403E High Clutch (4.6mm) (40 Teeth)	1	
	(Also Fits Pressure Plate, RE4R03A/RG4R01A/JR403E Reverse Clutch)		
73146GB	Pressure Plate, RE4R03A/RG4R01A/JR403E High Clutch (4.8mm) (40 Teeth)	1	
	(Also Fits Pressure Plate, RE4R03A/RG4R01A/JR403E Reverse Clutch)		
73147	Pressure Plate, RL4R01A/RE4R01A High Clutch (Bottom)	1	
73148A	Pressure Plate, RL4R01A/RE4R01A Forward Clutch (8.0mm) (24 Teeth)	1	

JATCO / NISSAN



RL4R01A / RE4R01A / RE4R03A / RG4R01A / JR403E

RWD 4 Speed

73148AA Pressure Plate, RL4R01A/RE4R01A Forward Clutch (8.2mm) (24 Teeth)	1
73148AB Pressure Plate, RL4R01A/RE4R01A Forward Clutch (8.4mm) (24 Teeth)	1
73148AC Pressure Plate, RL4R01A/RE4R01A Forward Clutch (8.6mm) (24 Teeth)	1
73148AD Pressure Plate, RL4R01A/RE4R01A Forward Clutch (8.8mm) (24 Teeth)	1
73148AE Pressure Plate, RL4R01A/RE4R01A Forward Clutch (9.0mm) (24 Teeth)	1
73148AG Pressure Plate, RL4R01A/RE4R01A Forward Clutch (9.2mm) (24 Teeth)	1
73148AH Pressure Plate, RL4R01A/RE4R01A Forward Clutch (4.3mm) (24 Teeth)	1
73148G Pressure Plate, RE4R03A/RG4R01A/JR403E Forward Clutch (4.2mm) (36 Teeth)	1
73148GA Pressure Plate, RE4R03A/RG4R01A/JR403E Forward Clutch (4.4mm) (36 Teeth)	1
73148GB Pressure Plate, RE4R03A/RG4R01A/JR403E Forward Clutch (4.6mm) (36 Teeth)	1
73148GC Pressure Plate, RE4R03A/RG4R01A/JR403E Forward Clutch (4.8mm) (36 Teeth)	1
73148GD Pressure Plate, RE4R03A/RG4R01A/JR403E Forward Clutch (5.1mm) (36 Teeth)	1
73148GE Pressure Plate, RE4R03A/RG4R01A/JR403E Forward Clutch (5.3mm) (36 Teeth)	1
93150 Pressure Plate, RL4R01A/RE4R01A Reverse Clutch (4.6mm) (30 Teeth) (5.345"ID) 1987-92.....	1
73150A Pressure Plate, RL4R01A/RE4R01A Reverse Clutch (4.6mm) (30 Teeth) (5.080"ID).....	1
93150A Pressure Plate, RL4R01A/RE4R01A Reverse Clutch (4.8mm) (30 Teeth) (5.345"ID) 1987-92.....	1
73150AA Pressure Plate, RL4R01A/RE4R01A Reverse Clutch (4.8mm) (30 Teeth) (5.080"ID).....	1
73150AAA Pressure Plate, RL4R01A/RE4R01A Reverse Clutch (4.9mm) (30 Teeth) (5.080"ID).....	1
73150AB Pressure Plate, RL4R01A/RE4R01A Reverse Clutch (5.0mm) (30 Teeth) (5.080"ID).....	1
73150ABA Pressure Plate, RL4R01A/RE4R01A Reverse Clutch (5.1mm) (30 Teeth) (5.080"ID).....	1
73150AC Pressure Plate, RL4R01A/RE4R01A Reverse Clutch (5.2mm) (30 Teeth) (5.080"ID).....	1
73150AD Pressure Plate, RL4R01A/RE4R01A Reverse Clutch (5.4mm) (30 Teeth) (5.080"ID).....	1
73150AE Pressure Plate, RL4R01A/RE4R01A Reverse Clutch (5.6mm) (30 Teeth) (5.080"ID).....	1
73150AG Pressure Plate, RL4R01A/RE4R01A Reverse Clutch (5.8mm) (30 Teeth) (5.080"ID).....	1
93150B Pressure Plate, RL4R01A/RE4R01A Reverse Clutch (5.0mm) (30 Teeth) (5.345"ID) 1987-92.....	1
93150C Pressure Plate, RL4R01A/RE4R01A Reverse Clutch (5.2mm) (30 Teeth) (5.345"ID) 1987-92.....	1
93150D Pressure Plate, RL4R01A/RE4R01A Reverse Clutch (5.4mm) (30 Teeth) (5.345"ID) 1987-92.....	1
73150G Pressure Plate, RE4R03A/RG4R01A/JR403E Reverse Clutch (40 Teeth) (Use 73146G).....	1
73154A Pressure Plate, RL4R01A/RE4R01A Low/Reverse Clutch (8.6mm) (14 Teeth)	1
73154AA Pressure Plate, RL4R01A/RE4R01A Low/Reverse Clutch (8.8mm) (14 Teeth)	1
73154AB Pressure Plate, RL4R01A/RE4R01A Low/Reverse Clutch (9.0mm) (14 Teeth)	1
73154AC Pressure Plate, RL4R01A/RE4R01A Low/Reverse Clutch (9.2mm) (14 Teeth)	1
73154AD Pressure Plate, RL4R01A/RE4R01A Low/Reverse Clutch (9.4mm) (14 Teeth)	1
73154AE Pressure Plate, RL4R01A/RE4R01A Low/Reverse Clutch (9.6mm) (14 Teeth)	1
73154AG Pressure Plate, RL4R01A/RE4R01A Low/Reverse Clutch (7.3mm) (14 Teeth)	1
73154G Pressure Plate, RE4R03A/RG4R01A/JR403E Low/Reverse Clutch (4.6mm) (11 Teeth)	2
73154GA Pressure Plate, RE4R03A/RG4R01A/JR403E Low/Reverse Clutch (4.8mm) (11 Teeth)	2
73154GB Pressure Plate, RE4R03A/RG4R01A/JR403E Low/Reverse Clutch (5.0mm) (11 Teeth)	2
73156A Pressure Plate, RL4R01A/RE4R01A Overrun Clutch (4.0mm) (6 Teeth)	1
73156AA Pressure Plate, RL4R01A/RE4R01A Overrun Clutch (4.2mm) (6 Teeth)	1
73156AB Pressure Plate, RL4R01A/RE4R01A Overrun Clutch (4.4mm) (6 Teeth)	1
73156AC Pressure Plate, RL4R01A/RE4R01A Overrun Clutch (4.6mm) (6 Teeth)	1
73156AD Pressure Plate, RL4R01A/RE4R01A Overrun Clutch (4.8mm) (6 Teeth)	1
73156AE Pressure Plate, RL4R01A/RE4R01A Overrun Clutch (5.0mm) (6 Teeth)	1
73156AG Pressure Plate, RL4R01A/RE4R01A Overrun Clutch (5.2mm) (6 Teeth)	1
73156G Pressure Plate, RE4R03A/RG4R01A/JR403E Overrun Clutch (4.0mm) (6 Teeth).....	1
73156GA Pressure Plate, RE4R03A/RG4R01A/JR403E Overrun Clutch (4.2mm) (6 Teeth).....	1
73156GB Pressure Plate, RE4R03A/RG4R01A/JR403E Overrun Clutch (4.4mm) (6 Teeth).....	1
73156GE Pressure Plate, RG4R01A/JR403E Overrun Clutch (4.5mm) (40 Teeth) 1995-Up.....	1
73156GG Pressure Plate, RG4R01A/JR403E Overrun Clutch (4.8mm) (40 Teeth) 1995-Up.....	1
73156GJ Pressure Plate, RG4R01A/JR403E Overrun Clutch (4.9mm) (40 Teeth) 1995-Up.....	1

PART #	VALVE BODY KITS	QTY.	REFERENCE #
S73165A Shift Correction Package, RE4R01A/JR403E 1989-00 (Superior)	1	KRE4R01A
T73165A Shift Kit, RE4R01A(R4A-EL/R4AX-EL)/JR403E (Transgo).....	1	SK ® RE4R01A
S73165G Shift Correction Package, RG4R01A(JR403E) 1988-Up (Superior) (For Regular, Heavy Duty & Extreme Use).....	1	

PART #	OIL SEALING RINGS	QTY.	REFERENCE #
73175 Ring Kit, RL4R01A/RE4R01A/RE4R03A/RG4R01A/JR403E 1987-Up.....	1	
73176 Ring, RL4R01A/RE4R01A/RE4R03A/RG4R01A/JR403E Pump Slide (Metal)	1	
73179T Ring, RL4R01A/RE4R01A/RE4R03A/RG4R01A/JR403E Reverse Clutch (Teflon)	2	
93180T Ring, RL4R01A/RE4R01A/RE4R03A/RG4R01A/JR403E High Clutch (Teflon)	2	
73181T Ring, RL4R01A/RE4R01A/RE4R03A/RG4R01A/JR403E Forward & Overrun	4	
73189T Ring, RL4R01A Governor (Teflon)	3	

JATCO / NISSAN

RL4R01A / RE4R01A / RE4R03A / RG4R01A / JR403E



RWD 4 Speed

PART #	WASHERS & BEARINGS	QTY.	REFERENCE #
73201A	Bearing Kit, RL4R01A/RE4R01A (Thrust Bearings)	1	
73201G	Bearing Kit, RG4R01A/JR403E (Thrust Bearings)	1	
93211	Washer, RL4R01A/RE4R01A/RG4R01A/RE4R03A/JR403E Stator To Reverse Drum (.028") Plastic	1	31528-21X00
93211A	Washer, RL4R01A/RE4R01A/RG4R01A/RE4R03A/JR403E Stator To Reverse Drum (.035") Plastic	1	31528-21X01
93211B	Washer, RL4R01A/RE4R01A/RG4R01A/RE4R03A/JR403E Stator To Reverse Drum (.043") Plastic	1	31528-21X02
93211C	Washer, RL4R01A/RE4R01A/RG4R01A/RE4R03A/JR403E Stator To Reverse Drum (.051") Plastic	1	31528-21X03
93211D	Washer, RL4R01A/RE4R01A/RG4R01A/RE4R03A/JR403E Stator To Reverse Drum (.059") Plastic	1	31528-21X04
93211E	Washer, RL4R01A/RE4R01A/RG4R01A/RE4R03A/JR403E Stator To Reverse Drum (.067") Plastic	1	31528-21X05
93211F	Washer, RL4R01A/RE4R01A/RG4R01A/RE4R03A/JR403E Stator To Reverse Drum (.075") Plastic	1	
73211G	Ball Bearing, RG4R01A/JR403E Stator To PTO Gear	1	
73220	Bearing W/Race, RL4R01A/RE4R01A/RE4R03A/RG4R01A/JR403E Stator To High Drum	1	
93221	Race, RL4R01A/RE4R01A/RG4R01A/JR403E Stator To High Drum (.031") 3 Tab (Metal)	1	31429-21X00
93221A	Race, RL4R01A/RE4R01A/RG4R01A/JR403E Stator To High Drum (.039") 3 Tab (Metal)	1	31429-21X01
93221AA	Race, RL4R01A/RE4R01A/RG4R01A/JR403E Stator To High Drum (.047") 3 Tab (Metal)	1	31429-21X02
93221AB	Race, RL4R01A/RE4R01A/RG4R01A/JR403E Stator To High Drum (.055") 3 Tab (Metal)	1	31429-21X03
93221AC	Race, RL4R01A/RE4R01A/RG4R01A/JR403E Stator To High Drum (.063") 3 Tab (Metal)	1	31429-21X04
93221AD	Race, RL4R01A/RE4R01A/RG4R01A/JR403E Stator To High Drum (.071") 3 Tab (Metal)	1	31429-21X05
93221AE	Race, RL4R01A/RE4R01A/RG4R01A/JR403E Stator To High Drum (.079") 3 Tab (Metal)	1	31429-21X06
73225G	Bearing W/Race, RG4R01A/JR403E PTO Drive Gear To Front Support	1	
73228	Race, RL4R01A/RE4R01A/RE4R03A/RG4R01A/JR403E High Drum To Hub (Metal With 3 Inner Tabs)	1	31439-21X00
73229	Bearing W/Race, RL4R01A/RE4R01A/RE4R03A/RG4R01A/JR403E High Drum To Hub (Use 53232)	1	31438-X0100
73229A	Bearing W/Races, RL4R01A/RE4R01A High Hub To High Drum (.150" Thick)	1	
53232	Bearing W/Race, RL4R01A/RE4R01A/RE4R03A/RG4R01A/JR403E High Drum To Hub (.110" Thick) (Also Fits RL4R01A/RE4R01A High Hub To Sun Shell)	1-2	31438-X0101
73232	Bearing W/Race, RL4R01A/RE4R01A/RE4R03A/RG4R01A/JR403E Forward Drum To Hub	1	
73232B	Shim, RL4R01A/RE4R01A/RE4R03A Forward Drum To Hub (Update Replaces Bearing W/Race)	1	31407-41X05
73235	Caged Needle Bearing, RL4R01A/RE4R01A/RE4R03A/RG4R01A/JR403E Forward Drum (Rear)	1	31455-41X02
73238	Bearing W/Races, RL4R01A/RE4R01A Front Planet To Rear Sun Gear	1	31407-41X08
73238G	Bearing W/Race, RG4R01A/JR403E Front Planet To Rear Sun Gear	1	31407-71X03
73238Q	Bearing W/Race, RE4R03A Front Planet To Rear Sun Gear (Use 73247)	1	31455-21X00
73241	Bearing W/Race, RL4R01A/RE4R01A High Hub To Sun Shell (Use 53232)	1	
73241G	Bearing W/Race, RE4R03A/RG4R01A/JR403E High Hub To Sun Shell (Also Fits Shell To Front Planet)	1-2	31407-51X05
73243	Race, RL4R01A/RE4R01A Shell To Front Planet & Rear Planet To Ring Gear (4 Tab)	2	31464-21X00
73243B	Race, RE4R01A Shell To Front Planet (5 Tab) 1998-Up	1	
73243G	Race, RE4R03A/RG4R01A/JR403E Shell To Front Planet (3 3/4"OD) 4 Outer Tabs	1	31435-51X00
73243GA	Race, RG4R01A/JR403E Rear Planet To Rear Ring Gear (4 Outer Tabs)	1	31435-41X00
73243QA	Race, RE4R03A Rear Planet To Rear Ring Gear (2 3/8"OD) 4 Outer Tabs	1	31435-51X01
73244	Bearing W/Race, RL4R01A/RE4R01A Shell To Front Planet & Rear Planet To Rear Ring Gear	2	31435-21X00
73244G	Bearing W/Race, RE4R03A/RG4R01A/JR403E Shell To Front Planet (Use 73241G)	1	31407-51X01
73244GA	Bearing W/Race, RG4R01A/JR403E Rear Planet To Rear Ring Gear	1	
73244Q	Bearing W/Race, RE4R03A Rear Planet To Rear Ring Gear	1	31407-51X03
73247	Bearing W/Race, RL4R01A/RE4R01A/RE4R03A Rear Sun Gear To Rear Planet (Also Fits RE4R03A Front Planet To Rear Sun Gear)	1-2	
73247G	Bearing W/Race, RG4R01A/JR403E Rear Sun Gear To Rear Planet	1	
73254	Washer, RL4R01A/RE4R01A Rear Planet Ring Gear To Clutch Hub (3 13/16"OD) Plastic	1	31508-41X00
73254G	Washer, RE4R03A/RG4R01A/JR403E Rear Planet Ring Gear To Clutch Hub (4 5/16"OD) Plastic	1	31508-51X08
73260	Bearing W/Race, RL4R01A/RE4R01A Overrun Hub To Rear Support	1	31407-41X04
73260A	Bearing W/2 Races, RL4R01A/RE4R01A Overrun Hub To Rear Support	1	31407-41X11
73260G	Bearing W/Race, RE4R03A/RG4R01A/JR403E Overrun Hub To Rear Support	1	31407-51X02
73263	Bearing W/Race, RL4R01A/RE4R01A Case To Park Gear	1	31407-41X06
73263G	Ball Bearing, RG4R01A/JR403E Case To Output Shaft (1.573"ID) (3.148"OD)	1	
73263Q	Bearing W/Race, RE4R03A Case To Park Gear	1	31407-41X11
73271G	Ball Bearing, RG4R01A/JR403E Output Shaft To Extension Housing (1.370"ID) (2.834"OD)	1	
73286	Washer, RL4R01A/RE4R01A Low Sprag To Snap Ring	1	

JATCO / NISSAN



RL4R01A / RE4R01A / RE4R03A / RG4R01A / JR403E

RWD 4 Speed

PART #	GASKETS & RUBBER COMPONENTS	QTY.	REFERENCE #
73300	Gasket, RL4R01A/RE4R01A/RE5R01A Bottom Pan.....	1	31397-41X01
73300G	Gasket, RE4R03A/RG4R01A/JR403E Bottom Pan.....	1	
73305A	Gasket, RL4R01A/RE4R01A Extension Housing	1	31338-41X01
73310	Gasket, RL4R01A/RE4R01A Pump	1	31366-41X01
73310A	Gasket, RE4R01A/RE5R01A Pump (With Input Speed Sensor Cut Out).....	1	31366-51X00
73310G	Gasket, RG4R01A/JR403E Pump	1	
73310Q	Gasket, RE4R03A Pump.....	1	
73311	O-Ring, RL4R01A/RE4R01A/RE4R03A/RG4R01A/JR403E Pump.....	1	
73320A	Gasket, RE4R01A Valve Body (Upper) 1987-03 (All Except R4AEL Mazda RX7,929 & RE4R03A/RE5R01A).....	1	
73321A	Gasket, RE4R01A Valve Body (Lower) 1987-03 (All Except R4AEL Mazda RX7,929 & RE4R03A/RE5R01A).....	1	
53352K	O-Ring Kit, RL4R01A/RE4R01A Accumulator	1	
44371A	O-Ring, RL4R01A/RE4R01A Filler Tube.....	1	6264902
73379	O-Ring, RE4R01A Filter	1	
73386G	Seal, RG4R01A/JR403E Front Support (Reverse Drum Support) To Case (Takes 4 PerTransmission).....	4	

PART #	TECHNICAL MANUALS	QTY.	REFERENCE #
73400	Technical Manual, RE4R01A.....	1	83-RE4R01ATM
73400A	Technical Manual, RL4R01A.....	1	
73400G	Technical Manual, RG4R01A/JR403E Electromatic	1	

PART #	ELECTRICAL COMPONENTS	QTY.	REFERENCE #
73410A	Switch, RE4R01A Neutral Safety (Pathfinder/Pick-Up) 1988-89	1	31918-41X03
73410AA	Switch, RE4R01A Neutral Safety (Van) 1988-89	1	31918-41X07
73410AB	Switch, RE4R01A Neutral Safety (240SX) 1988-89.....	1	31918-41X10
73410AC	Switch, RE4R01A Neutral Safety (Pathfinder/Pick-Up 4 Cylinder) 1990-Up.....	1	31918-41X17
73410AD	Switch, RE4R01A Neutral Safety (Pathfinder/Pick-Up 6 Cylinder) 1990-Up.....	1	31918-41X22
73410AE	Switch, RE4R01A Neutral Safety (300ZX Without Turbo) 1990-93	1	31918-41X24
73410AG	Switch, RE4R01A Neutral Safety (300ZX Without Turbo) 1994-Up.....	1	31918-41X73
73410GA	Switch, JR403E Neutral Safety (18 1/2" Long Wire Harness With 1 Nine Prong Connector).....	1	
73410GB	Switch, JR403E Neutral Safety (19 3/4" Long Wire Harness With 1 Two Prong Connector &Switch, JR403E Neutral Safety (19 3/4" Long Wire Harness With 1 Two Prong Connector &	1	
73410Q	Switch, RE4R03A Neutral Safety (300ZX With Turbo) 1990-93	1	31918-51X16
73410QA	Switch, RE4R03A Neutral Safety (300ZX With Turbo) 1994-Up.....	1	31918-51X16
73420A	Solenoid Assembly, RE4R01A/RE4R03A/JR403E (4 Solenoids, 2 Insulated Connectors,1 Ground Wire) 5/1988-Up.....	1	31940-41X04
73420AA	Solenoid Assembly, RE4R01A (3 Solenoid, 2 Insulated Connectors, 1 Ground Wire)8/1987-4/1988	1	31940-41X03
73420Q	Solenoid Assembly, RE4R03A 5/1988-Up	1	31940-41X09
73425	Solenoid, RE4R01A/RG4R01A/RE4R03A/JR403E/R4A-EL (Lock-Up)1988-Up.....	1	31940-41X10
73427A	Solenoid, RL4R01A Lock-up & Overdrive Cancel 1987-Up.....	2	
73436A	Sensor, RE4R01A Output Speed (Pathfinder/Pick-Up) 1988-89	1	31935-42X09
73436AA	Sensor, RE4R01A Output Speed (Van) 1988-89	1	31935-41X10
73436AB	Sensor, RE4R01A Output Speed (240SX) 1988-89.....	1	31935-41X07
73436AC	Sensor, RE4R01A Output Speed (2WD) 1990-Up.....	1	31935-42X23
73436AD	Sensor, RE4R01A Output Speed (4x4) 1990-Up	1	31935-42X63
73436AE	Sensor, RE4R01A Output Speed (240SX) 1990-Up	1	31935-41X20
73436AG	Sensor, RE4R01A Output Speed (300ZX Without Turbo) 1990-Up.....	1	31935-42X19
73436G	Sensor, JR403E Output Speed (With 6" Wire Harness With 2 Prong Connector).....	1	
73436Q	Sensor, RE4R03A Output Speed (Q45, Mazda, 300ZX With Turbo) 1990-Up	1	31935-51X14
73438A	Sensor, RE4R01A/RE4R03A Input Speed (With 13" Wire Harness)	1	
73438Q	Sensor, RE4R01A/RE4R03A Input Speed (With 9" Wire Harness)	1	
73445G	Wire Harness, JR403E Internal/External (20" Long With 2 Two Wire Connectors And 1 OneWire Connector & 1 Temperature Switch On The Internal Side).....	1	

PART #	HARD PARTS	QTY.	REFERENCE #
73500AA	Pump Complete, RL4R01A/RE4R01A (With 2 Lugs On Rotor) Stator Front Bushing .945"ID(No Switch On Back) (3 1/2" From End Of Stator Shaft To The Step At The Base).....	1	
73500AB	Pump Complete, RE4R01A (With 2 Lugs On Rotor) Stator Front Bushing .945"ID(With Switch On Back)	1	
73500AE	Pump Complete, RE4R01A (With 2 Lugs On Rotor) Stator Front Bushing .845"ID.....	1	
73500G	Pump Complete, REG4R01A/JR403E (With Mill Flat Rotor).....	1	

JATCO / NISSAN

RL4R01A / RE4R01A / RE4R03A / RG4R01A / JR403E



RWD 4 Speed

PART #	HARD PARTS (Continued)	QTY.	REFERENCE #
73500Q	Pump Complete, RE4R03A (With Mill Flat Rotor) (Stator Front Bushing 1.045"ID, With Hole For Switch)	1	
73510AA	Pump Body, RL4R01A/RE4R01A (With 2 Lugs On Rotor) Fits Stator Without Electric Switch On Back	1	
73510AB	Pump Body, RE4R01A (With 2 Lugs On Rotor) Fits Stator With Electric Switch On Back	1	
73510AE	Pump Body, RE4R01A (With 2 lugs On Rotor) Fits Stator With .845"ID Front Bushing	1	
73510G	Pump Body, RL4R01A/RE4R01A/RG4R01A/JR403E (With Mill Flat Rotor) Fits Stator Without Switch On Back	1	
73510Q	Pump Body, RE4R03A (With Mill Flat Rotor)	1	
73511G	Ring, RG4R01A/JR403E Outer Pump Body (Steel With 10 Bolts)	1	
73520AA	Stator, RL4R01A/RE4R01A (.945"ID Front Bushing) No Switch On Back (3 1/2" From Front End Of Shaft To The Step At The Base)	1	
73520AAA	Stator, RL4R01A/RE4R01A (.945"ID Front Bushing) No Switch On Back (3 5/8" From Front End Of Shaft To The Step At The Base)	1	
73520AB	Stator, RE4R01A (.945"ID Front Bushing) With Switch On Back (3 1/2" From Front End Of Shaft To The Step At The Back)	1	
73520AC	Stator, RE4R01A (.945"ID Front Bushing) With Switch On Back(3 5/8" From Front End Of Shaft To The Step At The Back)	1	
73520AE	Stator, RE4R01A (.845"ID Front Bushing)	1	
73520G	Stator, RG4R01A/JR403E	1	
73520Q	Stator, RE4R03A (1.045"ID Front Bushing) With Hole For Switch (4 3/16" Long Shaft)	1	
73520QA	Stator, RE4R03A (1.045"ID Front Bushing) No Hole For Switch (3 3/16" Long Shaft)	1	

PART #	PUMP COMPONENTS	QTY.	REFERENCE #
73532	Rotor, RL4R01A/RE4R01A Pump (With 2 Lugs)	1	
73532G	Rotor, RG4R01A/JR403E Pump (With Mill Flats)	1	
73532Q	Rotor, RE4R03A Pump (With Mill Flats)	1	
73533	Vane, RL4R01A/RE4R01A/RE4R03A/RG4R01A/JR403E Pump	13	
73534	Slide, RL4R01A/RE4R01A Pump	1	
73534G	Slide, RE4R03A/RG4R01A/JR403E Pump	1	

PART #	HARD PARTS (Continued)	QTY.	REFERENCE #
73554	Drum, RL4R01A/RE4R01A Forward Clutch (7 7/8" Tall) 5-7 Clutch (Less Sprag) Low/Reverse Clutch Hub Spline Length Is 1.765" Tall	1	
73554A	Drum, RE4R01A Forward Clutch (7 7/8" Tall) 5-7 Clutch (Less Sprag) Low/Reverse Clutch Hub Spline Length Is 1.645" Tall	1	
73554B	Drum, RE4R01A Forward (7 7/8" Tall) 5-7 Clutch (less Sprag) Low/Reverse Clutch Hub Spline Length Is 1.645: Tall (Uses 34 Element Sprag)	1	
73554G	Drum, RG4R01A/JR403E Forward Clutch (9 1/8" Tall) Less Sprag (With Bushing #048 Inside)	1	
73554GA	Drum, RG4R01A/JR403E Forward Clutch (9 1/8" Tall) Less Sprag (With Bearing #048 Inside) 3.850"ID Sprag Outer Race	1	
73554GB	Drum, RG4R01A/JR403E Forward Clutch (9" Tall) Less Sprag (With Bearing #048 Inside) 3.720"ID Sprag Outer Race	1	
73554Q	Drum, RE4R03A Forward Clutch (8 3/4" Tall) Less Sprag	1	
93555	Drum, RL4R01A/RE4R01A High (27 Teeth Steels) 5 3/4"OD (With 34 Teeth Reverse Hub) 1987-92	1	31541-21X05
73555A	Drum, RL4R01A/RE4R01A High (27 Teeth Steels) 5 3/4"OD (With 30 Teeth Reverse Hub) (2.100" Tall) 1987-Up	1	
73555B	Drum, RE4R01A High (27 Teeth) 5 3/4"OD (With 30 Teeth Reverse Hub)(2.515" Tall) 1998-Up	1	
73555G	Drum, RG4R01A/JR403E High (6 Clutch) 6 5/8"OD	1	
73555Q	Drum, RE4R03A High (6 Clutch) 6 5/8"OD	1	
73555QA	Drum, RE4R03A High (7 Clutch) 6 5/8"OD	1	
73556	Drum, RL4R01A/RE4R01A Reverse (2 Clutch) 6 5/8"OD (8 Drive Lugs)	1	
73556A	Drum, RL4R01A/RE4R01A Reverse (2 Clutch) 6 5/8"OD (12 Drive Lugs)	1	
73556G	Drum, RE4R03A/RG4R01A/JR403E Reverse (3 Clutch) 7 1/8"OD	1	
73564	Piston Kit, RL4R01A/RE4R01A Forward Clutch	1	
73564G	Piston Kit, RG4R01A/JR403E Forward Clutch	1	
73564Q	Piston Kit, RE4R03A Forward Clutch	1	
73565	Piston Kit, RL4R01A/RE4R01A High Drum (With 16 Springs) 1987-Up	1	
73565B	Piston Kit, RE4R01A High Drum (With 10 Springs) 1998-Up	1	
73565G	Piston Kit, RG4R01A/JR403E High Clutch	1	
73565Q	Piston Kit, RE4R03A High Clutch	1	
73566	Piston Kit, RL4R01A/RE4R01A Reverse Clutch (With 16 Return Springs) 1987-Up	1	
73566A	Piston Kit, RL4R01A/RE4R01A Reverse Clutch (With 20 Finger Diaphragm Return Spring) 98-Up	1	
73566G	Piston Kit, RG4R01A/JR403E Reverse Clutch	1	
73566Q	Piston Kit, RE4R03A Reverse Clutch	1	

JATCO / NISSAN



RL4R01A / RE4R01A / RE4R03A / RG4R01A / JR403E

RWD 4 Speed

73567.....	Piston Kit, RL4R01A/RE4R01A Low/Reverse Clutch	1	
73567G.....	Piston Kit, RG4R01A/JR403E Low/Reverse Clutch (Does Not Use A Snap Ring #886 To Hold It To The Case)	1	
73567GA.....	Piston Kit, RG4R01A/JR403E Low/Reverse Clutch (Uses A Snap Ring #886 To Hold It To The Case).....	1	
73567Q.....	Piston Kit, RE4R03A Low/Reverse Clutch	1	
73574.....	Clutch Hub, RL4R01A/RE4R01A Forward (Less Sprag) 5 1/4"OD (Clutch Hub Is 1.330" Tall At Clutch Splines).....	1	
73574A.....	Clutch Hub, RE4R01A Forward (Less Sprag) 5 1/4"OD (Clutch Hub Is 1.180" Tall At Clutch Splines).....	1	
73574G.....	Clutch Hub, RE4R03A/RG4R01A/JR403E Forward (Less Sprag) 6"OD	1	269165E
93575A.....	Clutch Hub, RL4R01A/RE4R01A High Clutch (Cast Iron) Wide Teeth (Uses A .150" Thick Bearing #229) 1987-Up.....	1	
73575G.....	Clutch Hub, RE4R03A/RG4R01A/JR403E High (5 1/8"OD).....	1	26996G
73579.....	Clutch Hub, RL4R01A/RE4R01A Overrun (4 5/8"OD).....	1	31591-41X01
73579G.....	Clutch Hub, RE4R03A/RG4R01A/JR403E Overrun (5 5/16"OD)	1	31591-51X00
73582.....	Planet, RL4R01A/RE4R01A Front (3 Gear)(33 Teeth Front Sun Gear) With 1.885"OD Hub (2 Groove) 1987-Up	1	31420-41X08
73582A.....	Planet, RL4R01A/RE4R01A Front (3 Gear)(33 Teeth Front Sun Gear) With 1.885"OD Hub (No Groove) 1987-Up.....	1	
73582B.....	Planet, RL4R01A/RE4R01A Front (3 Gear)(33 Teeth Front Sun Gear) With 1.910"OD Hub (1 Groove) 1987-Up	1	
73582BA.....	Planet, RE4R01A Front (4 Gear)(33 Teeth Front Sun Gear) With 1.910"OD Hub 1998-Up	1	
73582G.....	Planet, RG4R01A/JR403E Front (40 Teeth Front Sun Gear) 33 Teeth On Pinions	1	50296
73582Q.....	Planet, RE4R03A Front (40 Teeth Front Sun Gear) 26 Teeth On Pinions.....	1	
73583.....	Planet Kit, RL4R01A/RE4R01A (37 Teeth Rear Sun Gear) Included # 622 To #594.....	1	JSWH7
73583B.....	Planet Kit, RL4R01A/RE4R01A (42 Teeth Rear Sun Gear) Includes #622 To #594 (42 Teeth Sun Gear With 4 Notches) (Shell Has 33 Teeth, 1.885"OD, 8 Lugs)	1	JWH11
73583BA.....	Planet Kit, RL4R01A/RE4R01A (42 Teeth Rear Sun Gear) Includes #622 To #594 (42 Teeth Sun Gear With 4 Notches) (Shell Has 33 Teeth, 1.910"OD, 8 Lugs)	1	
73583BB.....	Planet Kit, RL4R01A/RE4R01A (42 Teeth Rear Sun Gear) Includes #622 To #594 (42 Teeth Sun Gear With 4 Notches) (Shell Has 33 Teeth, 1.910"OD, 12 Lugs)	1	
73583G.....	Planet Kit, RG4R01A/JR403E (44 Teeth Rear Sun Gear) Includes #622 To #594	1	
73583Q.....	Planet Kit, RE4R03A (51 Teeth Rear Sun Gear) Includes #622 To #594	1	
73583QD.....	Planet Kit, RE4R03A (58 Teeth Rear Sun Gear) Includes #622 To #594.....	1	
73584.....	Planet, RL4R01A/RE4R01A Rear (4 Gear)(37 Teeth Rear Sun Gear) 2 Groove 1987-Up	1	31440-41X08
73584A.....	Planet, RL4R01A/RE4R01A Rear (37 Teeth Rear Sun Gear) No Groove	1	31440-41X04
73584B.....	Planet, RL4R01A/RE4R01A Rear (4 Gear)(42 Teeth Rear Sun Gear) No Groove 1987-Up.....	1	31440-41X13
73584C.....	Planet, RL4R01A/RE4R01A Rear (4 Gear)(42 Teeth Rear Sun Gear) 1 Groove 1987-Up	1	31440-41X10
73584D.....	Planet, RE4R01A Rear (5 Gear)(42 Teeth Rear Sun Gear) 1998-Up.....	1	
73584G.....	Planet, RG4R01A/JR403E Rear (44 Teeth Rear Sun Gear).....	1	31440-71X02
73584Q.....	Planet, RE4R03A Rear (51 Teeth Rear Sun Gear).....	1	31440-51X84
73584QD.....	Planet, RE4R03A Rear (58 Teeth Rear Sun Gear).....	1	
73592G.....	Ring Gear, RG4R01A/JR403E Front Planet (6 1/4"OD)	1	
73592Q.....	Ring Gear, RE4R03A Front Planet.....	1	
73594.....	Ring Gear, RL4R01A/RE4R01A Rear Planet (37 Teeth Rear Sun Gear) 2 Groove	1	31450-41X01
73594A.....	Ring Gear, RL4R01A/RE4R01A Rear Planet (37 Teeth Rear Sun Gear) No Groove	1	
73594B.....	Ring Gear, RL4R01A/RE4R01A Rear Planet (42 Teeth Rear Sun Gear) No Groove.....	1	
73594C.....	Ring Gear, RL4R01A/RE4R01A Rear Planet (42 Teeth Rear Sun Gear) 1 Groove	1	
73594G.....	Ring Gear, RG4R01A/JR403E Rear Planet (44 Teeth Rear Sun Gear)	1	50297
73594Q.....	Ring Gear, RE4R03A Rear Planet (51 Teeth Rear Sun Gear).....	1	
73614.....	Sun Gear, RL4R01A/RE4R01A Rear (37 Teeth) 2 Groove	1	
73614A.....	Sun Gear, RL4R01A/RE4R01A Rear (37 Teeth) No Groove	1	31469-41X01
73614B.....	Sun Gear, RL4R01A/RE4R01A Rear (42 Teeth) No Groove	1	31469-41X04
73614C.....	Sun Gear, RL4R01A/RE4R01A Rear (42 Teeth) 1 Groove.....	1	31469-41X02
73614G.....	Sun Gear, RG4R01A/JR403E Rear (44 Teeth).....	1	50296B
73614Q.....	Sun Gear, RE4R03A Rear (51 Teeth)	1	
73614QD.....	Sun Gear, RE4R03A Rear (58 Teeth)	1	
73622.....	Shell, RL4R01A/RE4R01A (With 33 Teeth Sun Gear) 1.885"OD (2 Groove)	1	
73622A.....	Shell, RL4R01A/RE4R01A (With 33 Teeth Sun Gear) 1.885"OD (No Groove).....	1	
73622B.....	Shell, RL4R01A/RE4R01A (With 33 Teeth Sun Gear) 1.910"OD (8 Lugs)	1	31460-41X02
73622C.....	Shell, RL4R01A/RE4R01A (With 33 Teeth Sun Gear) 1.910"OD (12 Lugs)	1	
73622G.....	Shell, RE4R03A/RG4R01A/JR403E (With 40 Teeth Sun Gear)	1	26998A
73630G.....	Support, RG4R01A/JR403E Front (Reverse Clutch Drum Support).....	1	

JATCO / NISSAN

RL4R01A / RE4R01A / RE4R03A / RG4R01A / JR403E



RWD 4 Speed

PART #	SPRAGS & ONE WAY CLUTCHES	QTY.	REFERENCE #
73656	Sprag, RL4R01A/RE4R01A Front (28 Elements)	1	
73656G	Sprag, RE4R03A/RG4R01A/JR403E Front (30 Elements)	1	
23658	Sprag, RL4R01A/RE4R01A/RG4R01A/JR403E Low Sprag (34 Elements)(.404" Wide Elements)	1	
73658A	Sprag, RL4R01A/RE4R01A Low Sprag (30 Elements) (.406" Wide Elements) 1987-Up	1	
73658Q	Sprag, RE4R03A/JR403E Low Sprag (30 Elements) (3 7/8" ID) (.530" Wide)	1	31473-41X02
73658QA	Sprag, RE4R03A/JR403E Low Sprag (34 Elements) (3 7/8" ID) (.530" Wide)	1	

PART #	HARD PARTS (Continued)	QTY.	REFERENCE #
73668	Rear Support, RL4R01A/RE4R01A (With 1 Lube Hole On Sprag Area)	1	
73668A	Rear Support, RL4R01A/RE4R01A (With 4 Lube Holes On Sprag Area)	1	
73668G	Rear Support, RE4R03A/RG4R01A/JR403E (With 4 Small O-Rings Between Support & Case) 2.441"OD Front Bushing Surface (Uses A Bushing #048) 3.602" Overall Length	1	31472-51X00
73668GA	Rear Support, RE4R03A/RG4R01A/JR403E (With 4 Small O-Rings Between Support & Case) 2.338"OD Front Bearing Surface (Uses A Bearing # 048) 3.602" Overall Length	1	
73668GB	Rear Support, RE4R03A/RG4R01A/JR403E (With 4 Small O-Rings Between Support & Case) 2.338"OD Front Bearing Surface (Uses A Bearing # 048) 3.559" Overall Length	1	
73668GC	Rear Support, RE4R03A/RG4R01A/JR403E (With 4 Small O-Rings Between Support & Case) 2.441"OD Front Bushing Surface (Uses A Bushing #048) 3.559" Overall Length	1	
73668GD	Rear Support, RE4R03A/RG4R01A/JR403E (With 3 Small O-Rings Between Support & Case) 2.441"OD Front Bushing Surface (Uses A Bushing # 048) 3.559" Overall Length	1	
73670	Input Shaft, RL4R01A/RE4R01A (12 3/8" Long) With 20 Splines On Converter End (No Electric Pick-Up In Middle Of Shaft)	1	
73670AA	Input Shaft, RL4R01A/RE4R01A (12 3/8" Long) With 20 Splines On Converter End (With Electric Pick-Up In Middle Of Shaft)	1	
73670AE	Input Shaft, RE4R01A (12 3/8" Long) With 18 Splines On Converter End	1	
73670G	Input Shaft, RG4R01A/JR403E (17 3/4" Long)	1	
73670Q	Input Shaft, RE4R03A (15" Long)	1	
73678	Output Shaft, RL4R01A/RE4R01A 4x4 (13 5/8" Long) With 30 Splines	1	
73678A	Output Shaft, RL4R01A/RE4R01A 4x4 (11 1/4" Long) With 25 Splines	1	
73678AA	Output Shaft, RL4R01A/RE4R01A 4x4 (13" Long) With 30 Splines	1	
73678B	Output Shaft, RL4R01A/RE4R01A 2WD (19 1/4" Long) Speed-O Gear Slides Off	1	
73678C	Output Shaft, RL4R01A/RE4R01A 2WD (19 1/4" Long) With 7 Teeth Speed-O Gear Made On Shaft	1	
73678CA	Output Shaft, RL4R01A/RE4R01A 2WD (19 1/4" Long) With 6 Teeth Speed-O Gear Made On Shaft	1	
73678G	Output Shaft, RG4R01A/JR403E 2WD (15 32/8" Long) With Bolt On Yoke	1	
73678Q	Output Shaft, RE4R03A 2WD (18 1/2" Long)	1	
73680A	Governor, RL4R01A	1	
73690	Park Gear, RE4R01A (No Governor Type) No Rings (Solid)	1	
73690A	Park Gear, RL4R01A (Governor Type) With 3 Sealing Rings	1	
73690G	Park Gear, RG4R01A/JR403E (6 1/2" Diameter) 1 3/16" Thick At Lugs	1	
73690Q	Park Gear, RE4R03A (Governor Type) No Rings (Notched Out)	1	
73740	Valve Body, RL4R01A (2 Solenoids) With T.V. Kickdown	1	
73740A	Valve Body, RE4R01A (5 Solenoids) With 3 Connectors	1	
73740AA	Valve Body, RE4R01A (5 Solenoids) With 4 Connectors	1	
73740AB	Valve Body, RE4R01A (1 Solenoid) 4 Cylinder Truck	1	
73740AE	Valve Body, RE4R01A (6 Solenoids) With 3 Connectors	1	
73740G	Valve Body, RG4R01A/JR403E (5 Solenoids)	1	
73740Q	Valve Body, RE4R03A	1	
73740R	Valve Body, RE5R01A (6 Solenoids) With 2 Connectors	1	
73750	Bell Housing, RL4R01A/RE4R01A (4 3/8" Top Bolts) Starter At 8:00 (Cast # 301) Has A Crank Sensor In The Bell 1990-Up	1	
73750A	Bell Housing, RL4R01A/RE4R01A (4 3/8" Top Bolts) Starter At 8:00 (Cast #301) Has No Crank Sensor In The Bell 1990-Up	1	
73750AA	Bell Housing, RL4R01A/RE4R01A (4 3/8" Top Bolts) Starter At 9:00 (Cast #ZV)	1	
73750AC	Bell Housing, RL4R01A/RE4R01A (1988-89 All & 1990-Up 6 Cylinder)	1	
73750B	Bell Housing, RL4R01A/RE4R01A (4 3/8" Top Bolts) Starter At 10:00 (Cast #TA-1) 1990-Up	1	
73750C	Bell Housing, RE4R01A (4 3/8" Top Bolts) Square Starter Hole At 8:00 (With 2 Threaded Bosses Behind Starter) Cast #VG#1	1	
73750D	Bell Housing, RL4R01A/RE4R01A (2 13/16" Top Bolts) Starter At 8:00 (Cast #BM003)	1	
73750DA	Bell Housing, RL4R01A/RE4R01A (2 13/16" Top Bolts) Starter At 8:00 (Cast #BV11)	1	
73750G	Bell Housing, RG4R01A/Jr403E (5 5/8") 8 Bolts To Case (No Starter)	1	
73750GA	Bell Housing, RG4R01A (5 5/8") 8 Bolts To Case (Starter At 2:00)	1	
73750GD	Bell Housing, RG4R01A (7 3/8") 8 Bolts To Case (Starter At 3:00)	1	
73750GJ	Bell Housing, RG4R01A (8 1/2") 9 Bolts To Case (Starter At 1:00)	1	
73750Q	Bell Housing, RE4R03A (6 1/4" Top Bolts) Starter At 9:00 (Cast #NX #1)	1	
73750QA	Bell Housing, RE4R03A (6 1/4" Top Bolts) Starter At 3:00 (Cast #NX #2) 2WD	1	

JATCO / NISSAN



RL4R01A / RE4R01A / RE4R03A / RG4R01A / JR403E

RWD 4 Speed

73760A	Case, RE4R01A (With Vent On Top Rear Of Case) 1990-Up	1	
73760AA	Case, RE4R01A (With Sensor Thru Case At Pump Area)	1	
73760B	Case, RE4R01A (With Vent On Top Front Of Case) 1990-Up	1	
73760C	Case, RL4R01A (Has Steel Sleeve In Rear For Governor Bore)	1	
73760G	Case, RG4R01A/JR403E (18 5/8") 8 Bolts To Bell (With PTO)	1	
73760GA	Case, RG4R01A (18 5/8") 9 Bolts To Bell (With PTO)	1	
73760Q	Case, RE4R03A (15 1/2" Long) With Speed Sensor In Pump	1	
73760QA	Case, RE4R03A (15 1/2" Long) No Speed Sensor In Pump	1	
73760R	Case, RE5R01A (With Vent On Top Rear)	1	

PART #	CASE COMPONENTS	QTY.	REFERENCE #
73761A-2	Sleeve, Governor Bore 1987-89 (Non Electronic Units Only)	1	

PART #	HARD PARTS (Continued)	QTY.	REFERENCE #
73763G	Brake Drum, RG4R01A/JR403E Parking Brake (ON Extension Housing)	1	
73765	Pan, RL4R01A/RE4R01A (2.520" Deep) 18 Holes (No Drain)	1	
73765A	Pan, RE4R01A (2.350" Deep) 18 Holes (With Drain)	1	
73765B	Pan, RE4R01A 4x4 (3.410" Deep) With Skid Plate	1	
73765G	Pan, RG4R01A/JR403E	1	
73765Q	Pan, RE4R03A (2WD)	1	
73770	Extension Housing, RL4R01A/RE4R01A 2WD (11 1/2" Long) Speed-O Hole Is 5 3/4" From Seal To Center Of Speed-O Hole	1	
73770A	Extension Housing, RL4R01A/RE4R01A 2WD (11 1/2" Long) Speed-O Hole Is 5" From Seal To Center Of Speed-O Hole	1	
73770AA	Extension Housing, RL4R01A/RE4R01A 2WD (8 3/4" Long) 4 Bolt Mount On Top	1	
73770AC	Extension Housing, RE4R01A/RE4R03A 2WD (5" Long) 2 Bolt Mount On Top & 2 Bolt Mount On Bottom (With Speed-O Hole & Sensor Hole)	1	
73770B	Extension Housing, RL4R01A/RE4R01A 4x4 (5 1/8" Long)	1	
73770BA	Extension Housing, RL4R01A/RE4R01A 4x4 (6 5/16" Long)	1	
73770G	Extension Housing, RG4R01A/JR403E 2WD (6 1/8" Long)	1	
73770GB	Extension Housing, RG4R01A 2WD (6 1/8" Long) With 3 Bolt Mount On Top	1	
73770GD	Extension Housing, RG4R01A 2WD (6 1/8" Long) With 4 Bolt Mount On Top	1	
73770Q	Extension Housing, RE4R03A 2WD (11" Long) Cast #1A	1	
73770R	Extension Housing, RE5R01A 2WD (13 1/4" Long)	1	
73776K	Bolt Set, RL4R01A/RE4R01A Bell To Case	1	
73778K	Bolt Set, RL4R01A/RE4R01A Pump Body To Stator	1	
73779K	Bolt Set, RL4R01A/RE4R01A Pan To Case	1	
73781K	Bolt Set, RL4R01A/RE4R01A Case To Extension Housing	1	
73782K	Bolt Set, RL4R01A/RE4R01A Valve Body To Case	1	
73790K	Bolt Set, RL4R01A Rear Support To Case	1	
73790AK	Bolt Set, RE4R01A Rear Support To Case	1	
73791K	Bolt Set, RL4R01A/RE4R01A Overdrive Servo Cover	1	
73800G	Top Drive Gear, RG4R01A/JR403E (PTO Gear)	1	
73847G	Gear, RG4R01A/JR403E Speed-O Drive (5 Teeth)	1	
73853	Cushion Spring, RL4R01A/RE4R01A Forward Clutch	1	
73853G	Cushion Spring, RE4R03A/RG4R01A/JR403E Forward Clutch	1	
73854	Cushion Spring, RL4R01A/RE4R01A Reverse Clutch	1	
73854G	Cushion Spring, RE4R03A/RG4R01A/JR403E Reverse Clutch	1	
73854K	Drum Saver Kit, RE4R01A Reverse 1988	1	
73854AK	Drum Saver, RE4R01A Reverse 1993-Up	1	
73856	Cushion Spring, RL4R01A/RE4R01A Overrun Clutch	1	
73856G	Cushion Spring, RE4R03A/RG4R01A/JR403E Overrun Clutch	1	
73857	Cushion Spring, RL4R01A/RE4R01A Low/Reverse Clutch	1	
73857G	Cushion Spring, RE4R03A/RG4R01A/JR403E Low/Reverse Clutch	1	
73870	Snap Ring, RL4R01A/RE4R01A Holds Overrun Pressure Plate In Drum	1	
73876	Snap Ring, RL4R1A/RE4R01A Holds Forward Pressure Plate In Drum	1	
73877	Snap Ring, RL4R01A/RE4R01A Holds Forward Clutch Retainer In Drum (.039" Thick) (2.960"OD)	1	
73878	Snap Ring, RL4R01A/RE4R01A Holds High Pressure Plate In Drum (Use 93878)	1	
93878	Snap Ring, RL4R01A/RE4R01A High Drum (.078" Thick) Flat (5 9/16"OD)	1	
93878AA	Snap Ring, RL4R01A/RE4R01A High Drum (.078" Thick) Flat (5 3/8"OD)	1	
73879	Snap Ring, RL4R01A/RE4R01A Holds High Clutch Retainer In Drum	1	
73881	Snap Ring, RL4R01A/RE4R01A Holds Front Sprag In Forward Hub (.042" Thick)(3.325"OD)	2	
73883	Snap Ring, RL4R01A/RE4R01A Front Planet Stop	1	
73885	Snap Ring, RL4R01A/RE4R01A Holds Low/Reverse Pressure Plate In Case (.080" Thick) (6.165"OD) 1987-Up	1	
73888	Snap Ring, RL4R01A/RE4R01A Holds Rear Planet To Output Shaft	1	
73889	Snap Ring, RL4R01A/RE4R01A Holds Bearing #235 To Forward Drum	1	

JATCO / NISSAN

RL4R01A / RE4R01A / RE4R03A / RG4R01A / JR403E



RWD 4 Speed

PART #	HARD PARTS (Continued)	QTY.	REFERENCE #
73890	Snap Ring, RL4R01A/RE4R01A Holds Low Sprag In Forward Drum (.039" Thick)(4.100"OD) 1987-Up	1	
73892	Snap Ring, RL4R01A/RE4R01A Holds Reverse Clutch Pressure Plate In Drum	1	
73893	Snap Ring, RL4R01A/RE4R01A Holds Reverse Clutch Retainer In Drum	1	
73894	Snap Ring, RL4R01A/RE4R01A Holds Park Gear To Output Shaft	1	
73900	Servo Assembly, RL4R01A/RE4R01A Overdrive	1	
73900G	Servo Assembly, RG4R01A/JR403E Overdrive (Cast # 71X00)	1	
73900QC	Servo Assembly, RE4R03A Overdrive (Cast #51X02) 4.098"OD Piston	1	
73900QD	Servo Assembly, RE4R03A Overdrive (Cast #51X03) 4.651"OD Piston	1	
73901	Spring, RL4R01A/RE4R01A Overdrive Servo	1	
73902	Piston, RL4R01A/RE4R01A Overdrive Servo	1	
73903	Pin, RL4R01A/RE4R01A Overdrive Servo	1	
73904	Cover, RL4R01A/RE4R01A Overdrive Servo	1	
73907	Retainer, RL4R01A/RE4R01A Overdrive Servo Cover	1	
73917	Strut, RL4R01A/RE4R01A/RE4R03A/RG4R01A/JR403E Overdrive Band	1	
73918	Adjustment Screw, RL4R01A/RE4R01A Overdrive Band (2" Long)	1	
73918G	Adjustment Screw, RG4R01A/JR403E Overdrive Band (2 3/4" Long)	1	
73920	Adjustment Nut, RL4R01A/RE4R01A Overdrive Band	1	
73920G	Adjustment Nut, RG4R01A/JR403E Overdrive Band	1	
73925	Accumulator Assembly, RL4R01A/RE4R01A With Springs	1	
73925G	Accumulator Assembly, RG4R01A/JR403E With Springs	1	
73964	Piston, RL4R01A/RE4R01A Forward Clutch	1	
73965	Piston, RL4R01A/RE4R01A High Clutch	1	
73966	Piston, RL4R01A/RE4R01A Reverse Clutch	1	
73967	Piston, RL4R01A/RE4R01A Low/Reverse Clutch	1	
73967G	Piston, RG4R01A/JR403E Low/Reverse Clutch (.710" Thick At Edge) 1988-Up	1	
73969	Piston, RL4R01A/RE4R01A Overrun Clutch	1	
73974	Spring, RL4R01A/RE4R01A Forward Clutch Return (4.265"OD)(2.840"ID) 1987-Up	1	
73975	Spring, RL4R01A/RE4R01A High Clutch Return	1	
73976	Spring, RL4R01A/RE4R01A Reverse Clutch Return	1	
73977	Spring, RL4R01A/RE4R01A Low/Reverse Clutch Return	1	
73984	Retainer, RL4R01A/RE4R01A Forward Clutch Spring	1	
73985	Retainer, RL4R01A/RE4R01A High Clutch Spring	1	
73986	Retainer, RL4R01A/RE4R01A Reverse Clutch Spring	1	
73987	Retainer, RL4R01A/RE4R01A Low/Reverse Clutch Spring	1	
73991	Linkage, RL4R01A/RE4R01A Internal	1	
73991G	Linkage, RG4R01A/JR403E Internal	1	
73992	Shift Lever, RL4R01A/RE4R01A (Outside) Goes Through Case	1	
73992P	Pin, RL4R01A/RE4R01A Holds Shift Lever In Case	1	
73995	Park Pawl Assembly, RL4R01A/RE4R01A (.470" Thick Park Pawl) 7 Pieces	1	
73995A	Park Pawl Assembly, RL4R01A/RE4R01A (.320" Thick Park Pawl) 7 Pieces	1	
73995G	Park Pawl Assembly, RG4R01A (JR403E)	1	
73996	Cooler Line Fitting, RL4R01A/RE4R01A	1	
73998K	Cooler Replacement Kit, RE4R01A	1	21606-15V25

JATCO / NISSAN



RL4R01A / RE4R01A / RE4R03A / RG4R01A / JR403E

RWD 4 Speed

JATCO / NISSAN